

Read and understand these instructions before installing luminaire.

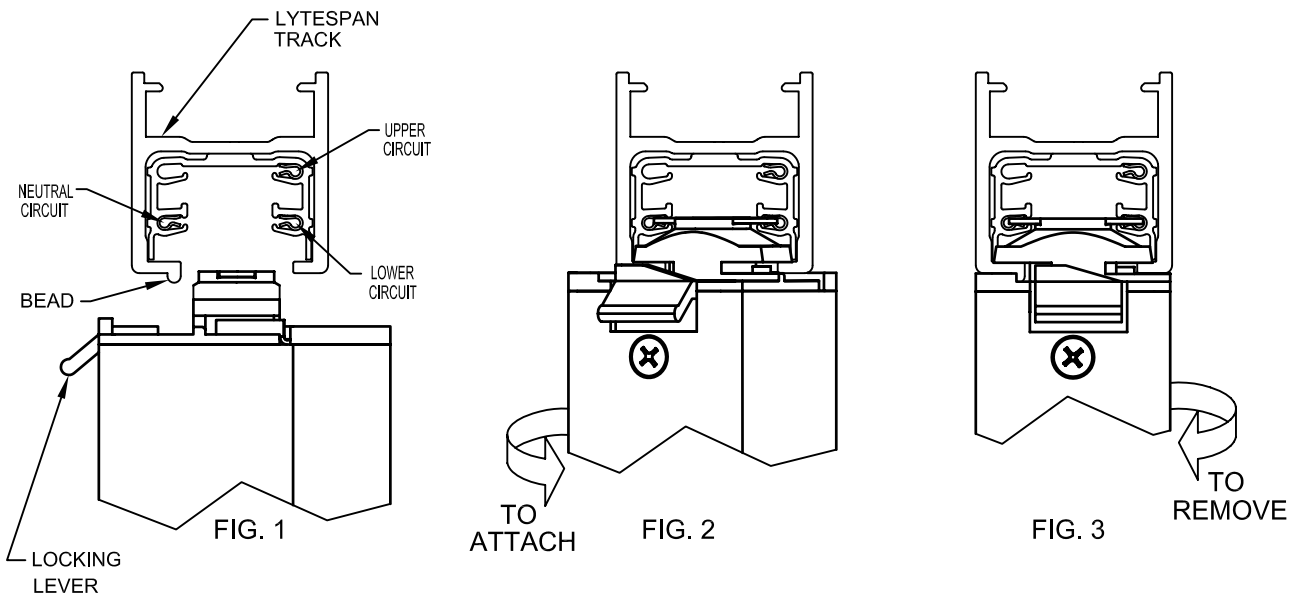
This luminaire is intended for installation in accordance with the National Electrical Code and local regulations. To assure full compliance with local codes and regulations, check with your local electrical inspector before installation. To prevent electrical shock, turn off electricity at fuse box before proceeding.

Retain these instructions for maintenance reference.

INSTRUCTIONS FOR ATTACHING SOF-TECH[®] LOW VOLTAGE TO LYTESPAN[®] TRACK FOR USE WITH LYTESPAN TRACK SYSTEMS ONLY

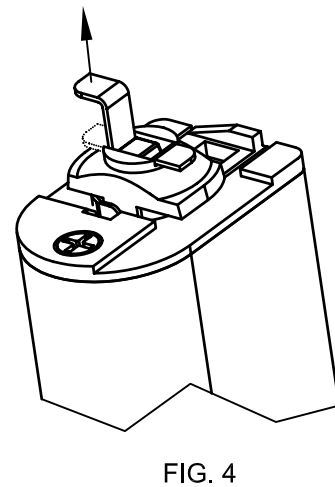
INSTRUCTIONS FOR ATTACHING SOF-TECH[®] LOW VOLTAGE TO LYTESPAN TRACK SYSTEMS

1. Insert into LYTESPAN TRACK (See Fig. 1). LOCKING LEVER must be on the same side of track as the bead.
2. Rotate FITTING 90° clockwise (See Fig. 2).
3. Rotate FITTING until LOCKING LEVER snaps and locks in place (See Fig. 3).
4. To remove: depress LOCKING LEVER, then rotate FITTING 90° counterclockwise (See Fig. 3).



INSTRUCTIONS FOR CONVERTING SOF-TECH[®] LOW VOLTAGE ATTACHMENT FITTING TO OPERATE ON 2 CIRCUIT ADVENT TRACK

1. The BRASS CONTACT can be raised or lowered. In the lowered position, as indicated by the broken line, the contacts are aligned for use with a 1 circuit track system or the lower circuit of a 2 circuit track system. (See Fig. 4)
2. To convert the fixture for use in the upper circuit of a 2 circuit track system, raise the BRASS CONTACT to the high position, by lifting the CONTACT as high as it can go until it stops. At the correct raised position, the CONTACT clicks into place. (See Fig. 4)

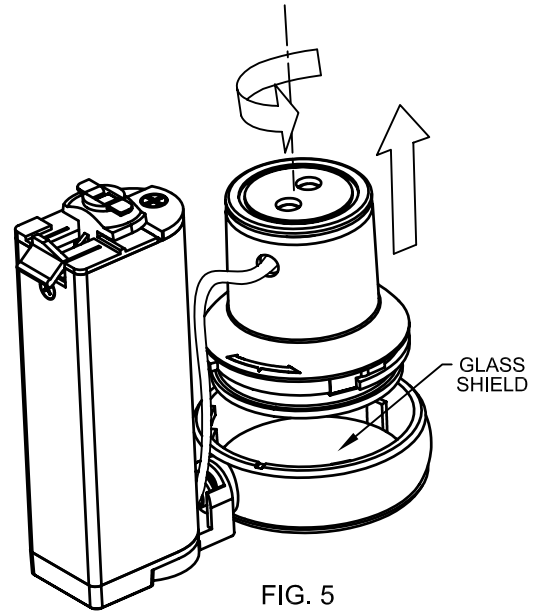


CAUTION: USE ONLY LAMP WATTAGE AND TYPE AS MARKED ON LUMINAIRE.

INSTRUCTIONS FOR LAMPING AND ADJUSTING SOF-TECH[®] LOW VOLTAGE FIXTURE

INSTRUCTIONS FOR LAMPING.

1. CHECK TO SEE THAT POWER IS OFF WHEN LAMPING OR RELAMPING. MAKE CERTAIN THAT THE FIXTURE IS COOL.
2. Remove HOUSING by turning it counterclockwise until it stops, and then pull the HOUSING away from the RING (See Fig. 5).
3. Remove the lamp by pulling it straight out of the HOUSING, thereby removing the lamp pins from the lampholder.
4. To replace the lamp, insert the LAMP PINS into the SOCKET HOLES (See Fig. 6).
5. After the lamp is installed, replace the HOUSING by aligning the arrow on the HOUSING with the notch on the RING, push the HOUSING into the RING, and turn the HOUSING clockwise until the HOUSING stops (See Fig. 7).
6. To aim fixture, hold by the INSULATOR RING and rotate the fixture as shown (See Fig. 7)



NOTE: USE ONLY 12V MR-16 BI-PIN LAMP, 50 WATTS MAX., OR MR-16 IR LAMP, 37W MAX.

CAUTION: USE ONLY LAMP WATTAGE AND TYPE AS MARKED ON LUMINAIRE.

CAUTION: A GLASS SHIELD MUST BE IN FRONT OF LAMP. DO NOT REMOVE. REPLACE IF MISSING OR DAMAGED.

