

Project: _____

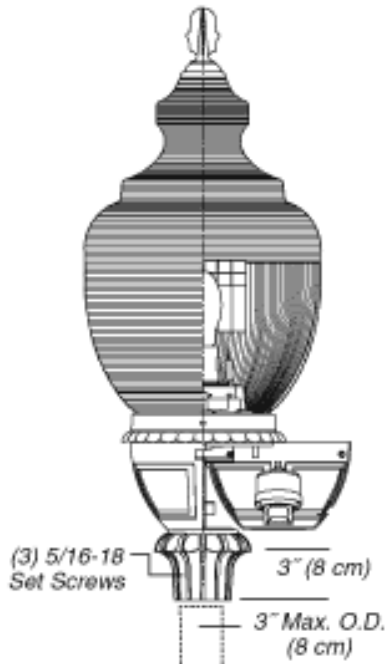
Location: _____

Cat.No: _____

Type: _____

Lamps: _____ Qty: _____

Notes: _____



Ordering Guide

Example: R34 A A B A 1 A D N D 70H E

Product Code	R34	Refractive	
Fitter/Pod	A	Octagonal Style	
	B	Round fitter w/ scalloped petals	
	C	Fluted tapered hourglass	
	D	Smooth tapered hourglass	
	E	Tapered fluted w/ scalloped petals	
	F	Short round fluted	
	G	Tall round fluted	
	H	Round contemporary	
	J	Tapered Fluted w/ round stepped fitter	
	L	Round fluted long	
T	Decorative Leaf w/ scalloped petals		
Roof	A	Victorian	
	B	Acorn	
	C	Tall	
	D	Short	
	G	Adams	
Cage / Band	B	Cage for Wide Body Globe	*1
	E	Band for Wide Body Globe	
	F	Band for Wide Body Globe	
	G	Cage for Wide Body Globe	*1
	I	Cage for Wide Body Globe	*1
	J	Cage for Wide Body Globe	*1
	N	None	
Finial	A	A Finial	
	B	B Finial	
	C	C Finial	*2
	D	D Finial	*2
	E	E Finial	*2
	F	F Finial	
	G	G Finial	
	H	H Finial	
	N	None	
Fasteners	1	Hex Head	
	2	Allen Head	
Finish	A	Black	
	B	White	
	G	Verde	
	H	Bronze	
	J	Green	
Reflector	D	Small Top Reflector	
	F	Small top reflector w/House-side shield	
	G	Full Top Reflector w/House-side shield	
	H	House Side Shield	
	L	Internal Louver Assembly	*3
	T	Full Top Reflector	
	N	None	
Photo Control	N	None	
	B	Button Eye Photo Control	
	R	Twist-lock Receptacle	*4

R34 Refractive

Post top

Specifications

Socket	D	Medium	*5
	G	Mogul	*5
	R	Induction	*6
Wattage	70H	70W MH	*7
	100H	100W MH	
	150H	150W PMH	
	250H	250W PMH	
	320H	320W PMH	
	50S	50W HPS	
	70S	70W HPS	
	100S	100W HPS	
	150S	150W HPS	
		200S	
	250S	250W HPS	*7
	310S	310W HPS	*7
	55R	55W Induction	*6
	85R	85W Induction	*6
	165R	165W Induction	*6
Voltage	E	120V	*8
	F	208V	
	G	240V	
	H	277V	
	K	347V	

*1 Not available with (A) pod.

*2 Cannot be used with (B) roof.

*3 Cannot be used with Induction Lamping.

*4 Twistlock photocell receptacle (R) is available in (A), (G), (H), and (J) pod up to 150W HPS and 200W MH. Pods (B), (L), and (T) available in all wattages. Not available in other pods.

*5 Medium base (D) socket available for 70W-175W MH, 50W-150W HPS. Mogul base (G) socket available for 150W-320W MH, 50W-310W HPS.

*6 Consult factory if ordering Induction socket (R) and wattages.

*7 Available in (A), (B), (E), (G), (H), (L), and (T) pods.

*8 347V (K) not available for (200S).

HOUSING:

OPTIONAL PODS:

A: Octagonal style fitter is constructed of die-cast 360 aluminum alloy with bottom-hinged door providing 135o entry into the fitter assembly for easy access to the electrical components. Accepts standard HADCO Twistlock ballast assemblies up to 310W HPS or 320W MH. Wiring block to accept three #8 solid or stranded wires. Optional internal twist-lock photo eye receptacle (available for 200W MH max or 150W HPS max) or optional button eye photocell. Easy access to photo eye through the door on the pod. Heavy cast aluminum post fitter utilizes four 5/16-18 black cadmium stainless steel set screws (Hex head or Allen head as specified) for mounting to 3" O.D. post tenon. Globe holder has an internal water trap to prevent water from entering ballast compartment. Globe is held by utilizing four 5/16-18 black cadmium stainless steel fasteners (Hex head or Allen head as specified). All hardware to be stainless steel and captive. Pod height is 10-3/4" and width is 10-1/4". Finish is polyester thermoset powdercoat.

B: Round fitter with scalloped petals is constructed of die-cast 360 aluminum alloy with side-hinged door providing 180o entry into the fitter assembly for easy access to the electrical components. Accepts standard HADCO Twistlock ballast assemblies up to 310W HPS or 320W MH. Wiring block to accept three #8 solid or stranded wires. Optional internal twist-lock photo eye receptacle or optional button eye photocell. Easy access to photo eye through the door on the pod. Heavy cast aluminum post fitter utilizes four 5/16-18 black cadmium stainless steel set screws (Hex head or Allen head as specified) for mounting to 3" O.D. post tenon. Globe holder has an internal water trap to prevent water from entering ballast compartment. Globe is held by utilizing four 5/16-18 black cadmium stainless steel fasteners (Hex head or Allen head as specified). All hardware to be stainless steel and captive. Pod height is 12-1/4" and width is 11-1/2". Finish is polyester thermoset powdercoat.

C: Fluted tapered hourglass fitter is constructed of 356 HM High-Strength, Low-Copper cast aluminum. Accepts standard HADCO Twistlock ballast assemblies up to 150W HPS or 200W MH. Wiring block to accept three #8 solid or stranded wires. Optional internal button eye photocell. Heavy cast aluminum post fitter utilizes four 5/16-18 black cadmium stainless steel set screws (Hex head or Allen head as specified) for mounting to 3" O.D. post tenon. Globe holder has an internal water trap to prevent water from entering ballast compartment. Globe is held by utilizing four 5/16-18 black cadmium stainless steel fasteners (Hex head or Allen head as specified). All hardware to be stainless steel and captive. Pod height is 8" and width is 8-3/4". Finish is polyester thermoset powdercoat.

D: Smooth tapered hourglass fitter is constructed of 356 HM High-Strength, Low-Copper cast aluminum. Accepts standard HADCO Twistlock ballast assemblies up to 150W HPS or 200W MH. Wiring block to accept three #8 solid or stranded wires. Optional internal button eye photocell. Heavy cast aluminum post fitter utilizes four 5/16-18 black cadmium stainless steel set screws (Hex head or Allen head as specified) for mounting to 3" O.D. post tenon. Globe holder has an internal water trap to prevent water from entering ballast compartment. Globe is held by utilizing four 5/16-18 black cadmium stainless steel fasteners (Hex head or Allen head as specified). All hardware to be stainless steel and captive. Pod height is 8" and width is 9-1/4". Finish is polyester thermoset powdercoat.

R34 Refractive

Post top

Specifications

HOUSING:

OPTIONAL PODS:

E: Tapered fluted fitter with scalloped flower petals is constructed of 356 HM High-Strength, Low-Copper cast aluminum. Accepts standard HADCO Twistlock ballast assemblies up to 310W HPS or 320W MH. Wiring block to accept three #8 solid or stranded wires. Optional internal button eye photocell. Heavy cast aluminum post fitter utilizes four 5/16-18 black cadmium stainless steel set screws (Hex head or Allen head as specified) for mounting to 3" O.D. post tenon. Globe holder has an internal water trap to prevent water from entering ballast compartment. Globe is held by utilizing four 5/16-18 black cadmium stainless steel fasteners (Hex head or Allen head as specified). All hardware to be stainless steel and captive. Pod height is 10" and width is 11-1/2". Finish is polyester thermoset powdercoat.

F: Short Round fluted fitter is constructed of die-cast 360 aluminum alloy. Accepts standard HADCO Twistlock ballast assemblies up to 150W HPS or 200W MH. Wiring block to accept three #8 solid or stranded wires. Optional internal button eye photocell. Heavy cast aluminum post fitter utilizes four 5/16-18 black cadmium stainless steel set screws (Hex head or Allen head as specified) for mounting to 3" O.D. post tenon. Globe holder has an internal water trap to prevent water from entering ballast compartment. Globe is held by utilizing four 5/16-18 black cadmium stainless steel fasteners (Hex head or Allen head as specified). All hardware to be stainless steel and captive. Pod height is 7-1/2" and width is 9-1/4". Finish is polyester thermoset powdercoat.

G: Tall Round fluted fitter is constructed of die-cast 360 aluminum alloy with removable door providing entry into the fitter assembly for easy access to the electrical components. Accepts standard HADCO Twistlock ballast assemblies up to 310W HPS or 320W MH. Wiring block to accept three #8 solid or stranded wires. Optional internal button eye photocell. Easy access to photo eye through the door on the pod. Heavy cast aluminum post fitter utilizes four 5/16-18 black cadmium stainless steel set screws (Hex head or

Allen head as specified) for mounting to 3" O.D. post tenon. Globe holder has an internal water trap to prevent water from entering ballast compartment. Globe is held by utilizing four 5/16-18 black cadmium stainless steel fasteners (Hex head or Allen head as specified). All hardware to be stainless steel and captive. Pod height is 9" and width is 9". Finish is polyester thermoset powdercoat.

H: Round contemporary fitter is constructed of 356 HM High-Strength, Low-Copper cast aluminum. Accepts standard HADCO Twistlock ballast assemblies up to 310W HPS or 320W MH. Wiring block to accept three #8 solid or stranded wires. Optional internal twist-lock photo eye receptacle (available for 200W MH max or 150W HPS max) or optional internal button eye photocell. Easy access to photocell through tool-less door on pod. Heavy cast aluminum post fitter utilizes four 5/16-18 black cadmium stainless steel set screws (Hex head or Allen head as specified) for mounting to 3" O.D. post tenon. Globe holder has an internal water trap to prevent water from entering ballast compartment. Globe is held by utilizing four 5/16-18 black cadmium stainless steel fasteners (Hex head or Allen head as specified). All hardware to be stainless steel and captive. Pod height is 10" and width is 10". Finish is polyester thermoset powdercoat.

J: Tapered fluted fitter with round stepped fitter is constructed of 356 HM High-Strength, Low-Copper cast aluminum. Accepts standard HADCO Twistlock ballast assemblies up to 250W HPS or 250W MH. Wiring block to accept three #8 solid or stranded wires. Optional internal twist-lock photo eye receptacle. Tool-less access to photo eye through the door on the pod. Heavy cast aluminum post fitter utilizes six 5/16-18 black cadmium stainless steel set screws (Hex head or Allen head as specified) for mounting to 3" O.D. post tenon. Globe holder has an internal water trap to prevent water from entering ballast compartment. Globe is held by utilizing four 5/16-18 black cadmium stainless steel fasteners (Hex head or Allen head as specified). All hardware to be stainless steel and captive. Pod height is 14" and width is 10". Finish is polyester thermoset powdercoat.

L: Round fluted long fitter is constructed of 356 HM High-Strength, Low-Copper cast aluminum with a side-hinged door providing entry into the fitter assembly for easy access to the electrical components. Accepts standard Hadco Twistlock ballast assemblies up to 310W HPS or 320W MH. Wiring block to accept three #8 solid or stranded wires. Optional internal twist-lock photo eye receptacle or button eye photocell. Tool-less access to photo eye through the door on the pod. Heavy cast aluminum post fitter utilizes three 5/16-18 black cadmium stainless steel set screws (Hex head or Allen head as specified) for mounting to 3" O.D. post tenon. Globe holder has an internal water trap to prevent water from entering the ballast compartment. Globe is attached using four 5/16-18 black cadmium stainless steel fasteners (Hex head or Allen head as specified). Pod height is 12-1/2" and width is 10-3/4". Finish is polyester thermoset powdercoat.

T: Decorative Leaf fitter with scalloped petals is constructed of 356 HM High-Strength, Low-Copper cast aluminum with side-hinged door providing 180° entry into the fitter assembly for easy access to the electrical components. Accepts standard HADCO Twistlock ballast assemblies up to 310W HPS or 320W MH. Wiring block to accept three #8 solid or stranded wires. Optional internal twist-lock photo eye receptacle or optional button eye photocell. Easy access to photo eye through the door on the pod. Heavy cast aluminum post fitter utilizes four 5/16-18 black cadmium stainless steel set screws (Hex head or Allen head as specified) for mounting to 3" O.D. post tenon. Globe holder has an internal water trap to prevent water from entering ballast compartment. Globe is held by utilizing four 5/16-18 black cadmium stainless steel fasteners (Hex head or Allen head as specified). All hardware to be stainless steel and captive. Pod height is 15-1/4" and width is 11-1/2". Finish is polyester thermoset powdercoat.

ROOF:

A: Victorian style roof is clear injection molded U.V. stabilized acrylic with 99 horizontal prisms for a soft, even glow. 13" height and 16-1/2" width. The roof and bottom globe sections are secured in a slip-fit, 1/2" overlap design and use four #10-24 stainless steel pan head screws with four aluminum nutserts providing a mechanical lock and enabling easy future replacement of either the roof or bottom globe section if required.

B: Acorn style roof is clear injection molded U.V. stabilized acrylic with 74 horizontal prisms for a soft, even glow. 9-1/2" height and 16-3/4" width. The roof and bottom globe sections are secured in a slip-fit, 1/2" overlap design and use four #10-24 stainless steel pan head screws with four aluminum nutserts providing a mechanical lock and enabling easy future replacement of either the roof or bottom globe section if required.

C: Roof is 0.060" thick spun aluminum. 12" height and 17" width. The roof and bottom globe sections are secured in a slip-fit, 1/2" overlap design and use four #10-24 stainless steel pan head screws with four aluminum nutserts providing a mechanical lock and enabling easy future replacement of either the roof or bottom globe section if required. Finish is polyester thermoset powdercoat.

D: Roof is 0.090" thick spun aluminum. 8-1/2" height and 16-1/2" width. The roof and bottom globe sections are secured in a slip-fit, 1/2" overlap design and use four #10-24 stainless steel pan head screws with four aluminum nutserts providing a mechanical lock and enabling easy future replacement of either the roof or bottom globe section if required. Finish is polyester thermoset powdercoat.

R34 Refractive

Post top

Specifications

HOUSING:

OPTIONAL PODS:

G: Roof is 0.080" thick spun aluminum. 10-1/2" height and 16-3/4" width. The roof and bottom globe sections are secured in a slip-fit, 1/2" overlap design and use four #10-24 stainless steel pan head screws with four aluminum nutserts providing a mechanical lock and enabling easy future replacement of either the roof or bottom globe section if required. Finish is polyester thermoset powdercoat.

CAGES AND BANDS:

B: Cage for Wide body globes (16-1/2" dia.) is constructed of die-cast 360 aluminum alloy. Cage has 4 legs each with square decorative flower block. Solid rectangular band around top of cage. Height of cage is 15" and width of cage is 20". Finish is polyester thermoset powdercoat. (NOTE: Cannot be used with "A" Pod.)

E: Band for Wide body globes (16-1/2" dia.) is architectural slotted aluminum. Supported at 4 points by cast aluminum square flower blocks. Finish is polyester thermoset powdercoat.

F: Band for Wide body globes (16-1/2" dia.) is architectural slotted aluminum supported at 4 points by cast aluminum round flower blocks. Finish is polyester thermoset powdercoat.

G: Cage for Wide body globes (16-1/2" dia.) is constructed of 356 HM High-Strength, Low-Copper cast aluminum. Arched, decorative legs are welded to form a one-piece unit. Height of cage is 13" and width of cage is 18-1/2". Finish is polyester thermoset powdercoat. (NOTE: Cannot be used with "A" Pod.)

I: Cage for Wide body globes (16-1/2" dia.) is constructed of 356 HM High-Strength, Low-Copper cast aluminum. Cage has 2 curved legs. Solid fluted band around top of cage. Height of cage is 14-1/2" and width of cage is 19-3/4". Finish is polyester thermoset powdercoat. (NOTE: Cannot be used with "A" Pod.)

J: Cage for Wide body globes (16-1/2" dia.) is constructed of 356 HM High-Strength, Low-Copper cast aluminum. Cage has 4 curved legs. Solid fluted band around top of cage. Height of cage is 14-1/2" and width of cage is 19-3/4". Finish is polyester thermoset powdercoat. (NOTE: Cannot be used with "A" Pod.)

FINIALS:

All finials are cast aluminum mounted with 1/4-20 stainless steel threaded studs. Standard finial finish will match fixture finish as specified. Finish is thermoset powdercoat. (NOTE: C, D, and E finials are not available with "B" Roof.)

FASTENERS:

Used to secure post fitter to post tenon and globe to globe holder.

1: Hex Head Bolts: Black cadmium stainless steel.

2: Allen Head Bolts: Black cadmium stainless steel.

FINISH:

Thermoset polyester powdercoat is electrostatically applied after a five-stage conversion cleaning process and bonded by heat fusion thermosetting. Laboratory tested for superior weatherability and fade resistance in accordance with ASTM B117 specifications. For larger projects where a custom color is required, contact the factory for more information.

OPTICAL ASSEMBLY:

GLOBE AND OPTICAL ASSEMBLY:

Type V Wide body globe is constructed of clear injection-molded U.V. stabilized acrylic. A two-piece (Globe and Roof) slip-fit, 1/2" overlap, design utilizes nutserts and stainless steel fasteners, which eliminates a "butt-glue" seam appearance. The optical section of the globe has a neck opening of 7-3/8" and an outside neck diameter of 8". Globe (less the roof) has a 12-7/8" height and 16-3/4" width at the top with 98 horizontal prisms and 360 highly polished vertical prisms.

REFLECTORS AVAILABLE:

D: Small Top Reflector: Top reflector is 0.04" thick #3003 aluminum alloy. Diameter is 6-1/2" and Height is 3". Precision formed, highly polished specular aluminum finish. Mounted horizontally to control uplight. Tool-less attachment of reflector bracket to socket with stainless steel spring clip.

F: Small Top Reflector with House Side Shield: Top reflector is 0.04" thick #3003 aluminum alloy. Diameter is 6-1/2" and Height is 3". Side reflector is 0.02" thick. Precision formed, highly polished specular aluminum finish. Top is mounted horizontally to control uplight while house-side shield is mounted vertically to control backlight. Tool-less attachment of reflector bracket to socket with stainless steel spring clip. Rotatable 360 degrees.

G: Top Reflector with House Side Shield: Top reflector is 0.04" thick hydroformed aluminum with a clear anodized highly specular finish. Diameter is 14-1/4" and Height is 6-1/4". Reflector rests on top internal prism wall of the bottom globe section to control uplight. House-side reflector is 0.02" thick aluminum alloy. Precision formed highly polished specular aluminum finish. Mounted vertically to control backlight. Tool-less attachment of reflector bracket to socket with stainless steel spring clip. Rotatable 360 degrees.

H: House-Side Shield: House-side reflector is 0.02" thick aluminum alloy. Precision formed highly polished specular aluminum finish. Mounted vertically to control backlight. Tool-less attachment of reflector bracket to socket with stainless steel spring clip. Rotatable 360 degrees.

L: Internal Louver Assembly: Optically designed, 0.05" thick highly polished, specular Alzak® aluminum, internal louvers. Tool-less attachment of reflector bracket to socket with stainless steel spring clip. Rotatable 360 degrees. (NOTE: cannot be used with Induction Lamping.)

R34 Refractive

Post top

Specifications

HOUSING:**OPTIONAL PODS:**

T: Top Reflector: Top reflector is 0.04" thick hydroformed aluminum with a clear anodized highly specular finish. Diameter is 14-1/4" and Height is 6-1/4". Reflector rests on top internal prism wall of the bottom globe section to control uplight.

ELECTRICAL ASSEMBLY:

Twistlock Ballast Assembly with Quick Disconnects for easy maintenance. Ballasts are HPF core and coil. 4kv rated mogul base porcelain socket. Nickel-plated screw shell with center contact. 4kv rated porcelain mini-can base. Nickel-plated screw shell with center contact. Consult factory if ordering Induction Lamping and Power Coupler.

BALLAST:

All HID ballasts are core and coil and regulated with power factors better than 90% (HPF). Ballast provides +/- 5% lamp power regulation with +/- 10% input voltage regulation. Ballasts are factory pre-wired and tested. Metal halide ballasts are capable of starting at -20° F or -30° C and HPS at -40°F or -40°C. NOTE: All ballasts are EISA / Title 20 / Title 24 compliant where applicable.

CERTIFICATIONS:

ETL Listed to U.S. safety standards for wet locations. cETL listed to Canadian safety standards for wet locations. Manufactured to ISO 9001:2008 Standards.

WARRANTY:

Three-year limited warranty.

Max. EPA:

2.20 sq. Ft. (Varies depending on options selected)

Max. Weight:

50 lbs

IESNA Classifications:

Semi Cutoff: with C and D roof and/or G or T refl

