

Ø8.00 B.C.

Ø12.00 B.C.

TOP SECTIONED VIEW

STREET SIDE

HOUSE SIDE

VERIFY BOLD LINE IS 8" LONG

NOTES:

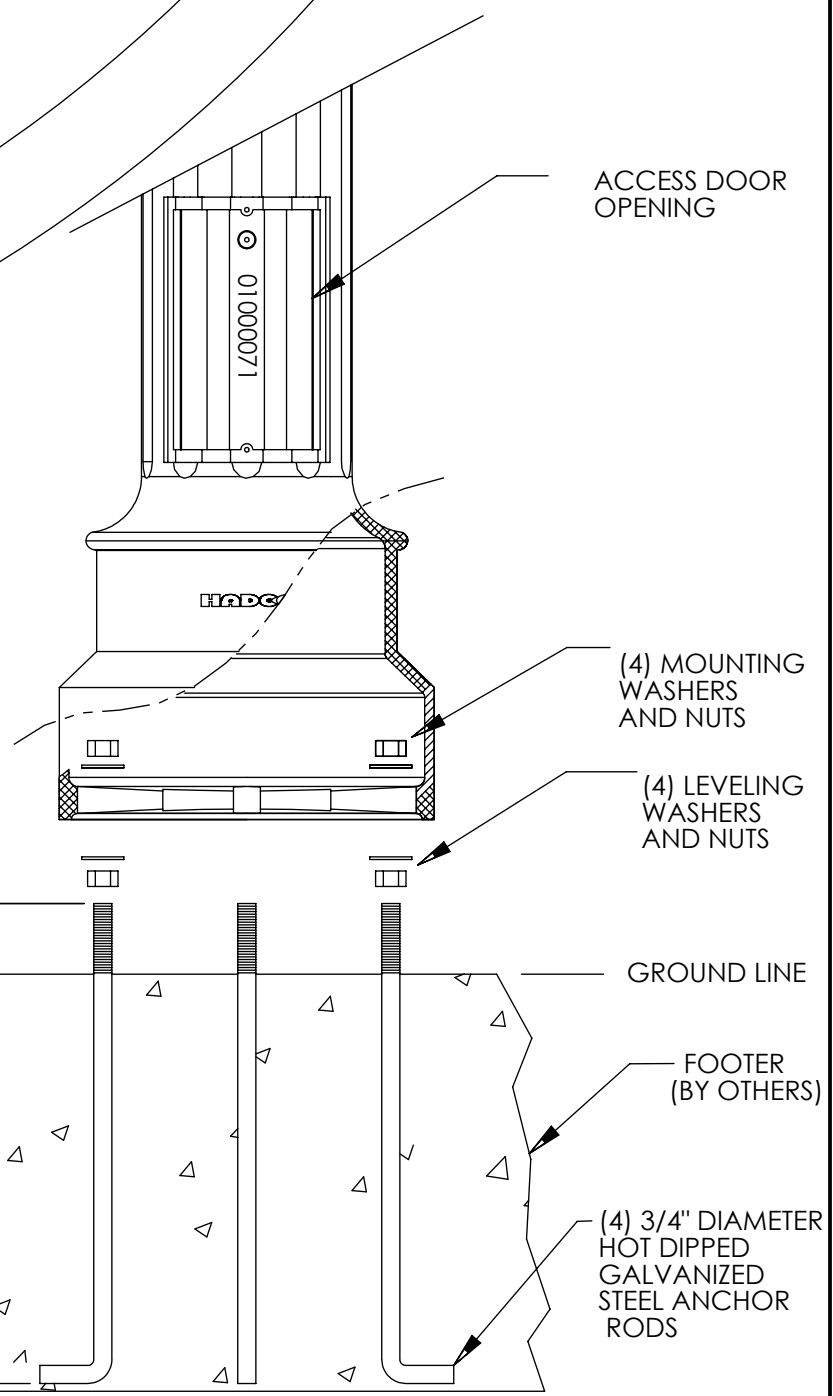
1. SUGGESTED BOLT CIRCLE: 12" DIAMETER
 MAXIMUM BOLT CIRCLE: 12" DIAMETER
 MINIMUM BOLT CIRCLE: 8" DIAMETER

2. HADCO STRONGLY RECOMMENDS USING LEVELING NUTS TO MOUNT THE POST BASE. IF FOUNDATION IS NOT LEVEL, INCREASE "X" DIMENSION ACCORDINGLY WHEN USING LEVELING NUTS WITH WASHERS.

X = 3 1/4" WITH LEVELING NUTS
 X = 2 1/4" WITHOUT LEVELING NUTS

3. IF USING GROUTING TO CONCEAL GAP BETWEEN BASE AND FOUNDATION, ALLOW FOR WATER DRAINAGE.

ACCESS DOOR



HADCO by @ignify	CONFIDENTIAL: This drawing is confidential and proprietary to Signify Holdings and may not be reproduced in whole or in part without the express written consent of Signify Holdings. © 2018 Signify Holdings. All rights reserved.		TITLE: TEMP,P4400,AL,PERM,NEW BASE	
	DRAWN BY: M. S. PRESSEL	DATE: 6/21/99	DRW SIZE: C	MATERIAL: 17 X 22 WHITE BOND PAPER,
CHECKED BY: WHD	DATE: 8/21/08	APPR BY: E. HADDAD	DATE: 6/21/99	
*UNLESS OTHERWISE SPECIFIED: *ALL DIMENSIONS ARE IN INCHES. *ALL THREADS ARE UNC-2B OR UNF-2B AFTER COATING. *ALL THREADS ARE TO BE VERIFIED WITH A THREAD GAGE.	EF-04-01-11 Rev.09	SCALE 1:1	SHEET 1 OF 1	PART NO: T01000071

* DO NOT SCALE THIS DRAWING *