

READ AND UNDERSTAND THESE INSTRUCTIONS BEFORE INSTALLING FIXTURE

This fixture is intended for installation in accordance with the National Electrical Code and local regulations. To assure full compliance with local codes and regulations, check with your local electrical inspector before installation. To prevent electrical shock, turn off electricity at fuse box before proceeding.

Retain these instructions for maintenance reference.

INSTRUCTION SHEET NO.

IS:8416

0794 Page 1 of 1

INSTRUCTIONS FOR ATTACHING SOF-TECH® TO LYTESPAN® TRACK

Instructions for Attaching Sof-Tech® to Single Circuit Track System

1. Insert into LYTESPAN TRACK (see Fig. 1). LOCKING LEVER must be in same side of track BEAD.
2. Rotate FITTING 90° clockwise (see Fig. 2).
3. Rotate FITTING until LOCKING LEVER snaps and locks in place (see Fig. 3.)
4. To remove: depress LOCKING LEVER, then rotate FITTING 90° counterclockwise.

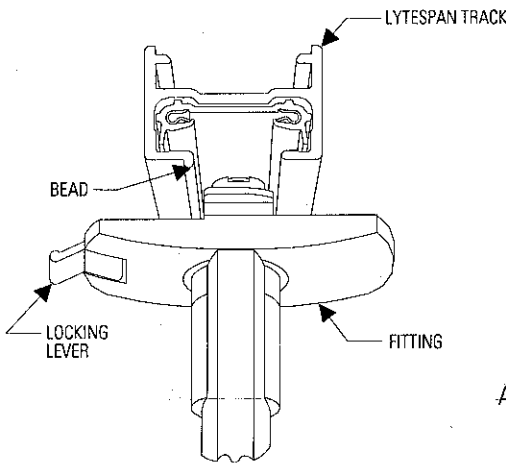


FIG. 1

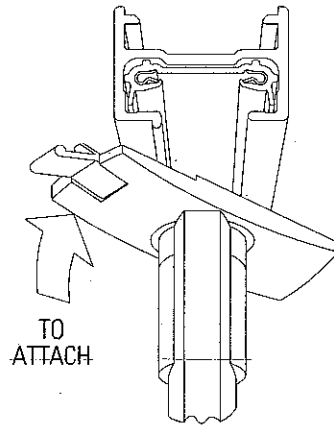


FIG. 2

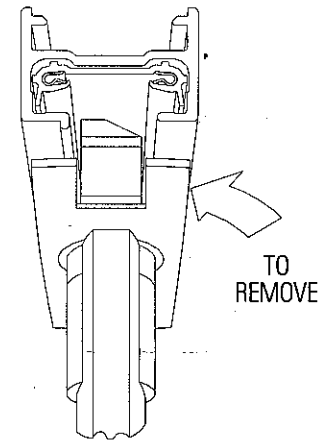


FIG. 3

Instructions for Converting Sof-Tech® Attachment Fitting to Operate on 2 Circuit Track

See Fig. 4 BRASS CONTACT can be raised or lowered. Broken line indicates position for 1 circuit or lower circuit of 2 circuit track system.

To convert attachment FITTING for upper circuit of 2 circuit track, raise BRASS CONTACT to high position by lifting CONTACT as high as stop permits and CONTACT clicks into place.

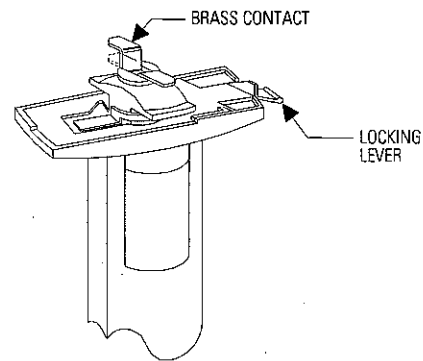


FIG. 4

**INSTRUCTIONS FOR ATTACHING SOF-TECH®
TO LYTESPAN® TRACK (Continued)**

Instructions for Lamping and Adjusting Sof-Tech® for use with 8416, 8420 & 8430

1. Check to see that power is OFF when lamping or relamping.
2. Screw lamp into FIXTURE ASSEMBLY as shown (Fig. 5).
3. To aim FIXTURE, rotate as shown. (Fig. 5)

**NOTE: To use ACCESSORIES, (such as LENS, LOUVER or COLOR FILTER),
the appropriate LENS HOLDER must be ordered.**

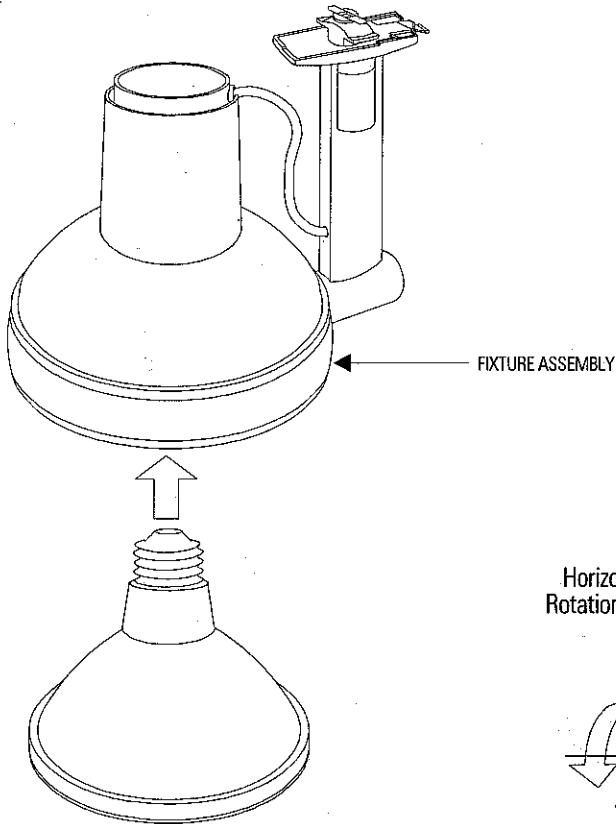


FIG. 5

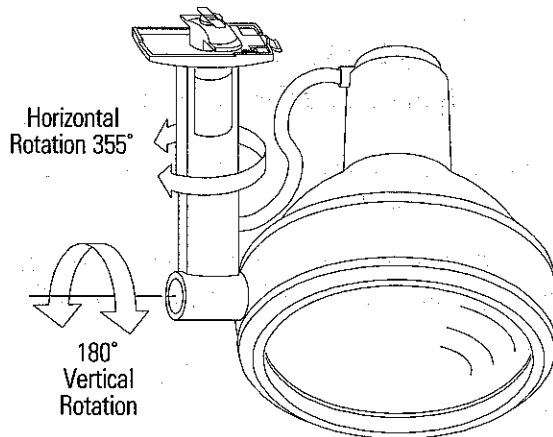


FIG. 6