

INSTALLATION INSTRUCTIONS - GENERAL

IMPORTANT SAFEGUARDS

- THIS PRODUCT MUST BE INSTALLED IN ACCORDANCE WITH THE APPLICABLE INSTALLATION CODE BY A PERSON FAMILIAR WITH THE CONSTRUCTION AND OPERATION OF THE PRODUCT AND THE HAZARDS INVOLVED.
- DISCONNECT POWER BEFORE BEGINNING INSTALLATION.
- FIXTURE MUST BE INSTALLED IN COMPLIANCE WITH THE NATIONAL ELECTRIC CODE AND ANY LOCAL CODES.
- TO BE INSTALLED ONLY BY A QUALIFIED ELECTRICIAN.
- PROPER GROUNDING IS REQUIRED TO INSURE PERSONAL SAFETY.
- READ ALL FIXTURE MARKINGS AND LABELS TO ENSURE CORRECT INSTALLATION OF FIXTURE
- RISK OF FIRE, USE A MINIMUM OF 90C SUPPLY CONNECTORS.
- MAXIMUM MOUNTING HEIGHT OF 8 FT. WHEN AN EMERGENCY PACK IS PROVIDED

SAVE THESE INSTRUCTIONS

SURFACE MOUNT INSTALLATION

- REMOVE SCREWS SECURING DOOR OR LENS TO HOUSING.
 - REMOVE HARDWARE SECURING REFLECTOR ASSEMBLY TO HOUSING.
 - LOCATE MOUNTING HOLES IN HOUSING AND POSITION OVER J-BOX (IF APPLICABLE). MARK HOLE LOCATIONS AND DRILL HOLES IN MOUNTING SURFACE.
 - REMOVE DESIRED K.O. ON BACK OF THE HOUSING.
 - POSITION HOUSING OVER J-BOX (IF APPLICABLE) AND CONNECT HOT, NEUTRAL, AND GROUND WIRES TO BUILDING CONDUCTORS.
 - FASTEN HOUSING TO MOUNTING SURFACE USING APPROPRIATE HARDWARE.
 - REASSEMBLE REFLECTOR ASSEMBLY TO HOUSING AND INSTALL LAMPS (IF APPLICABLE).
 - REASSEMBLE DOOR TO HOUSING.
 - CAULK BETWEEN MOUNTING SURFACE AND FIXTURE (IF NECESSARY) TO SEAL THE UNIT IN UNIQUE SURFACE CONDITIONS.
-



Specifications and dimensions are subject to change without notice. For additional options and dimensional details please consult your Philips Lighting Representative.

INS10100

Signify North America Corporation
200 Franklin Square Drive
Somerset, NJ 08873, USA
Phone: 855-486-2216

Signify Canada Ltd./Signify Canada Ltee. October, 2018
281 Hillmount Road
Markham ON, Canada L6C 2S3
Phone:800-668-9008

INSTALLATION INSTRUCTIONS - GENERAL

RECESSED FLANGE INSTALLATION

- CUT APPROPRIATE SIZE OPENING IN CEILING.
 - INSTALL BLOCKING AROUND THE OPENING WITH THE INSIDE EDGE FLUSH WITH THE CUT OPENING.
 - OPEN THE DOOR AND REMOVE BALLAST/DRIVER COVER.
 - POSITION FIXTURE JUST BELOW THE CEILING OPENING AND CONNECT HOT, NEUTRAL, AND GROUND WIRES TO BUILDING CONDUCTORS.
 - INSERT THE HOUSING INTO CEILING OPENING WITH SWING ARMS PARALLEL TO HOUSING.
 - TURN SWING ARM SCREWS (4) UNTIL FIXTURE IS SNUG AGAINST CEILING.
 - REASSEMBLE BALLAST/DRIVER COVER TO HOUSING AND INSTALL LAMPS (IF APPLICABLE).
 - REASSEMBLE DOOR TO HOUSING.
-

RECESSED GRID INSTALLATION

- FIXTURE IS DESIGNED FOR 1.00" X 1.50" "T" BAR GRID SYSTEM WITH VERTICAL "T" GRID THICKNESS LESS THAN 0.25". GRID SYSTEM CAN BE INSTALLED WITH STANDARD 12, 24 OR 48 INCH CENTER TO CENTER SPACING OF GRID.
 - OPEN THE DOOR AND REMOVE BALLAST/DRIVER COVER.
 - ANGLE FIXTURE THROUGH THE OPENING IN THE GRID CEILING.
 - REST FIXTURE ON A GRID.
 - IF FIXTURE WEIGHTS OVER 50 LBS. SHOULD BE FASTENED TO THE CEILING GRID SYSTEM OR TO THE CEILING STRUCTURE ABOVE THE SUSPENDED CEILING BY USING THREADED ROD OR STEEL WIRES APPROPRIATE FOR THE WEIGHT OF THE FIXTURE.
 - CONNECT HOT, NEUTRAL, AND GROUND WIRES TO BUILDING CONDUCTORS.
 - REASSEMBLE BALLAST/DRIVER COVER TO HOUSING AND INSTALL LAMPS (IF APPLICABLE).
 - REASSEMBLE DOOR TO HOUSING.
-



Specifications and dimensions are subject to change without notice. For additional options and dimensional details please consult your Philips Lighting Representative.

INS10100

Signify North America Corporation
200 Franklin Square Drive
Somerset, NJ 08873, USA
Phone: 855-486-2216

Signify Canada Ltd./Signify Canada Ltee. October, 2018
281 Hillmount Road
Markham ON, Canada L6C 2S3
Phone: 800-668-9008

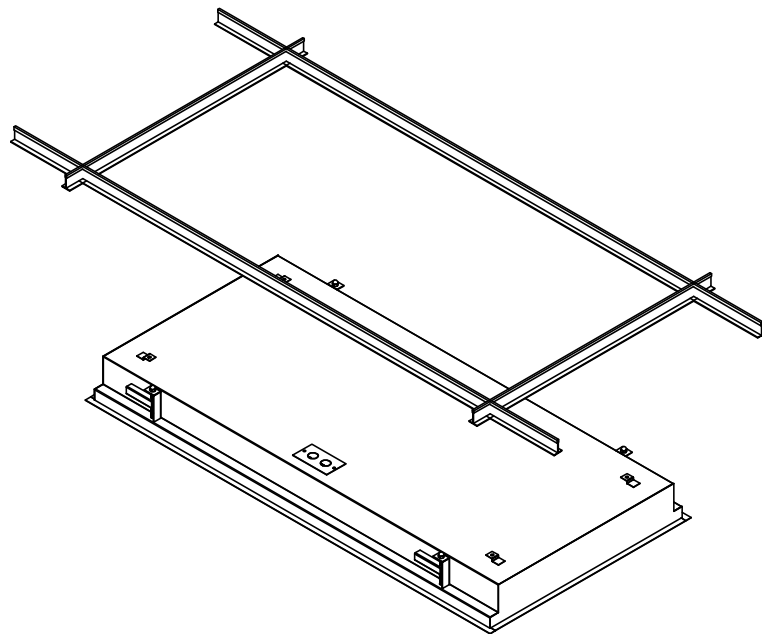
SSTR24 Installation Instructions

IMPORTANT SAFE GUARDS:

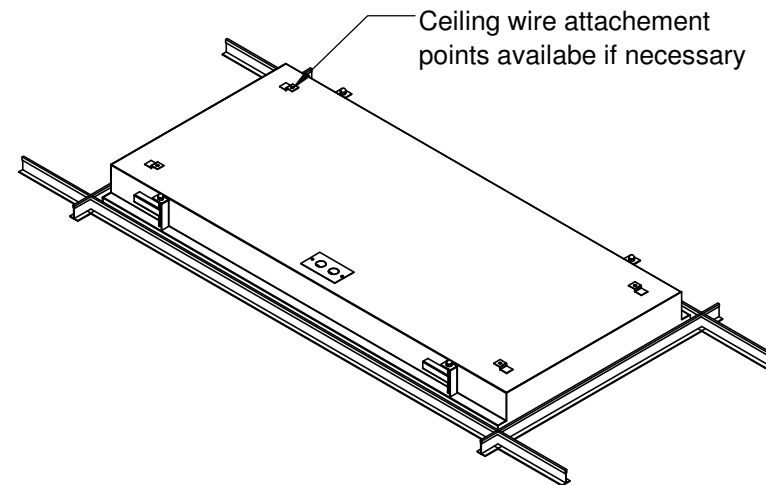
- THIS PRODUCT MUST BE INSTALLED IN ACCORDANCE WITH THE APPLICABLE INSTALLATION CODE BY A PERSON FAMILIAR WITH THE CONSTRUCTION AND OPERATION OF THE PRODUCT AND THE HAZARDS INVOLVED.
- DISCONNECT POWER BEFORE BEGINNING INSTALLATION.
- FIXTURE MUST BE INSTALLED IN COMPLIANCE WITH THE NATIONAL ELECTRIC CODE AND ANY LOCAL CODES.
- TO BE INSTALLED ONLY BY A QUALIFIED ELECTRICIAN.
- PROPER GROUNDING IS REQUIRED TO INSURE PERSONAL SAFETY.
- READ ALL FIXTURE MARKINGS AND LABELS TO ENSURE CORRECT INSTALLATION OF FIXTURE.
- RISK OF FIRE, USE A MINIMUM OF 90C SUPPLY CONNECTORS.
- MAXIMUM MOUNTING HEIGHT OF 8FT. WHEN AN EMERGENCY PACK IS PROVIDED

INSTALLATION INSTRUCTIONS:

1. Raise fixture into grid ceiling.



2. Adjust as necessary to center fixture in grid.



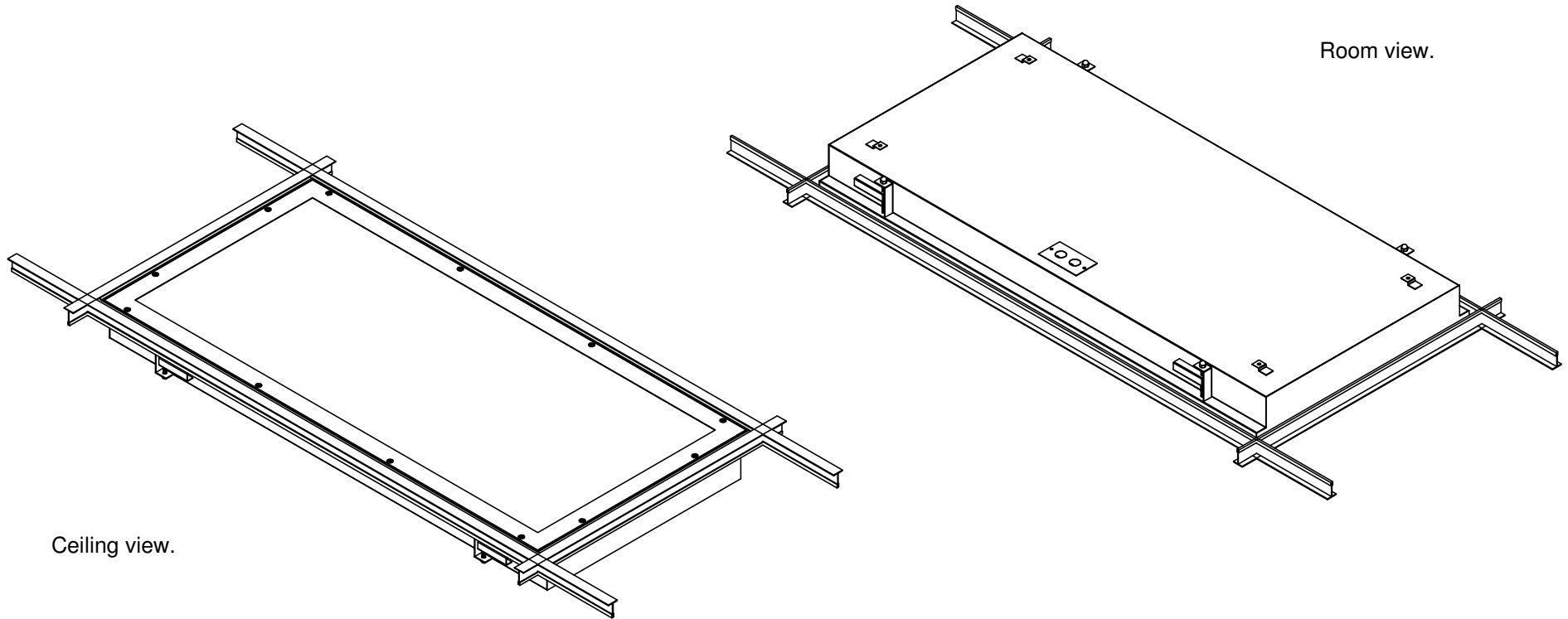
Day-Brite
CFI

Signify North America Corporation
200 Franklin Square Drive
Somerset, NJ 08873, USA
Phone: 855-486-2216

Signify Canada Ltd./Signify Canada Ltee.
281 Hillmount Road
Markham ON, Canada L6C 2S3
Phone: 800-668-9008

INS10300
October, 2018
Page 1 of 2

SSTR24 Installation Instructions



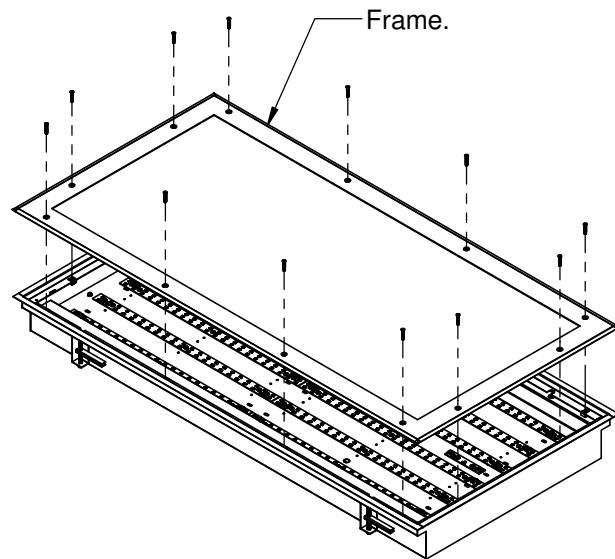
SSTR24 Installation Instructions

IMPORTANT SAFE GUARDS:

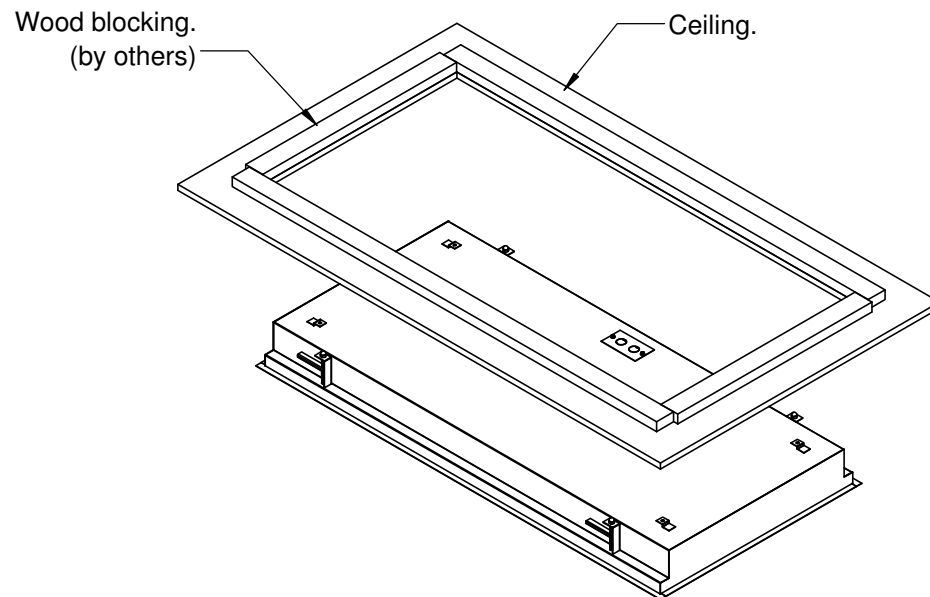
- THIS PRODUCT MUST BE INSTALLED IN ACCORDANCE WITH THE APPLICABLE INSTALLATION CODE BY A PERSON FAMILIAR WITH THE CONSTRUCTION AND OPERATION OF THE PRODUCT AND THE HAZARDS INVOLVED.
- DISCONNECT POWER BEFORE BEGINNING INSTALLATION.
- FIXTURE MUST BE INSTALLED IN COMPLIANCE WITH THE NATIONAL ELECTRIC CODE AND ANY LOCAL CODES.
- TO BE INSTALLED ONLY BY A QUALIFIED ELECTRICIAN.
- PROPER GROUNDING IS REQUIRED TO INSURE PERSONAL SAFETY.
- READ ALL FIXTURE MARKINGS AND LABELS TO ENSURE CORRECT INSTALLATION OF FIXTURE.
- RISK OF FIRE, USE A MINIMUM OF 90C SUPPLY CONNECTORS.
- MAXIMUM MOUNTING HEIGHT OF 8FT. WHEN AN EMERGENCY PACK IS PROVIDED

INSTALLATION INSTRUCTIONS:

1. Remove frame.



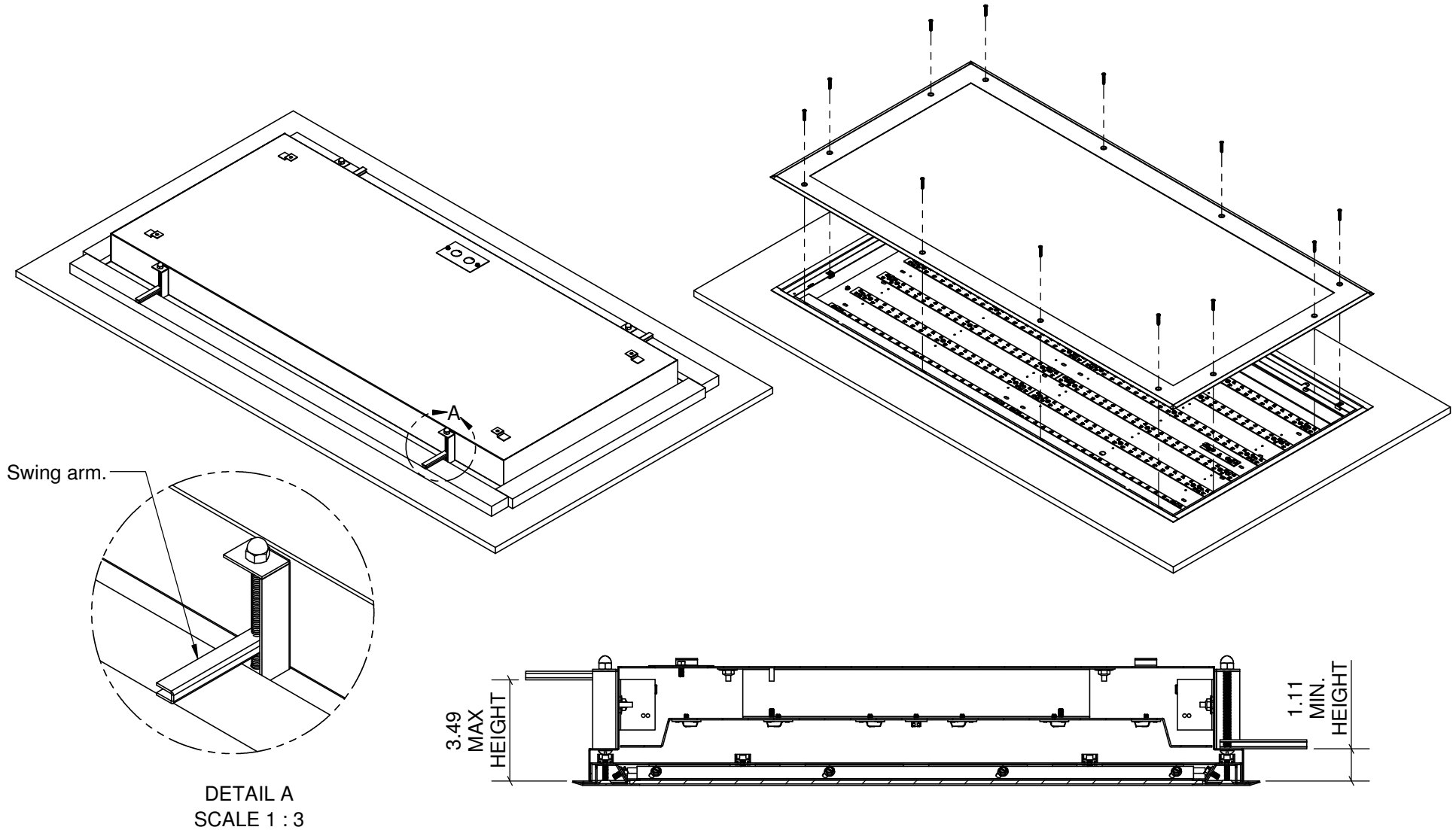
2. Place housing in ceiling.



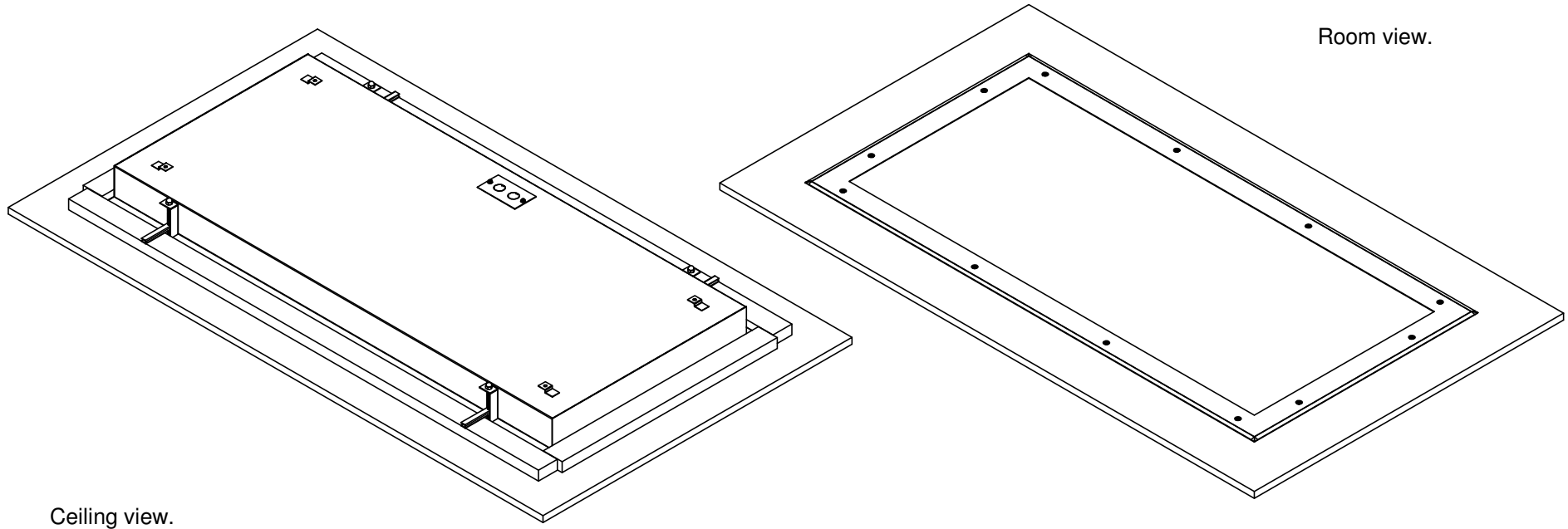
SSTR24 Installation Instructions

3. Adjust swing arms accordingly.

4. Re-attach frame.



SSTR24 Installation Instructions



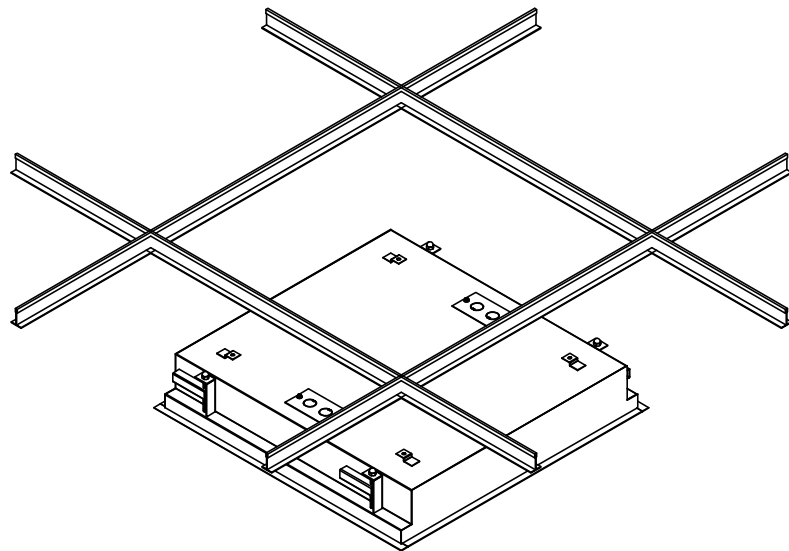
SSTR22 Installation Instructions

IMPORTANT SAFE GUARDS:

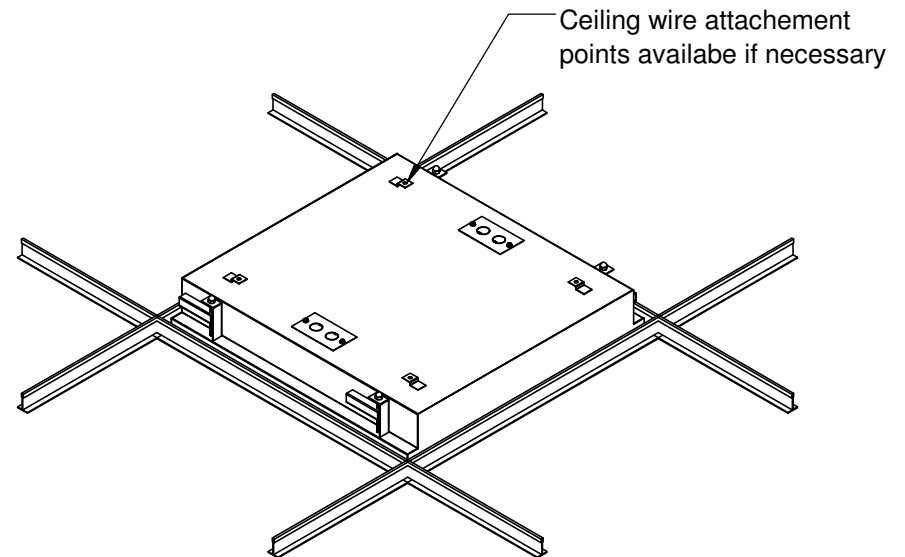
- THIS PRODUCT MUST BE INSTALLED IN ACCORDANCE WITH THE APPLICABLE INSTALLATION CODE BY A PERSON FAMILIAR WITH THE CONSTRUCTION AND OPERATION OF THE PRODUCT AND THE HAZARDS INVOLVED.
- DISCONNECT POWER BEFORE BEGINNING INSTALLATION.
- FIXTURE MUST BE INSTALLED IN COMPLIANCE WITH THE NATIONAL ELECTRIC CODE AND ANY LOCAL CODES.
- TO BE INSTALLED ONLY BY A QUALIFIED ELECTRICIAN.
- PROPER GROUNDING IS REQUIRED TO INSURE PERSONAL SAFETY.
- READ ALL FIXTURE MARKINGS AND LABELS TO ENSURE CORRECT INSTALLATION OF FIXTURE.
- RISK OF FIRE, USE A MINIMUM OF 90C SUPPLY CONNECTORS.
- MAXIMUM MOUNTING HEIGHT OF 8FT. WHEN AN EMERGENCY PACK IS PROVIDED

INSTALLATION INSTRUCTIONS:

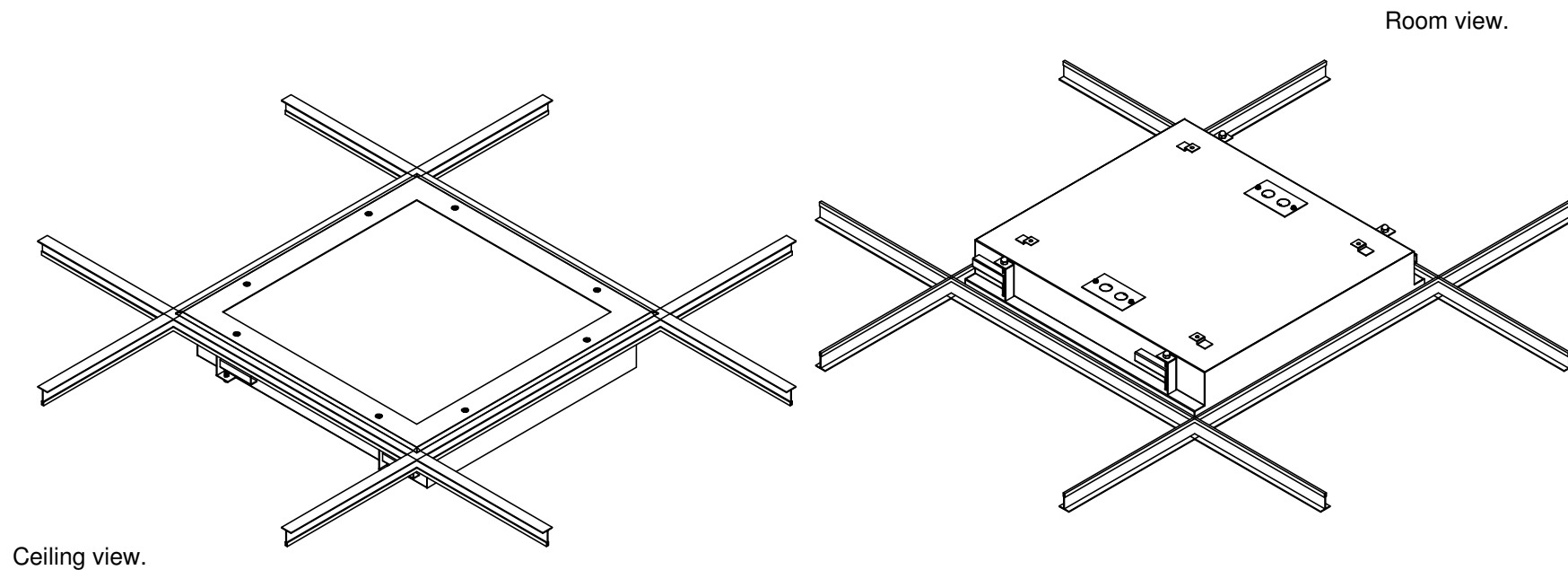
1. Raise fixture into grid ceiling.



2. Adjust as necessary to center fixture in grid.



SSTR22 Installation Instructions



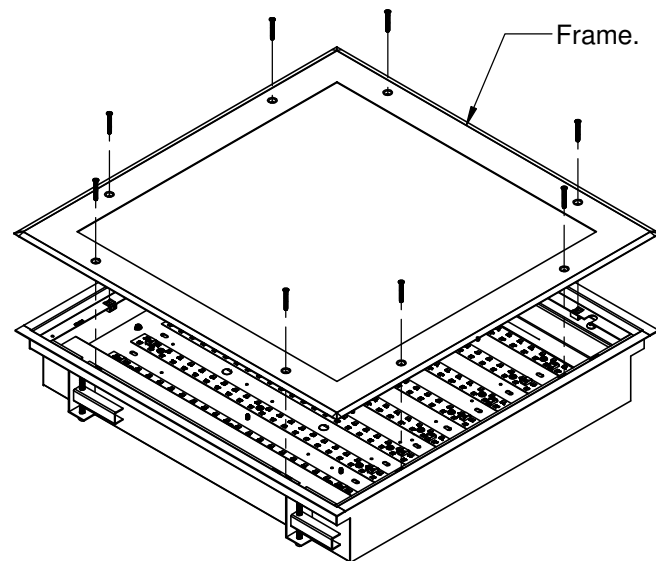
SSTR22 Installation Instructions

IMPORTANT SAFE GUARDS:

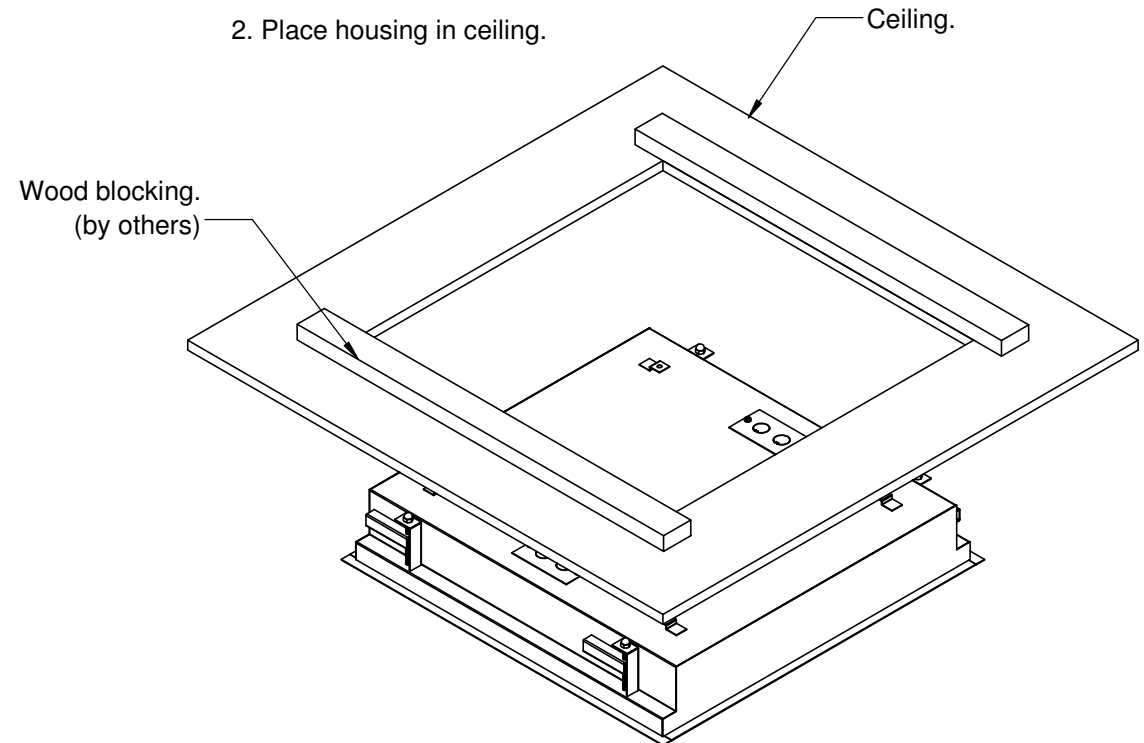
- THIS PRODUCT MUST BE INSTALLED IN ACCORDANCE WITH THE APPLICABLE INSTALLATION CODE BY A PERSON FAMILIAR WITH THE CONSTRUCTION AND OPERATION OF THE PRODUCT AND THE HAZARDS INVOLVED.
- DISCONNECT POWER BEFORE BEGINNING INSTALLATION.
- FIXTURE MUST BE INSTALLED IN COMPLIANCE WITH THE NATIONAL ELECTRIC CODE AND ANY LOCAL CODES.
- TO BE INSTALLED ONLY BY A QUALIFIED ELECTRICIAN.
- PROPER GROUNDING IS REQUIRED TO INSURE PERSONAL SAFETY.
- READ ALL FIXTURE MARKINGS AND LABELS TO ENSURE CORRECT INSTALLATION OF FIXTURE.
- RISK OF FIRE, USE A MINIMUM OF 90C SUPPLY CONNECTORS.
- MAXIMUM MOUNTING HEIGHT OF 8FT. WHEN AN EMERGENCY PACK IS PROVIDED

INSTALLATION INSTRUCTIONS:

1. Remove frame.



2. Place housing in ceiling.



Day-Brite
CFI

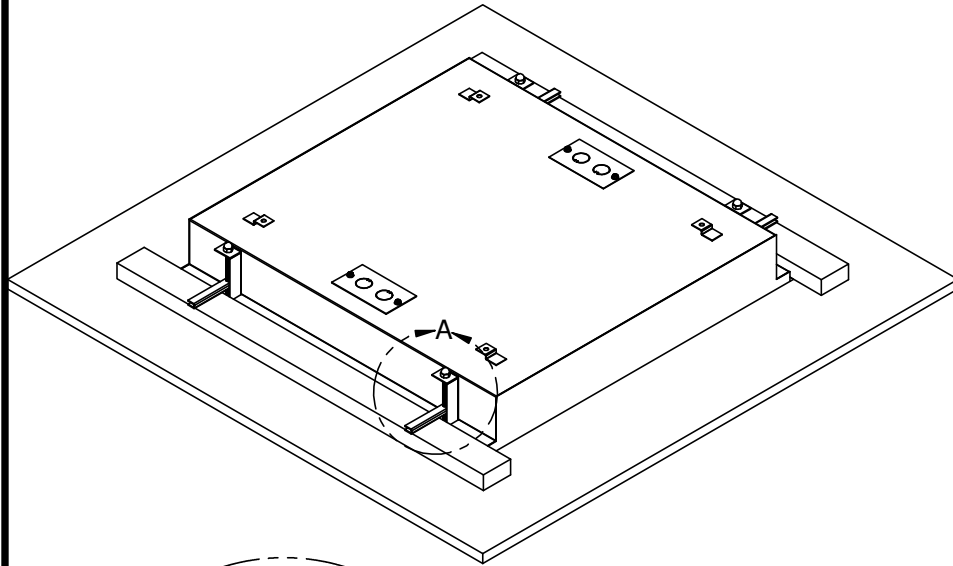
Signify North America Corporation
200 Franklin Square Drive
Somerset, NJ 08873, USA
Phone: 855-486-2216

Signify Canada Ltd./Signify Canada Ltee.
281 Hillmount Road
Markham ON, Canada L6C 2S3
Phone: 800-668-9008

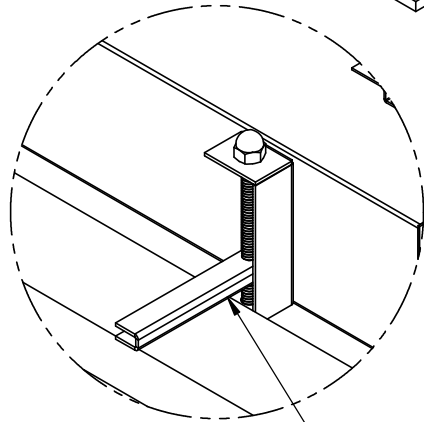
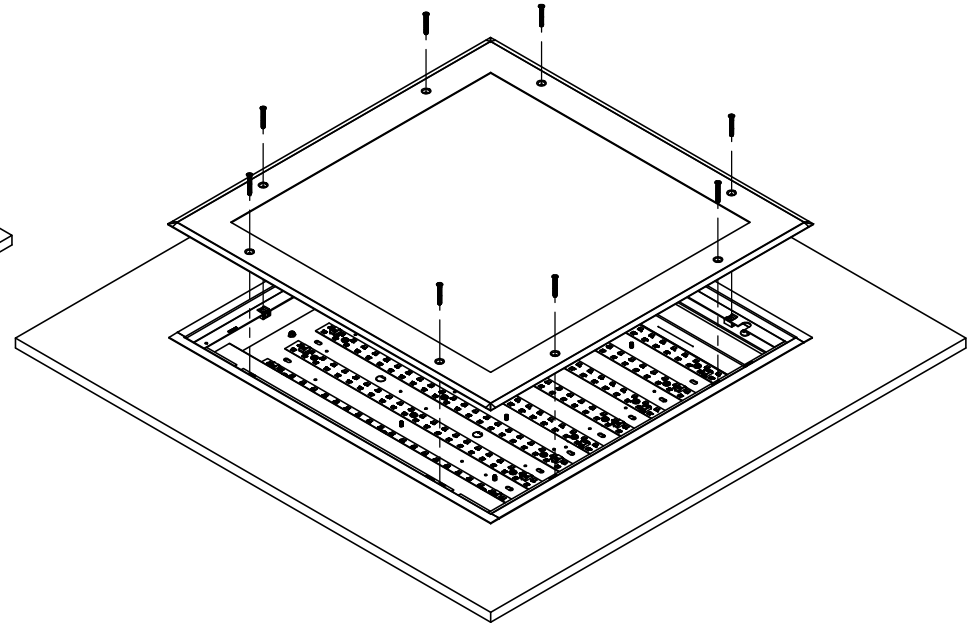
INS10301
October, 2018
Page 1 of 3

SSTR22 Installation Instructions

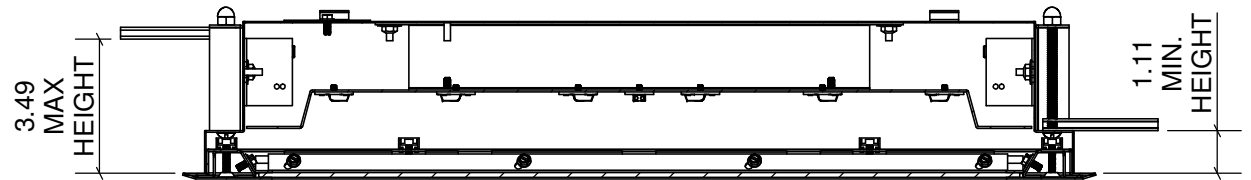
3. Adjust swing arms accordingly.



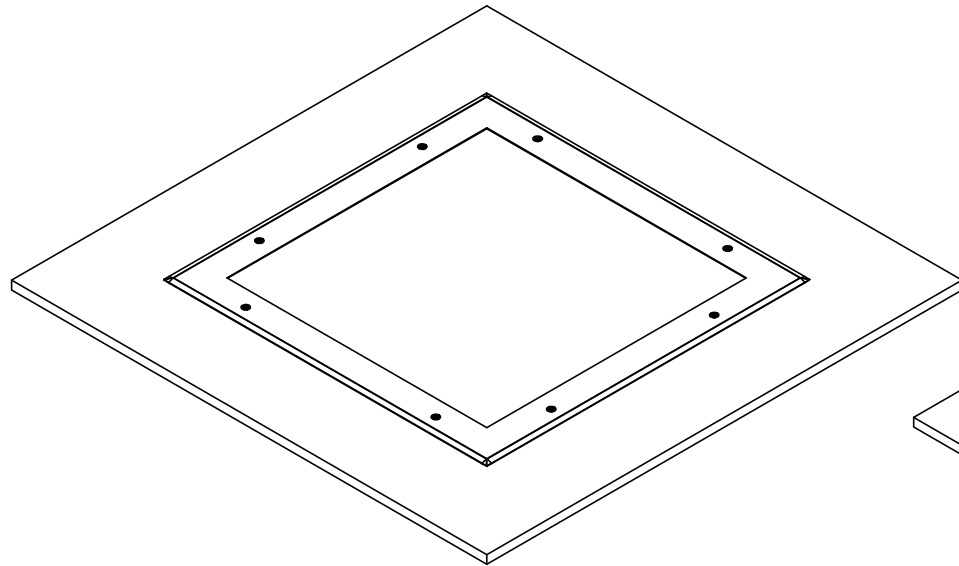
4. Re-attach frame.



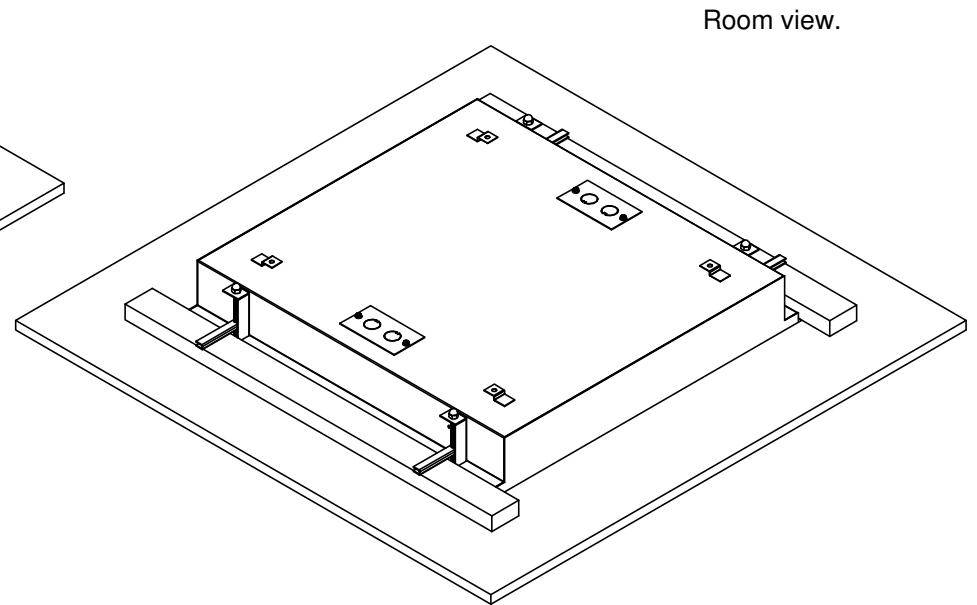
DETAIL A
SCALE 1 : 3
— Swing arm.



SSTR22 Installation Instructions



Ceiling view.



Room view.