

IS:7660

Accessories for use with Sof-tech low voltage spots. (7660 & 7661)

Read and understand these instructions before installing luminaire.

This luminaire is intended for installation in accordance with the National Electrical Code and Local Regulations. To assure full compliance with local codes and regulations, check with your local electrical inspector before installation. To prevent electrical shock, turn off electricity at fuse box before proceeding.

Retain these instructions for maintenance reference.

1. Place the selected LENS or LOUVER (only one may be used) inside the ACCESSORY HOLDER as shown in Figure 1.
2. Position one of the accessory holder SPRINGS, so it hooks onto the BACK EDGE on the lower side of the ring of the "Enclosed Spot" or the "Open Ring" as shown in Figure 2.
3. Then pull the other spring and swing the accessory holder, with the lens or louver, so it is centered with the face of the ring. The SIDE TABS of the accessory holder catch the BACK EDGE OF THE RING. Let go of the spring, so that it hooks onto the upper side of the ring, and secures the accessory holder in place, as shown in Figure 3.

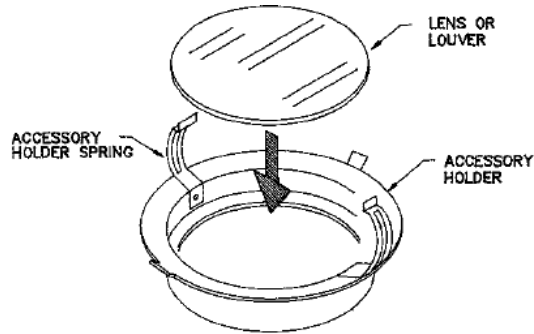


FIGURE 1

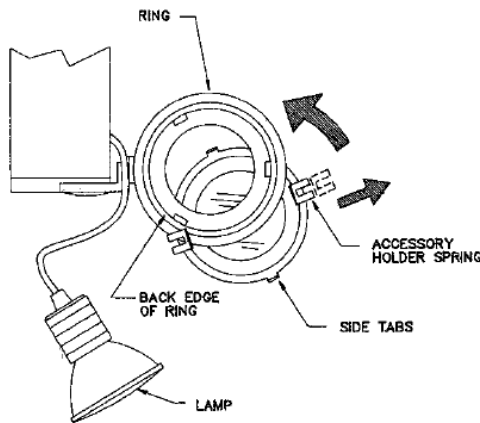


FIGURE 2

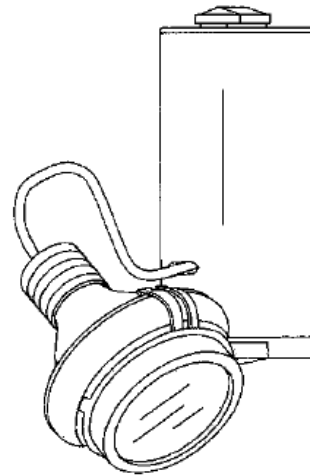


FIGURE 3

ALL LUMINAIRES ACCEPT (1) ACCESSORY. IMPORTANT: MAXIMUM WATTAGE IS 50W FOR ANY LAMP WHEN USING ANY ACCESSORY WITH SOF-TECH LOW-VOLTAGE LYTESPOTS.

CAUTION: USE ONLY LAMP WATTAGE AND TYPE AS MARKED ON LUMINAIRE.

PRODUCT NO.	LAMP USED W/ ACCY.	ACCESSORY HOLDER	LOUVER	LENS SERIES	COLOR FILTERS
6272, 6274 8272, 8274	AR70 MAX 50W	7661	AL25HC	AF25	ADF25
6277, 6279 6287, 6289	PAR36/AR111 MAX 50W	7660	AL3HC	AF3	ADF3