

# ALKCO

## Germicidal UV

### High bay

### 4 or 6 lamp T8 Philips TUV



The ALKCO germicidal UV high bay utilizes Philips UV-C technology to offer one layer of disinfection measures against bacteria, viruses, and fungal spores. Surface disinfection can play an important role in a broad range of applications such as schools, offices, industry, (food) retail and museums.

Project: \_\_\_\_\_  
 Location: \_\_\_\_\_  
 Cat.No: \_\_\_\_\_  
 Type: \_\_\_\_\_  
 Lamps: \_\_\_\_\_ Qty: \_\_\_\_\_  
 Notes: \_\_\_\_\_

### Ordering guide

Example: UHB436-UNV-2/2-EB-BK

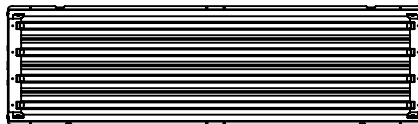
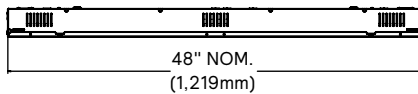
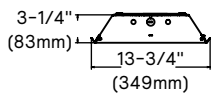
Family	Lamp Quantity	Lamp Type/Wattage	Voltage	Ballast	Options
<b>UHB</b>	<input type="text"/>	<b>36</b> -	<b>UNV</b> -	<input type="text"/> -	<input type="text"/>
<b>UHB</b> Germicidal UV high bay	<b>4</b> Four lamp <b>6</b> Six lamp	<b>36</b> 36W T8 Philips TUV	<b>UNV</b> Universal voltage 120-277V	<b>2/2-EB</b> Two 2 lamp electronic ballast <b>3/2-EB</b> Three 2 lamp electronic ballasts	<b>blank</b> White external housing <b>BK</b> Black external housing

### General Notes

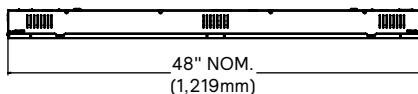
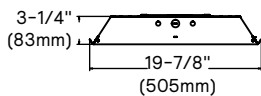
- All options factory installed.
- All accessories are field installed.
- Lamps are included with luminaire but shipped separately.

### Dimensions

#### 4 Lamp

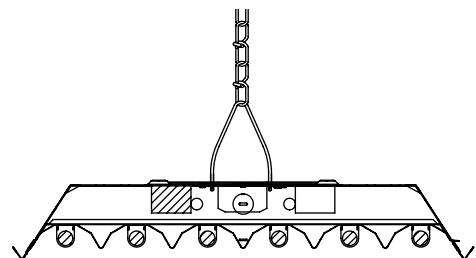


#### 6 Lamp



### Accessories (order separately)

- **HCH5-VHOOK** 5' cables & V hooks
- **HNH5-VHOOK** 54" chains & V hooks
- **WG-FBD4** 4 lamp wire guard
- **WG-FBD6** 6 lamp wire guard



# UHB Germicidal UV high bay

4 or 6 lamp T8 Philips TUV

## Controls System

For proper UL certified permanent installations, a controls system must be used with Alkco germicidal UV high bays. As an example, the system would consist of a control panel with optional components including checkpoint switches, door switches, warning lights, emergency stop switches, and motion detectors. See UV controls specification sheets for details.



UV-C lamp



Warning light



Area emergency stop



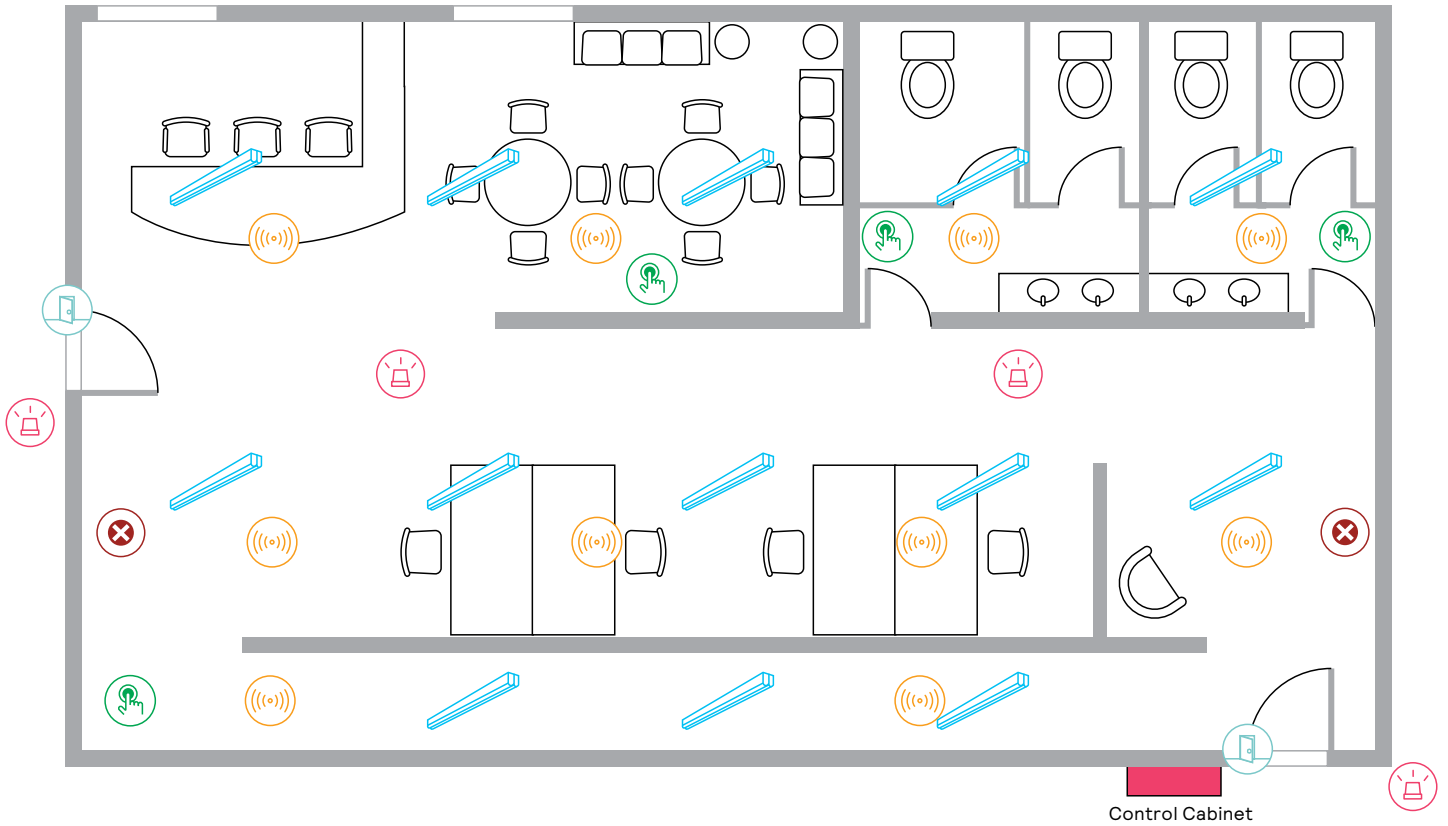
Checkpoint



Door switch



Motion sensor



# UHB Germicidal UV high bay

## 4 or 6 lamp T8 Philips TUV

### Germicidal UV

- UV-C radiation can inactivate bacteria, viruses, and spores, which can leave them harmless.<sup>1</sup>
- UV-C technology has been used effectively in buildings for more than 35 years.<sup>2</sup>
- This UV-C product is intended to be used for the disinfection of the surfaces of objects other than medical devices.
- Philips TUV germicidal T8 lamps produce a peak output at 253.7nm.

### Construction/Finish

- Steel housing with white polyester powder finish.
- Electronic ballast(s).
- Locking lampholders provide positive contact and secure retention of lamps.
- Lamps are included with luminaire but shipped separately.

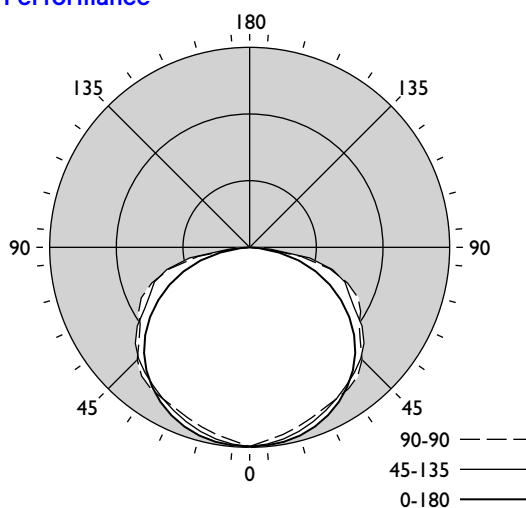
### Disclaimer

This product's effectiveness in the inactivation of certain viruses, bacteria, protozoa, fungi or other harmful micro-organisms is as described in the product documentation. Signify and its group of companies do not promise or warrant that the use of the products will protect or prevent any user from infection and/or contamination with any viruses, bacteria, protozoa, fungi, illness or disease. The products are not approved for, are not intended and must not be used as medical devices. In addition to and without limitation of any exclusions or limitations of liability of Signify and its group of companies as set forth in any agreement for the sale, distribution or otherwise making available of the products, Signify and its group of companies shall have no responsibility or liability whatsoever for any claim or damage that may arise from or relate to any use of the products outside of their intended use.

### Warnings and Cautions

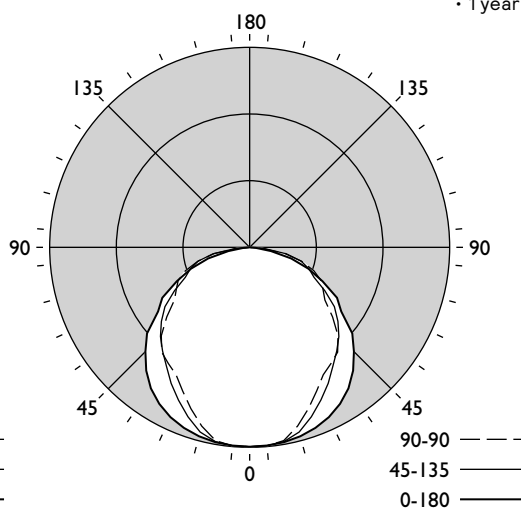
- This UV-C product is not approved and/or certified as a medical device.
- This UV-C product cannot be used to disinfect the surfaces of medical devices (such as medical devices in a room, surgical masks and/or surgical respirators). The device cannot be used in medical settings. The device cannot be used for disinfection of human skin.
- UV-C radiation can damage the human eye and can cause severe sunburn-like reaction to the human skin.
- UV-C can have adverse effects on organics such as plants and animals.
- UV-C radiation may damage or discolor materials such as plastics and rubber, among others.
- UV-C products should be installed and maintained by a trained technician following installation instructions and user manual.
- This UV-C product must be combined with a UL certified controls system for use in permanent installs. See page 2 for controls system example.

### Performance



UHB436-UNV-2/2-EB (4 Lamp)

Lamp Type 36W T8 TUV  
Input Watts 175.2  
Irradiance (mW) 45691.4



UHB636-UNV-3/2-EB (6 Lamp)

Lamp Type 36W T8 TUV  
Input Watts 264.7  
Irradiance (mW) 89233.0

### Warranty

- 1 year limited warranty ([signify.com/warranties](http://signify.com/warranties))

1. Fluence (UV Dose) Required to Achieve Incremental Log Inactivation of Bacteria, Protozoa, Viruses and Algae Revised, updated and expanded by Adel Haji Malayeri, Madjid Mohseni, Bill Cairns and James R. Bolton. With earlier contributions by Gabriel Chevretil (2006) and Eric Caron (2006) With peer review by Benoit Barbeau, Harold Wright (1999) and Karl G. Linden  
2. EPA Report, "Building Retrofits for Increased Protection Against Airborne Chemical and Biological Releases" Pg. 56

