

CHLORIDE

by  Signify

Exit/Emergency

Industrial remote lamp heads

Tungsten, Halogen, and LED

Project: _____
Location: _____
Cat.No: _____
Type: _____
Lamps: _____ Qty: _____
Notes: _____

thermoplastic round lamp heads

- Constructed of impact resistant, UL 94 V-0, 5 VA thermoplastic.
- White, black or tan with optional matching mounting plates.
- Available with sealed beam Par 36 or wedge base or bi-pin tungsten or halogen lamps.
- Lamps easily replaced by removing the snap-in retainer ring.



heavy industrial duty lamp heads

- Available for NEMA or Class I, Division 2 applications.
- Constructed of gray polycarbonate.
- Available with 6 or 12 V Par 36 sealed beam tungsten or halogen lamps.
- Optional shatterproof lens for food service applications.
- Lamp heads are fully gasketed.
- Lamps easily replaced by removing ring bezel.



thermoplastic rectangular lamp heads

- Constructed of polycarbonate.
- Available in white or black with optional matching mounting plates.
- Features 6 or 12 V tungsten T-5 wedge base or bi-pin lamps.
- Lamps easily replaced by removing prismatic diffuser.



M head

- Deep drawn powder-painted steel.
- Available in white, black, aluminum, or dark bronze.
- Available with 12 V or 24 V MR16 halogen or 12V MR16 LED lamps.
- Lamps easily replaced by removing lamp bezel.



chrome plated steel lamp heads

- Constructed of chrome-plated steel.
- Available with 6, 12 or 24 V Par 36 sealed beam tungsten or halogen lamps.
- Required for Chicago and New York City approved units with lamp wattages not less than 12 W.
- Lamps easily replaced by removing snap ring.



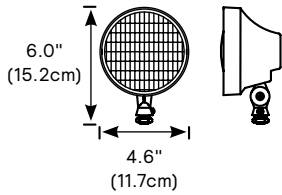
** See mounting plates spec sheet for compatible mounting plates. **



Industrial remote lamp heads

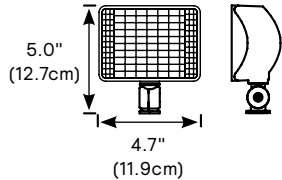
Tungsten, halogen, and LED lamps

thermoplastic round T5 wedge base and bi-pin



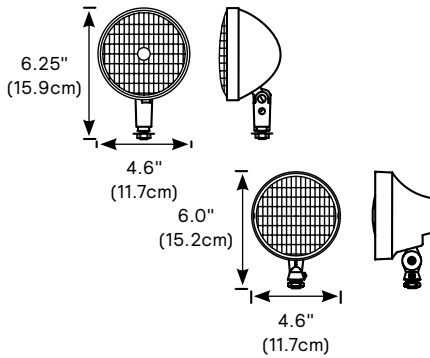
	Voltage	Wattage	Catalog Number ¹ Thermoplastic			Replacement Lamp No.	
			Tan	White	Black	Chloride No.	ANSI No.
Tungsten	6	5.4	DTA	WTA	BTA	0190020054	939
		7.2	DTD	WTD	BTD	0190020058	927
		9.0	DTB	WTB	BTB	0190020045	908
	12	9.0	DTC	WTC	BTC	0190020053	915
		12.5	DTE	WTE	BTE	0190020062	922
Halogen	6	17.9	DTF	WTF	BTF	0190020061	921
		8.0	DTS	WTS	BTS	0190020031	
		10.0	DTN	WTN	BTN	0190020036	
		12.0	DTT	WTT	BTB	0190020029	
		12	12.0	DTV	WTV	BTV	0190020032

polycarbonate rectangular wedge base heads



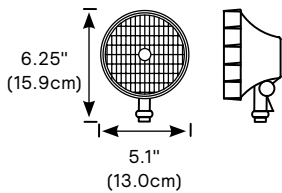
	Voltage	Wattage	Catalog Number ¹ Polycarbonate		Replacement Lamp No.	
			White	Black	Chloride No.	ANSI No.
Tungsten	6	5.4	J66	J66B	0190020054	939
		7.2	J76	J76B	0190020058	927
		9.0	J96	J96B	0190020045	908
	12	9.0	J912	J912B	0190020053	915
		12.5	J1212	J1212B	0190020062	922
		18.0	J1812	J1812B	0190020061	921

thermoplastic and metal chrome sealed beam PAR 36 heads



	Voltage	Wattage	Catalog Number ¹			Replacement Lamp No.		
			Metal Chrome	Tan	White	Black	Chloride No.	ANSI No.
Tungsten	6	8.0	Y	DY	WY	BY	0190017613	7613
		18.0	A	DA	WA	BA	0190014014	4014
		25.0	L	DL	WL	BL	0190014510	4510
		30.0	C	DC	WC	BC	0190014515	4515
	12	12.0	NY	DNY	WNY	BNY	0190014044	4044
		18.0	E	DE	WE	BE	0190014414	4414
		25.0	K	DK	WK	BK	0190014446	4446
Halogen	24	30.0	G	DG	WG	BG	0190014405	4405
		50.0	HP				0190014593	4593
	6	6.0	F	DF	WF	BF	0190017556	7556
		8.0	Q	DQ	WQ	BQ	0190017551	7551
		12.0	CHY	DCHY	WCHY	BCHY	0190017553	7553
	12	8.0	D	DD	WD	BD	0190017555	7555
		12.0	B	DB	WB	BB	0190017557	7557
		30.0	M				019001H4405	
		50.0	N				019001H7604	7604
		50.0	NF				0190017614	7614

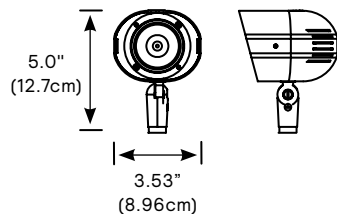
heavy industrial duty sealed beam PAR 36 heads



	Voltage	Wattage	Catalog Number* ¹		Replacement Lamp No.	
			Class I Div 2	NEMA Rated	Chloride No.	ANSI No.
Tungsten	6	8.0	ZA	ZM	0190017613	7613
		18.0	ZB	ZN	0190014014	4014
		25.0	ZC	ZO	0190014510	4510
		30.0		ZP	0190014515	4515
	12	12.0	ZE	ZQ	0190014044	4044
		18.0	ZF	ZR	0190014414	4414
Halogen	6	25.0	ZG	ZS	0190014446	4446
		30.0		ZT	0190014405	4405
		6.0	ZY	ZZ	0190017556	7556
		8.0	ZI	ZU	0190017551	7551
	12	12.0	ZJ	ZV	0190017553	7553
		8.0	ZK	ZW	0190017555	7555
		12.0	ZL	ZX	0190017557	7557
		50.0		Z5	019001H7604	7604
	50.0		Z5F	0190017614	7614	

* To order shatter-resistant lamp heads, add the suffix "S" to the selected head type.

M heads



	Voltage	Wattage	Catalog Number ¹	Replacement Lamp No.	
				Chloride No.	ANSI No.
Halogen	12	20	M20	0190020089	
		35	M35	0190020091	
		35	M35F	0190020105	
		50	M50	0190020103	
		50	M50F	0190020102	
		50	M450	0190020116	
LED	12	7	M7F	0190020117	

Note 1) Part numbers shown can be added to emergency lighting unit equipment "How to Order" information. If replacement lamp heads or remote lamp heads are desired, add "Head" to the part number, example WTAHEAD.

