

Project: \_\_\_\_\_

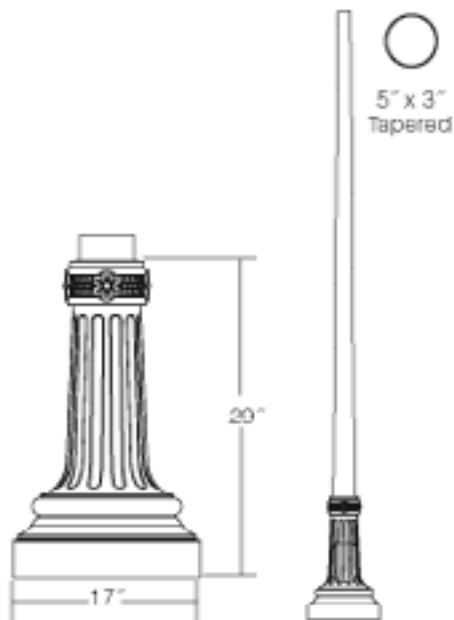
Location: \_\_\_\_\_

Cat.No: \_\_\_\_\_

Type: \_\_\_\_\_

Lamps: \_\_\_\_\_ Qty: \_\_\_\_\_

Notes: \_\_\_\_\_



### Ordering Guide

Example: P3120 12 A T D

<b>Product Code</b>	P3120	
<b>Pole Height</b>	12 14 16 18	12' 14' 16' 18'
<b>Finish</b>	A B G H J	Black White Verde Bronze Green
<b>Outlet Location (Optional)</b>	T B	12" Down from Top - Aligned with House Side 4" Up from Top of Base - Aligned with House Side
<b>Outlet Options (Optional)</b>	D G	Standard Duplex GFI Duplex

\*1 Wall thickness is 0.125 aluminum

### Specifications

#### HOUSING:

356 HM high-strength, low-copper, proprietary cast aluminum alloy . 6063-T6 Extruded aluminum . Anchor rods are hot dipped galvanized steel .

#### FINISH:

A durable polyurethane enamel finish is applied after assemblies are shot blasted to create a surface profile which allows for the highest level of paint adhesion. Laboratory tested for superior weatherability and fade resistance in accordance with ASTM B-117-64 and ANSI/ASTM G53-77 specifications. For larger projects where a custom color is required, contact the factory for more information.

#### WARRANTY:

Three-year limited warranty.

#### OUTLET:

Standard Duplex Outlet has universal metal weatherproof cover. Weatherproof while in use. Heavy-duty all-metal construction. Lockable security cover. Meets NEC 406.9 (B). Weather resistant. GFI Duplex Outlet has dual-function indicator light, universal metal weatherproof cover. Weatherproof while in use. Heavy-duty all-metal construction. Lockable security cover. Meets NEC 406.9 (B). Weather resistant.

# P3120 P3120

## Pole

### Specifications

---

**Tenon/Top:**

3" OD

**Bolt Circle:**

8" - 13"

**Anchor Rods:**

(4) 3/4" dia. x 19"

**Base Dimensions:**

17" dia. x 29"

**Hand Hole :**

4" x 7 1/2"

**Shaft:**

5" to 3" Tapered

**Wall Thickness:**

0.188 Aluminum (14' and up)

**Wall Thickness:**

0.125 Aluminum up to 12'

**Height :**

12', 14', 16', 18'

### Pole EPA Values

---

Windspeed(mph)	Height			
	12'	14'	16'	18'
80	13.7700	13.5500	11.1400	9.7100
100	8.0900	7.7700	6.0200	5.1100

