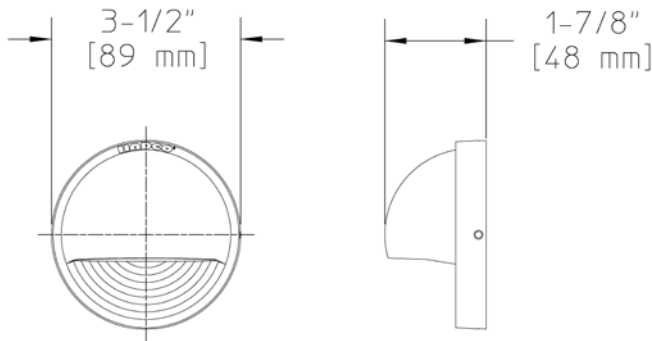


Project: _____
 Location: _____
 Cat.No: _____
 Type: _____
 Lamps: _____ Qty: _____
 Notes: _____



Ordering Guide

Example: DCL1 N LED2W

Product Code	DCL1	LED Brass Deck Light
Finish	N	Natural Brass
LED	LED2W	LED Lamp

Specifications

HOUSING:

Die-cast brass. Fasteners are 300 series stainless steel.

FINISH:

Natural Brass (N) is as-cast and tumble polished.

OPTICAL ASSEMBLY:

Frosted, annealed glass lens Reflector is Stamped Hammertone Aluminum

LAMPING:

Philips 12V LED 1.2W Capsule lamp. Up to 88% energy savins when compared to a 10W Capsule halogen lamp. Long lifetime of 15,000 hours (B50,L70). Operating temperature range is between -20C and 35C (ambient). Suitable for use in enclosed luminaires where the case temperature (Tc) remains below Tc MAX. Total Lumens = 105lm 10W maximum T3 bi-pin lamp. 10W T3 lamp is included with fixture. Lower wattage lamps are acceptable.

ELECTRICAL ASSEMBLY:

Bi-pin socket type (G4) with 250° C high temperature teflon coated wire leads. 12 volt fixture is pre-wired with 6-ft. pigtail of 18-2 AWG, 105° C, SPT-1W wire. Low voltage quick connector, catalog #LVC3 included for easy hook-up to the low voltage supply cable, not included. 12 Volt system requires remote transformer, not included.

INSTALLATION & MOUNTING:

Two (2) Stainless #8 wood screws (supplied) via key slots.

WARRANTY:

Five-year limited warranty.

CERTIFICATIONS:

ETL listed to U.S. safety standards for wet locations. cETL listed to Canadian safety standards for wet locations. Manufactured to ISO 9001:2008 Standards.

Height :	Width:	Depth:	Max. Weight:
3 1/2" (89mm)	3 1/2" (89mm)	1 7/8" (48mm)	0.95 lb

