

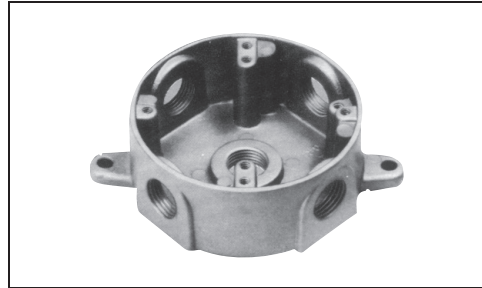
Standard Boxes and Covers

4" Round Boxes

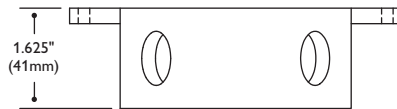
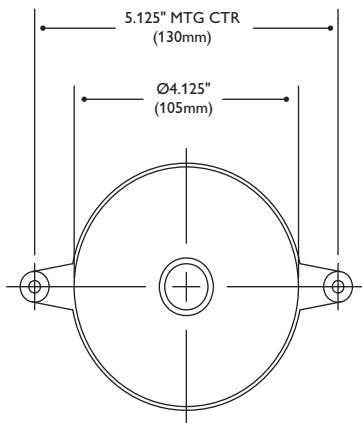
Features

- The Philips Keene 4" Round Boxes are constructed of die cast aluminum.

CSA Approved



Dimensions



Ordering information

Catalogue Number	Side Holes	Back Holes	Cover Holes	MTG Lugs	Plugs	Tap Size
75	4	1	No Cover	2	2	1/2"
75C	4	1	0	2	3	1/2"
753	4	1	No Cover	2	2	3/4"
753C	4	1	0	2	3	3/4"

Job Information

Type:

Job Name:

Cat. No.:

Lamp(s):

Notes: