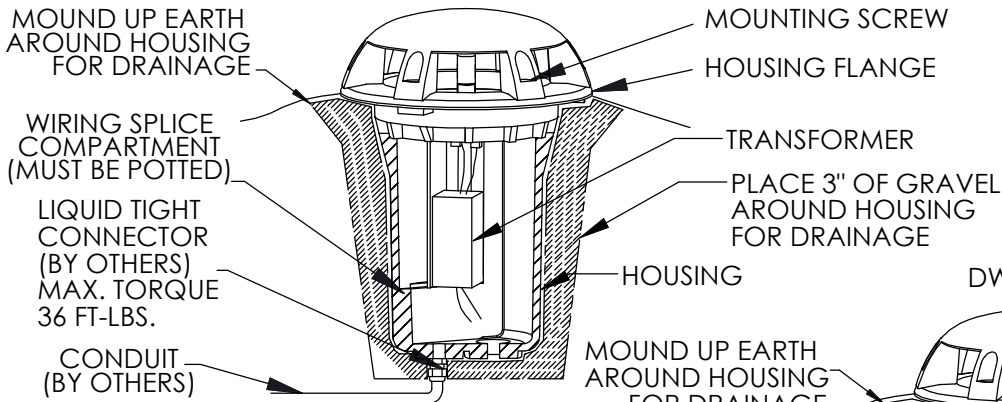
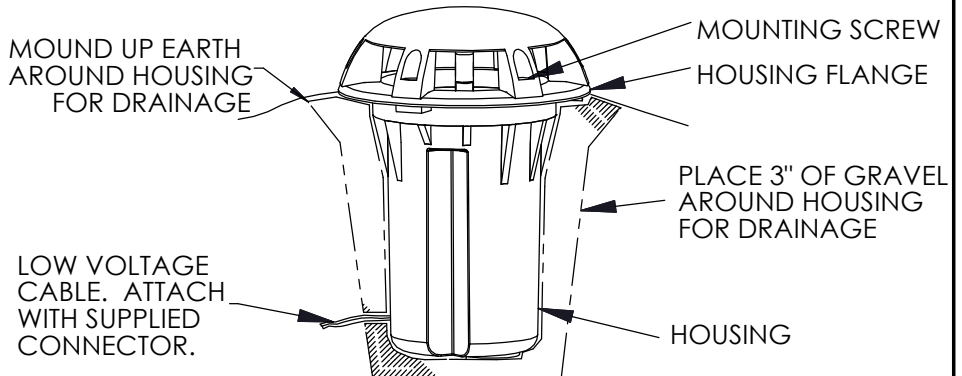


INSTALLATION INSTRUCTIONS: DWC2/DWCL2 - MINI INGROUND LIGHTS

DWC2 - 120V



DWCL2 - 12V



NOTE : FIXTURE STYLE MAY VARY WITH FIXTURE OPTIONS.



This fixture is intended for installation in accordance with the National Electrical Code and local code specifications. Failure to adhere to these codes and instructions may result in serious injury and/or damage to the ballast and void the warranty. These instructions do not purport to cover all details or variations in equipment, nor to provide for every possible contingency related to installation, operation, maintenance, or mounting situation. Should specific problems occur that are not addressed by these instructions, contact your Sales Representative or distributor for assistance. Retain these instructions for future reference.



SAFETY WARNING:

ALWAYS TURN FIXTURE OFF/DISCONNECT POWER AND ALLOW TO COOL BEFORE PERFORMING ANY MAINTENANCE, INCLUDING RELAMPING AND CLEANING!

This fixture can become very HOT! The fixture housing and lens, especially if it is glass, can become hot enough to blister hands. Attention should be paid to where the fixture is mounted, particularly if it can be touched by children or pets. To help prevent premature failure, decreased performance, overheating and risk of fire, keep fixture and lens clean and free of leaves, mulch, debris and mineral deposits from water. The fixture and lens can be cleaned using a soft cloth and a solution of mild liquid soap and warm water. Wipe clean and dry with a soft, lint-free dry cloth. Avoid polishing fixture or lens.



INSTRUCTIONS PERTAINING TO A RISK OF FIRE OR INJURY TO PERSONS IMPORTANT SAFETY INSTRUCTIONS - SAVE THESE INSTRUCTIONS!

WARNING - Lamp gets HOT quickly! To reduce the risk of FIRE OR INJURY TO PERSONS:

Do not operate fixture with a missing or damaged lens/lens assembly. Contact only switch or plug when turning fixture on or off. Do NOT touch hot lens, guard, enclosure or housing. Turn off or unplug fixture and allow to cool before relamping. Keep lamp away from combustibles. Do NOT touch lamp with bare hands at any time, use a soft cloth as oil from skin may damage lamp.

Xenon lamps do not require shielding.

CAUTION

1. The housing should not be installed in insulating materials such as bark, vermiculite, etc. for the full depth of the housing. However, surface use of these materials is acceptable.
2. Conduit entry ways should be properly sealed around threads and water entry through the conduit must be prevented. (120V fixtures only.)
3. The fixture should not be installed in low lying areas or where water may accumulate and stand for long periods of time. Soil should be mounded up around the fixture to promote drainage.

INSTALLATION - 120V FIXTURE (DWC2)

1. Excavate soil for fixture placement and conduit runs. Contour the hole to the shape of the housing, allowing 3" (minimum) around and under the housing for placement of gravel or granular material.
2. Loosen the three (3) fixture mounting screws, then remove the roof and lens and set them aside. Loosen the two screws holding the transformer assembly, and remove the assembly. Connect the conduit fitting(s) to the housing utilizing a thread sealant, and tighten to 36 ft-lbs maximum. Improper torque procedure may cause damage to the fixture housing and void the warranty. Connect the supply leads and ground the fixture. The contractor must pull a ground wire or make a ground connection to the metal conduit system.
3. In order to prevent water entry into the fixture, the conduit entry ways must be sealed and potted. Failure to pot conduit holes may cause water to enter the fixture voiding the warranty. HADCO recommends 3M 4442 encapsulant (HADCO part MA1). Replace the transformer assembly after the wiring and sealing are complete. Install the supplied lamp per the relamping instructions below.
4. Fill the excess space around the fixture with gravel, and mound dirt up to the flange of the fixture. The fixture may also be installed in concrete.
5. All gasket seating surfaces must be clean and free of debris before attempting to replace the fixture head. If debris in the screw holes prevents proper seating of the gasket, the holes must be blown clear. Replace the fixture head and tighten the screws.

INSTALLATION - 12V FIXTURE (DWCL2)

1. Excavate soil for fixture placement. Contour the hole to the shape of the fixture housing, allowing 3" (minimum) around and under the housing for placement of gravel or granular material.
2. Connect the low voltage cable to the supply cable using the supplied low voltage connector.
3. Place the fixture into the hole, and fill the excess space with granular material. Mound up earth to the fixture flange. The fixture may also be installed in concrete.
4. Install the supplied lamp per the relamping instructions below.

RELAMPING

Make sure the power is off before relamping. Loosen the three fixture mounting screws and remove the roof and lens. Remove the old lamp by pulling it straight out. Install the replacement lamp by pushing it straight into the socket. **WARNING : DO NOT TOUCH THE SURFACE OF THE LAMP.** Fingerprints on the lamp will cause it to fail prematurely. Clean the gasket area, and replace the lens and roof. Tighten the three screws, reconnect the power, and test for correct operation.