

Read and understand these instructions before installing luminaire (fixture).

This luminaire is intended for installation in accordance with the National Electrical Code and local regulations. To assure full compliance with local codes and regulations, check with your local electrical inspector before installation. To prevent electrical shock, turn off electricity at fuse box before proceeding. Allow fixture to cool before handling.

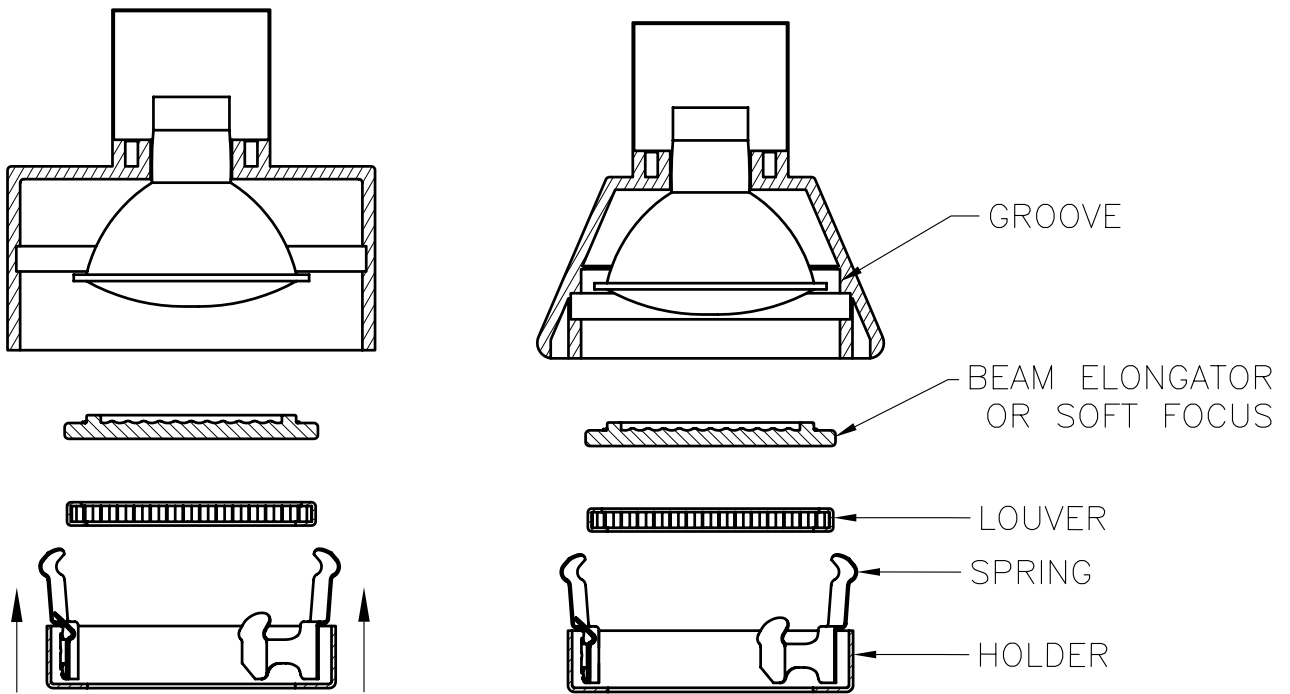
Retain these instructions for maintenance reference.

INSTALLATION INSTRUCTIONS FOR ACCESORIES INTO PAR-TECH® CONE AND CYLINDER SHADES

INSTRUCTIONS FOR INSTALLATION

1. Before installing accesories, assemble the shade to the PAR-TECH® adapter and install the lamp.
2. Place the desired accesories inside HOLDER (a max. of two accesories). Line up the HOLDER containing accesories so the SPRINGS are facing inside diameter of shade, then push in until it snaps into the inside groove.
3. For relamping, simply pull out HOLDER with accesories evenly; replace PAR lamp and push HOLDER back in.

****NOTE: LOUVER FRAGILE, USE CAUTION WHEN INSTALLIGN INSIDE HOLDER.****



SHADE ACCESORY	CYLINDER 16 # 8216 CONE 16 # 8215	CYLINDER 20 # 8226 CONE 20 # 8225	CYLINDER 30 # 8236 CONE 30 # 8235
HOLDER	# 8581	# 8582	# 8583
BEAM ELONGATOR	# AF2AS	# AF25AS	# AF3AS
SOLITE SOFT FOCUS LENS	# AF2SF	# AF25SF	# AF3SF
LOUVER		# AL25HC	# AL3HC