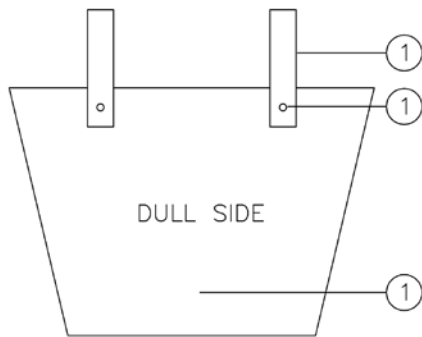


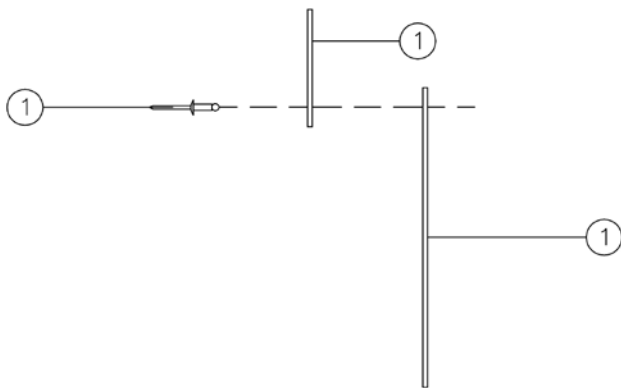
Project: \_\_\_\_\_  
Location: \_\_\_\_\_  
Cat.No: \_\_\_\_\_  
Type: \_\_\_\_\_  
Lamps: \_\_\_\_\_ Qty: \_\_\_\_\_  
Notes: \_\_\_\_\_



### Ordering Guide

Example: 042

Product Code	042	House Side Cutoff Shields
--------------	-----	---------------------------



### Specifications

#### CONSTRUCTION:

Aluminum reflective shield. One side dull. Roll shield before attaching supplied tabs.

