

Day-Brite

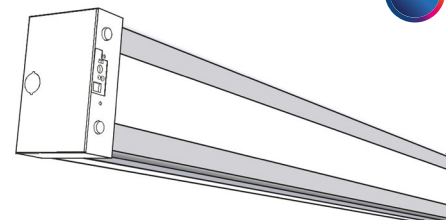
CFI

by Signify

Linear

Stairwell LED wall mount

2300, 2900, 3300, 3800 or 4200lm



The Day-Brite / CFI Stairwell LED wall mount offers bi-level lighting to balance energy savings with a feeling of security. An integrated motion sensor and bi-level ballast provide standby low level light, and upon detection of motion in a space, restores lighting to full brightness.

Project: _____
 Location: _____
 Cat.No: _____
 Type: _____
 Lamps: _____ Qty: _____
 Notes: _____

Ordering guide

Example: SF4C29A40UDZT-US-GLR

Family	Fixture Length	Vandal	Lens Type	Lumen Package	Color Temperature	Voltage	Driver Type	Sensor Type	Options
SF	4		C				-	-	
SF Surface luminaire	4 48" (Nominal size)	Blank V ¹ Standard product Vandal resistant	C White composite acrylic lens	23A 2300 nominal delivered lumens 33A 3300 nominal delivered lumens 38A 3800 nominal delivered lumens 42A 4200 nominal delivered lumens	40 4000K 35 3500K	U Universal voltage 120-277V 3 347V	DZT 0-10V dimming driver SZT 100/40 step dimming driver (38A only)	US UltraSonic OC Infrared	EMLED Integral emergency battery pack GLR Fusing, fast blow

1 End covers with T-15 Torx screws. Bit provided.

Lumen Charts

Lumen Package	Lumens	Input Watts	Efficacy l/w
23A	2971	24.00	123.8
33A	3298	26.50	124.4
38A	3896	31.20	124.9
42A	4241	34.90	121.5



SF Stairwell LED wall mount

2300, 2900, 3300, 3800, or 4200 lumens

Features

- Ideal for stairwells, restrooms, laundry rooms, storerooms and other areas where maximum light levels are not required on a constant basis.
- Bi-level luminaire operates at full light output when space is occupied, offering safety and security with full light output only as needed and switches to a low standby light level, providing energy conservation when the space is vacant.
- Optional integrated Low Voltage Ultrasonic (40Khz) Occupancy Sensor or Infrared Occupancy Sensor allowing bi-level light output operation.
- Optional sensor also allows for On or Off functionality.
- High efficiency LEDs have 50,000 hour rated life at L70.
- Predicted L70 lifetime is based on LED manufacturer's supplied LM-80 data and in-situ laboratory testing.
- Only 3 7/8" deep, meets Americans with Disabilities Act for wall mounted fixtures.
- Concealed spring assisted pressure latching retains lens.
- 20 gauge cold rolled steel post painted baked white enamel end caps.

- Consult local code authority for applications where Stairwell luminaire will be used as emergency lighting.
- Five-year warranty on luminaire, LED boards and driver.

Specifications

- **Materials:** Chassis Parts-Die-formed code gauge cold rolled steel. End Caps-20 gauge cold rolled steel.
- **Finish:** Chassis Exterior-Post painted white baked acrylic enamel. End Caps-Post painted baked white enamel. Rust preventative under-coating.
- **Lenses:** C-1/8" thick DR acrylic, unique co-extrusion, white opaque center, linear prisms to spread up/down light.
- **Electrical:** LED boards and drivers are RoHS (Restriction of Hazardous Substances) compliant.
- **Labels:** cULus listed for damp locations.

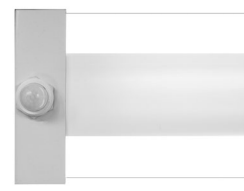
Sensor Options

US-Ultrasonic Occupancy Sensor



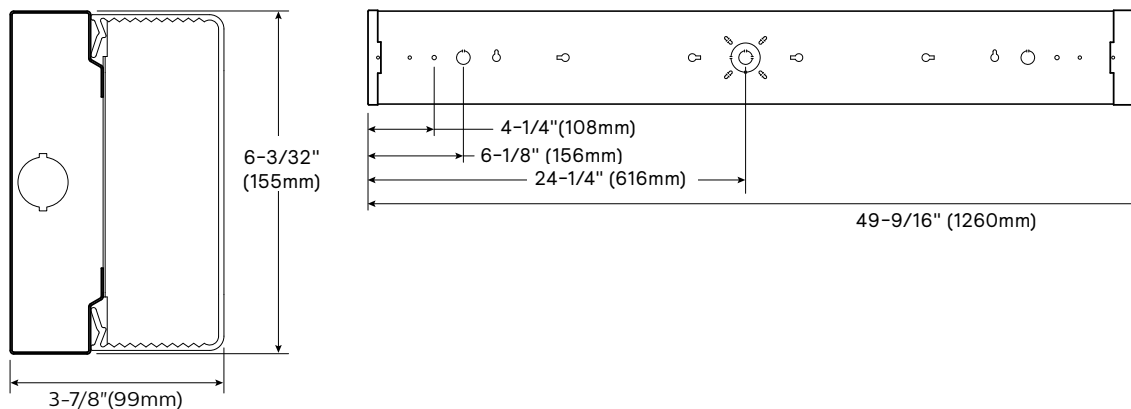
- Ultrasonic technology (40Khz) Ultrasonic detection operates by transmitting sound waves throughout an area and measuring the speed at which they return.

OC-Infrared Occupancy Sensor



- Adjustable time delay from 30 seconds to 30 minutes.
- Fixed sensitivity optimized for FS-LxW lens coverage.
- Light level daylighting feature from 10-120 fc.

Dimensions



© 2021 Signify Holding. All rights reserved. The information provided herein is subject to change, without notice. Signify does not give any representation or warranty as to the accuracy or completeness of the information included herein and shall not be liable for any action in reliance thereon. The information presented in this document is not intended as any commercial offer and does not form part of any quotation or contract, unless otherwise agreed by Signify.

Signify North America Corporation
200 Franklin Square Drive,
Somerset, NJ 08873
Telephone 855-486-2216

Signify Canada Ltd.
281 Hillmount Road,
Markham, ON, Canada L6C 2S3
Telephone 800-668-9008

All trademarks are owned by Signify Holding or their respective owners.