

# Day-Brite

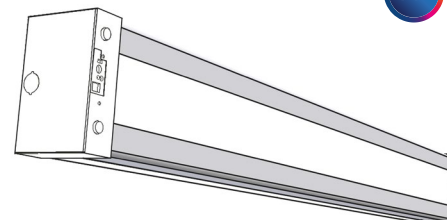
## CFI

by  Signify

### Linear

### Stairwell LED wall mount

2300, 2900, 3300, 3800 or 4200lm



The Day-Brite / CFI Stairwell LED wall mount offers bi-level lighting to balance energy savings with a feeling of security. An integrated motion sensor and bi-level ballast provide standby low level light, and upon detection of motion in a space, restores lighting to full brightness.

Project: \_\_\_\_\_  
 Location: \_\_\_\_\_  
 Cat.No: \_\_\_\_\_  
 Type: \_\_\_\_\_  
 Lamps: \_\_\_\_\_ Qty: \_\_\_\_\_  
 Notes: \_\_\_\_\_

#### Ordering guide

Example: SF4C29A40UDZT-US-GLR

Family	Fixture Length	Vandal	Lens Type	Lumen Package	Color Temperature	Voltage	Driver Type	Sensor Type	Options
SF	4		C				-	-	
SF Surface luminaire	4 48" (Nominal size)	Blank V <sup>1</sup> Standard product Vandal resistant	C White composite acrylic lens	<b>23A</b> 2300 nominal delivered lumens <b>29A</b> 2900 nominal delivered lumens <b>33A</b> 3300 nominal delivered lumens <b>38A</b> 3800 nominal delivered lumens <b>42A</b> 4200 nominal delivered lumens	<b>40</b> 4000K <b>35</b> 3500K	<b>U</b> Universal voltage 120-277V <b>3</b> 347V	<b>DZT</b> 0-10V dimming driver (only on/off when used with sensor) <b>SZT</b> 100/40 step dimming driver (bi-level when used with sensor)	<b>US</b> UltraSonic <b>OC</b> Infrared	<b>EMLED</b> Integral emergency battery pack <b>GLR</b> Fusing, fast blow

1 End covers with T-15 Torx screws. Bit provided.



# SF Stairwell LED wall mount

2300, 2900, 3300, 3800, or 4200 lumens

## Features

- Ideal for stairwells, restrooms, laundry rooms, storerooms and other areas where maximum light levels are not required on a constant basis.
- Bi-level luminaire operates at full light output when space is occupied, offering safety and security with full light output only as needed and switches to a low standby light level, providing energy conservation when the space is vacant.
- Optional integrated Low Voltage Ultrasonic (40Khz) Occupancy Sensor or Infrared Occupancy Sensor allowing bi-level light output operation.
- Optional sensor also allows for On or Off functionality.
- High efficiency LEDs have 50,000 hour rated life at L70.
- Predicted L70 lifetime is based on LED manufacturer's supplied LM-80 data and in-situ laboratory testing.
- Only 3 7/8" deep, meets Americans with Disabilities Act for wall mounted fixtures.
- Concealed spring assisted pressure latching retains lens.

- 20 gauge cold rolled steel post painted baked white enamel end caps.
- Consult local code authority for applications where Stairwell luminaire will be used as emergency lighting.
- Five-year warranty on luminaire, LED boards and driver.

## Specifications

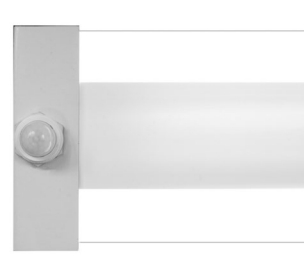
- Materials: Chassis Parts-Die-formed code gauge cold rolled steel. End Caps-20 gauge cold rolled steel.
- Finish: Chassis Exterior-Post painted white baked acrylic enamel. End Caps-Post painted baked white enamel. Rust preventative under-coating.
- Lenses: C-1/8" thick DR acrylic, unique co-extrusion, white opaque center, linear prisms to spread up/down light.
- Electrical: LED boards and drivers are RoHS (Restriction of Hazardous Substances) compliant.
- Labels: cULus listed for damp locations.

## Sensor Options

US-Ultrasonic Occupancy Sensor

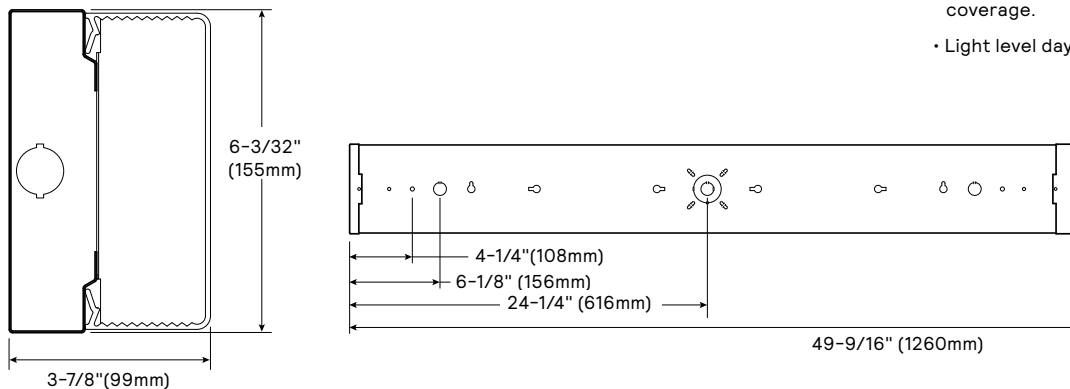


- Ultrasonic technology (40Khz) Ultrasonic detection operates by transmitting sound waves throughout an area and measuring the speed at which they return.



- Adjustable time delay from 30 seconds to 30 minutes.
- Fixed sensitivity optimized for FS-LxW lens coverage.
- Light level daylighting feature from 10-120 fc.

## Dimensions



© 2021 Signify Holding. All rights reserved. The information provided herein is subject to change, without notice. Signify does not give any representation or warranty as to the accuracy or completeness of the information included herein and shall not be liable for any action in reliance thereon. The information presented in this document is not intended as any commercial offer and does not form part of any quotation or contract, unless otherwise agreed by Signify.

Signify North America Corporation  
200 Franklin Square Drive,  
Somerset, NJ 08873  
Telephone 855-486-2216

Signify Canada Ltd.  
281 Hillmount Road,  
Markham, ON, Canada L6C 2S3  
Telephone 800-668-9008

All trademarks are owned by Signify Holding or their respective owners.