



Hadco Grosse Pointe post top family is a simple modern take on the traditional lantern, providing style and elegance to downtown areas, commercial developments, parks and residential communities. Powered by TrueForce LED lamp, Grosse Pointe provides longevity and energy savings. TrueForce LED lamp is shipped with the luminaire.

Project: _____
 Location: _____
 Cat.No: _____
 Type: _____
 Lumens: _____ Qty: _____
 Notes: _____

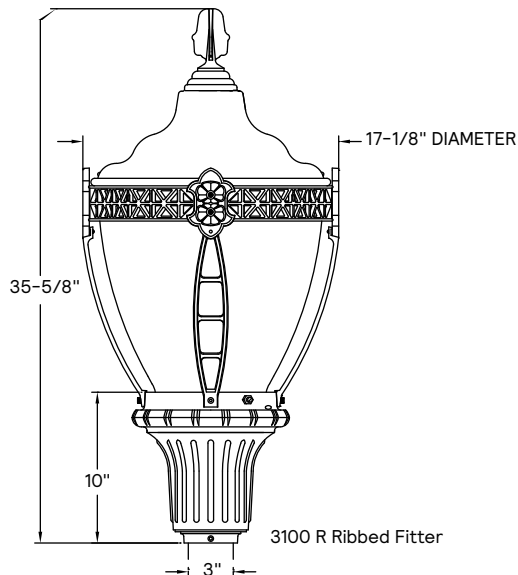
Ordering guide

Example: 3100-D-BLK-T-D-26L730-E-T0-B-G-A

Series	Fitter	Finish	Globe	Socket	Wattage	Voltage	Distribution	Photo control	Cage	Finial
3100							T0			
3100 Grosse Pointe	D Decorative R Ribbed	BLK Black BRZ Bronze FGN Forest Green VGN Verde WHT White	T Clear, Clear Top U Clear Spun Top	D Medium G Mogul	26L730 ¹ 26L740 ¹ 35L730 ² 35L740 ² 38L730R ² 38L740R ² 55L730 ² 55L740 ²	E 120V F 208 V G 240V H 277V	T0 Bare Lamp	B Button Eye N None	G Grosse Pointe N None	A Acorn M Maple Leaf P Grosse Pointe N None

- 1. Only available with medium (D) socket
- 2. Only available with mogul (G) socket

Dimensions



- Width:** 15" / 38cm or 15-1/2" / 39cm or 17-1/8" / 44cm diameter
- Height:** 32-1/4" / 82cm or 35-5/8" / 90cm
- Fitter:** 3" / 8cm I.D.
- EPA:** 2.02 sq. ft (maximum)
- Weight:** 30 lbs / 13.61 kg (maximum)

3100 Grosse Pointe

Post top

LED Wattage and Lumen Values: Grosse Pointe 3100

Textured Clear Globe 3000K		Lamp		
Ordering Code:	Average System Wattage (W)	Delivered Lumens	Efficacy (LPW)	BUG Rating
T-26L730-T0	26W	2313	90	B1-U4-G2
T-35L730-T0	35W	3696	109	B1-U5-G3
T-38L730R-T0	38W	3734	100	B1-U5-G3
T-55L730-T0	55W	5833	112	B2-U5-G3

Textured Clear Globe w/ Spun Top 3000K		Lamp		
Ordering Code:	Average System Wattage (W)	Delivered Lumens	Efficacy (LPW)	BUG Rating
U-26L730-T0	26W	1871	73	B1-U3-G2
U-35L730-T0	35W	2990	89	B1-U4-G3
U-55L730-T0	55W	4719	91	B2-U5-G3

Textured Clear Globe 4000K		Lamp		
Ordering Code:	Average System Wattage (W)	Delivered Lumens	Efficacy (LPW)	BUG Rating
T-26L740-T0	26W	2484	101	B1-U4-G2
T-35L740-T0	35W	3696	108	B1-U5-G3
T-38L740R-T0	38W	4170	110	B1-U5-G3
T-55L740-T0	55W	6264	121	B2-U5-G3

Textured Clear Globe w/ Spun Top 4000K		Lamp		
Ordering Code:	Average System Wattage (W)	Delivered Lumens	Efficacy (LPW)	BUG Rating
U-26L740-T0	26W	2010	81	B1-U3-G2
U-35L740-T0	35W	2990	87	B1-U4-G3
U-55L740-T0	55W	5067	98	B2-U5-G3

Values from photometric tests performed in accordance with IESNA LM-79 and are representative of the configurations shown. Actual performance may vary due to installation and environmental variables, LED and driver tolerances, and field measurement considerations. It is highly recommended to confirm performance with a photometric layout.

NOTE: Some data may be scaled based on tests of similar (but not identical) luminaires. Contact factory for configurations not shown.

Specifications:

Housing

Access Mechanism: Fitter slips over 3" diameter post or tenon.

Globe:

T - Lg. Clear Textured Polycarbonate

U - Lg. Clear Textured Polycarbonate w/ Spun Top

LED lamp

Lamp included. Medium or Mogul Base socket lamp, composed of high-performance white LEDs. Color temperature, 3000 or 4000 Kelvin, CRI 70 Nominal. Power factor of 90% minimum. Electronic driver, operating range 50/60 Hz. Auto-adjusting universal voltage input from 120 to 277 VAC. Maximum ambient operating temperature from -40F(-40C) to 130F(55C)

Luminaire Useful Life

50,000 hours L70 25C

Hardware

All non-ferrous fasteners prevent corrosion and ensure longer life.

Wiring

18 AWG wire, 6" (152mm) minimum exceeding from luminaire.

Finish

Color in accordance with the AAMA 2603 standard. Application of polyester powder coat paint (4 mils/100 microns) with \pm 1 mils / 24 microns of tolerance. The Thermosetting resins provides a discoloration resistant finish in accordance with the ASTM D2244 standard, as well as luster retention in keeping with the ASTM D523 standard and humidity proof in accordance with the ASTM D2247 standard. The surface treatment achieves a minimum of 2000 hours for salt spray resistant finish in accordance with testing performed and per ASTM B117 standard.

Quality Control

The manufacturer must provide a written confirmation of its ISO 9001 2008 and ISO 14001 2004 International Quality Standards Certification.

Certifications and Compliance

ETL Listed to U.S. safety standards for wet locations. cETL Listed to Canadian safety standards for wet locations.

Warranty

5 year extended warranty. Go to www.signify.com/warranties for more information.

The information presented in this document is not intended as any commercial offer and does not form part of any quotation or contract.

