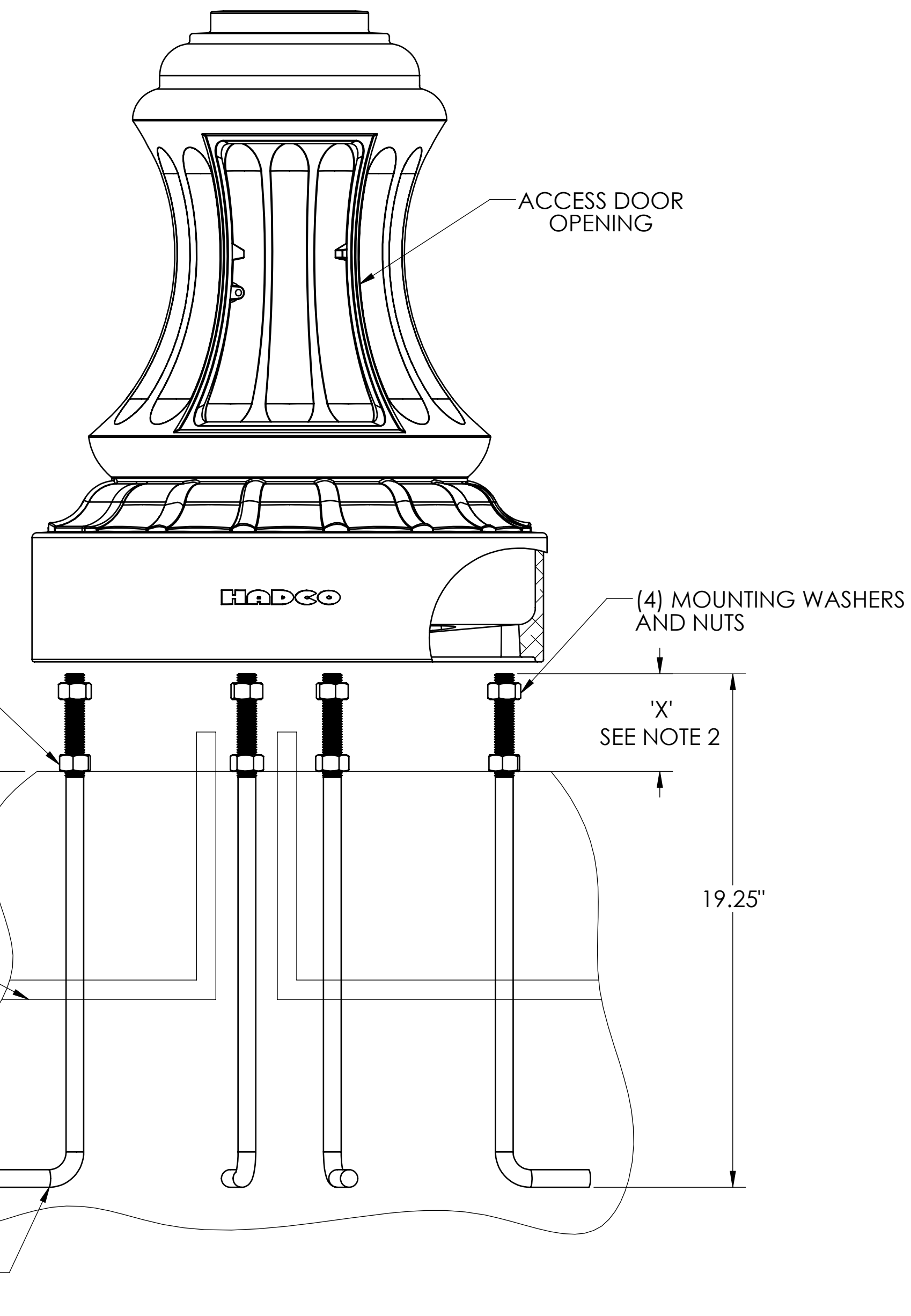


VERIFY BOLD LINE IS 8" LONG



- NOTES:**
- SUGGESTED BOLT CIRCLE: 12" DIAMETER
 MAXIMUM BOLT CIRCLE: 16" DIAMETER
 MINIMUM BOLT CIRCLE: 8" DIAMETER
 - HADCO STRONGLY RECOMMENDS USING LEVELING NUTS TO MOUNT THE POST BASE. IF FOUNDATION IS NOT LEVEL, INCREASE 'X' DIMENSION ACCORDINGLY WHEN USING LEVELING NUTS WITH WASHERS.

 X = 3-3/8" WITH LEVELING NUTS
 X = 2-3/8" WITHOUT LEVELING NUTS
 - IF USING GROUTING TO CONCEAL GAP BETWEEN BASE AND FOUNDATION, ALLOW FOR WATER DRAINAGE.

HADCO by ignify	CONFIDENTIAL: This drawing is confidential and proprietary to Signify Holdings and may not be reproduced in whole or in part without the express written consent of Signify Holdings. © 2018 Signify Holdings. All rights reserved.		TITLE: TEMP_AR_P2100 SERIES POST (FULL SIZE)
	UNLESS OTHERWISE SPECIFIED: *ALL DIMENSIONS ARE IN INCHES. *ALL THREADS ARE UNC-2B OR UNF-2B AFTER COATING. *ALL THREADS ARE TO BE VERIFIED WITH A THREAD GAGE.	DRAWN BY: MATT PRESSEL CHECKED BY: APPR BY: BILL DORON	DRW SIZE: D DATE: 09/30/09 DATE: 01/12/10
* DO NOT SCALE THIS DRAWING *		EF-04-01-11 Rev.09 SCALE 1:1 SHEET 1 OF 1	PART NO: 101000901