

Day-Brite

CFI

by  Signify

Special Application

CRF series recessed flange

Cleanroom
T5, T5HO, or T8



Project: _____
 Location: _____
 Cat.No: _____
 Type: _____
 Lamps: _____ Qty: _____
 Notes: _____

The Day-Brite / CFI CRF series recessed flange troffer is a cleanroom luminaire with hinged door designed to meet the criteria for critical environments in recessed mount applications.

Ordering guide

Example: **CRF24-432-UNV-A-2/2-EB**

Family	No. of Lamps	Lamp Type ¹	Voltage	Lens Type	No. of Ballasts	Ballast Type	Options
CRF14	1x4	2 Two lamps	14 14WT5	UNV Universal voltage, 120-277V	1/2 One 2 lamp ballast	EB Electronic ballast, <10% THD, T8 instant start, T5 rapid start	E7 860 emerg. ballast, T8, 600-700 lumens, 120/277V ^{2,3}
CRF22	2x2	3 Three lamps	17 17WT8	120 120V	1/3 One 3 lamp ballast	EB10R Electronic ballast, T8 rapid start, <10% THD	E5 B50 emerg. ballast, U.S. or Canada market, T8, 1100-1400 lumens, UNV ^{2,3}
CRF24	2x4	4 Four lamps (2x2 & 2x4)	24HO 24WT5HO	277 277V	1/4 One 4 lamp ballast	SB Specified ballast	E7LP LP550 emerg. ballast T5/T5HO, 430-700 lumens, 120/277V ^{2,3}
		6 Six lamps (2x4)	28 28WT5 (48")	347 347V	2/1 Two 1 lamp ballasts		E6LP LP600 emerg. ballast U.S. or Canada market, T5/T5HO, 750-1325 lumens, 120/277V ^{2,3}
			32 32WT8 (48")		2/2 Two 2 lamp ballasts		SS Stainless steel housing, brushed stainless steel door
			54HO 54WT5HO (48")		2/3 Two 3 lamp ballasts		SSD CRS housing, brushed stainless steel door
					1/21 2 lamp & 1 lamp ballasts		ALUM .050" painted aluminum housing and door
					1/42 4 lamp & 2 lamp ballasts		ADP CRS housing, .050" painted aluminum door, CRS housing
							GLR Fusing, fast blow
							AG Agion™ antimicrobial protection in powder coat paint (white finish only)
							NLF7 7W PL Night Light ³
							NLEDS LED nightlight ³ (120V only)

Accessories (order separately)

- PF-CRF14 1x4 Plaster Frame
- PF-CRF22 2x2 Plaster Frame
- PF-CRF24 2x4 Plaster Frame

Footnotes

- ¹ Lamps supplied by others.
- ² Specify voltage.
- ³ Limited availability in 2 ft. luminaire. Consult factory.

General Notes

- Many luminaire components, such as reflectors, refractors, lenses, sockets, lampholders, and LEDs are made from various types of plastics which can be adversely affected by airborne contaminants. If sulfur based chemicals, petroleum based products, cleaning solutions, or other contaminants are expected in the intended area of use, consult factory for compatibility.



CRF Recessed flange troffer

Cleanroom, T5, T5HO, or T8

Standards

- ETL (US/Canada) Wet Location listed.
- Suitable for Class 100, 1,000, 10,000, 100,000 environments.
- NSF2 Food Zone/Non-Contact and Splash Zone.

Construction/Finish

- 18-gauge cold rolled steel "hole-free" housing with welded seams. Optional stainless steel or aluminum housing available.
- 18-gauge one-piece cold rolled steel door with concealed pin hinges. Optional brushed stainless steel or aluminum door available.
- Captive stainless steel Phillips flat head fasteners are standard.
- Standard baked white polyester powder coat paint finish. Multi-stage pretreatment process. Salt spray 1,000 hours.

Lens

- Standard .125" prismatic acrylic lens with smooth side exposed to facilitate cleaning. Optional lensing shown below.
- Continuous formed channels for positive lens retention.
- Lens and door sealed with closed cell neoprene sponge door and lens gasketing.

Electrical

- Standard Class P, sound rated A electronic ballast. Other ballast options available.

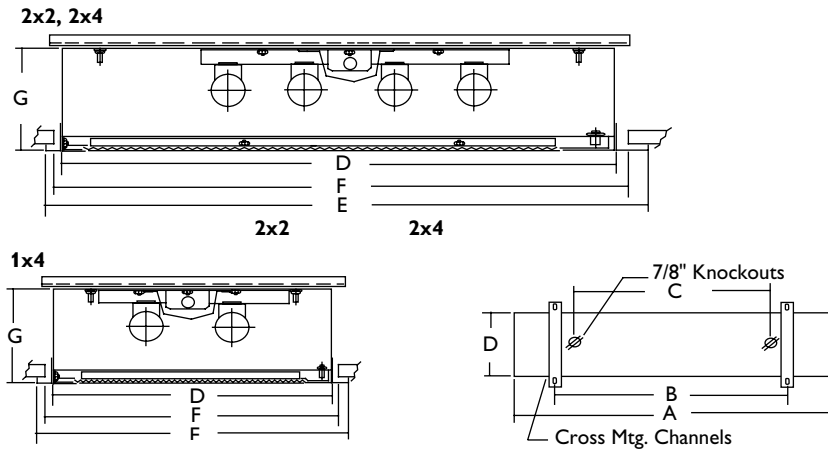
Installation

- Cross mounting channels supplied. Support above plenum by others. For more information on channels, see individual spec sheet.
- Not suitable for grid ceilings.
- Optional plaster frame available. For more information on plaster frames, consult individual spec sheet.
- Flattened 7/8" knocks in top and ends of housing.

Option

- Agion™ Antimicrobial protection using silver technology inhibits bacterial colonization on metal interior and exterior surfaces. Agion™ antimicrobial FDA recognized and EPA registered, meeting all applicable EPA standards. Only available with standard white finish.

Dimensions



Size	A	B	C	D	E	F	G
14	48.125"	38"	32"	11.5"	12.5"	12"	4.5"
22	23.813"	21"	16"	23.5"	25"	24"	4.5"
24	48.125"	38"	32"	23.5"	24.5"	24"	4.5"



Some luminaires use fluorescent or high intensity discharge (HID) lamps that contain small amounts of mercury. Such lamps are labeled, "Contain Mercury" and/or the symbol "HG". Lamps that contain mercury must be disposed of in accordance with local requirements. Information regarding lamp recycling and disposal can be found at www.lamprecycle.org

