

Made from a one-piece, seamless 5-9/16" round (141 mm) high-tensile carbon steel shaft sealed by a rolled and flattened vertical weld seam and welded over and in a 8-5/8" round (219 mm) high-tensile carbon-steel pole base. The assembly is welded to both the top and bottom of a steel anchor plate.

Project: _____
 Location: _____
 Cat.No: _____
 Type: _____
 Lamps: _____ Qty: _____
 Notes: _____

Ordering guide

example: SSM8-V-18-DE-BE2TX

Pole Family	Wall Thickness	Nominal Height	Options	Finish
SSM8				
SSM8	V 0.25"	18 18'	DE Pole base buried 5' (1524 mm) in the ground	BE2TX Midnight Blue Textured
		20 20'	LS Provision for loudspeaker outlet	BE6TX Ocean Blue Textured
		22 22'	PH7 Button-type photoelectric cell (specify operating voltage)	BE8TX Royal Blue Textured
		24 24'	PH8 Quarter-turn type photoelectric cell (specify operating voltage)	BG2TX Sandstone Gold Textured
		26 26'	DR Duplex receptacle (120V line voltage only)	BKTX Black Textured
		28 28'	GFI DR with common ground fault interrupter (120V line voltage only)	BRTX Bronze Textured
			BA Banner arm	GN4TX Blue Green Textured
			PS Plant support	GN6TX Forest Green Textured
			MPL Mid-pole luminaire	GN8TX Dark Forest Green Textured
				GNTX Green Textured
				GY3TX Medium Grey Textured
				RD2TX Burgundy Textured
				RD4TX Scarlet Textured
				WHTX White Textured
				GR Gray Sandtex
				NP Natural Alum.
				TG Hammer-tone
				TS Hammer-tone Silver

Note: The recommended method for calculating EPA (Effective Projected Area) is in accordance with AASHTO 2001 standards: for three seconds, the pole is tested in wind gusts equivalent to the strongest winds on record over the past 50 years, and with a 50 pound load (22.7 kg) placed at 1 foot (305 mm) above its center.

Outdoor Poles and Brackets

SSM8 – Round Steel Bottleneck Pole

Pole Data

Pole Family	Catalog Number	Nominal Height (ft)	Nominal Height (m)	Tenon Section (in)	Tenon Section (mm)	Wall Thickness (in)	Wall Thickness (mm)	Weight (lbs)	Weight (kg)	EPA Rating 90 MPH (sq. ft.)	EPA Rating 110 MPH (sq. ft.)	EPA Rating 120 MPH (sq. ft.)	EPA Rating 150 MPH (sq. ft.)	Anchor Bolts (in)	Anchor Bolts (mm)
SSM8	SSM8V-18	18	5.49	5 9/16	141	0.25	6.4	258	117	30	30	30	21.2	1-36	25-914
SSM8	SSM8V-20	20	6.1	5 9/16	141	0.25	6.4	287	130	30	30	27.43	17.66	1-36	25-914
SSM8	SSM8V-22	22	6.71	5 9/16	141	0.25	6.4	315	143	30	27.47	23.19	14.88	1-36	25-914
SSM8	SSM8V-24	24	7.32	5 9/16	141	0.25	6.4	344	156	30	23.4	19.73	12.62	1-36	25-914
SSM8	SSM8V-26	26	7.93	5 9/16	141	0.25	6.4	372	156	29.46	20.04	16.88	10.73	1-36	25-914
SSM8	SSM8V-28	28	8.54	5 9/16	141	0.25	6.4	400	182	25.36	17.19	14.44	9.13	1-36	25-914

Specifications

Joint cover

Made from two pieces of cast aluminum mechanically fastened to the junction with stainless steel hardware.

Base cover

Decorative base cover made from cast-aluminum pieces mechanically assembled together with stainless steel hardware around base of the pole.

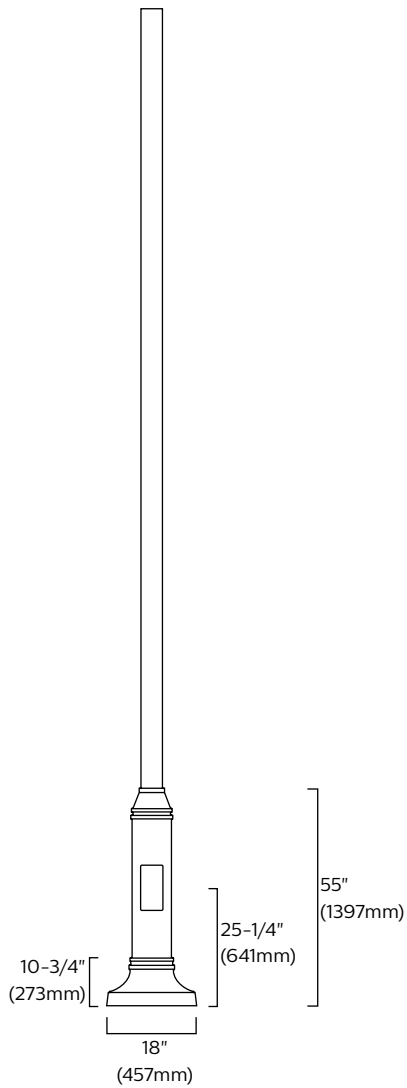
Finish

Color to be in accordance with the AAMA 2603 standard. Application of polyester powder coat paint (4 mils/100 microns) with ± 1 mils/24 microns of tolerance. The Thermosetting resins provides a discoloration resistant finish in accordance with the ASTM D2244 standard, as well as luster retention in keeping with the ASTM D523 standard and humidity proof in accordance with the ASTM D2247 standard.

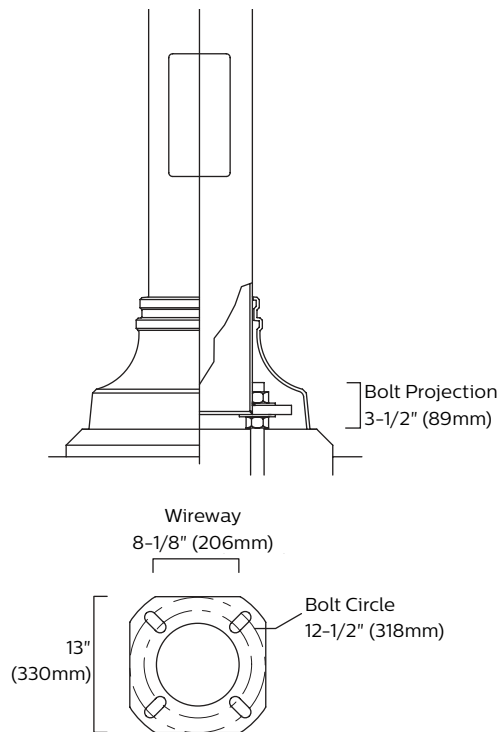
Outdoor Poles and Brackets

SSM8 – Round Steel Bottleneck Pole

Dimensions



Base Details



Comes with 4 anchor bolts,
8 nuts and 8 washers.
B.C. from: 11" to 13" (289 to 330mm)

