

Made from a one-piece, seamless 5-9/16" round (141 mm) tube of extruded aluminum welded over and in a 8-5/8" round (219 mm) extruded-aluminum pole base. The assembly is welded to both the top and bottom of a cast aluminum anchor plate. A 4-1/2" by 10" (114 by 254 mm) maintenance opening is complete with cover and copper ground lug.

Project: _____

Location: _____

Cat.No: _____

Type: _____

Lamps: _____ Qty: _____

Notes: _____

Ordering guide

example: SAM8-V-12-DE-BE2TX

Pole Family	Wall Thickness	Nominal Height	Options	Finish
SAM8				
SAM8	V 0.258"	12 12'	DE Pole base buried 5' (1524 mm) in the ground	BE2TX Midnight Blue Textured
		13 13'	LS Provision for loudspeaker outlet	BE6TX Ocean Blue Textured
		14 14'	PH7 Button-type photoelectric cell (specify operating voltage)	BE8TX Royal Blue Textured
		15 15'	PH8 Quarter-turn type photoelectric cell (specify operating voltage)	BG2TX Sandstone Gold Textured
		16 16'	DR Duplex receptacle (120V line voltage only)	BKTX Black Textured
		18 18'	GFI DR with common ground fault interrupter (120V line voltage only)	BRTX Bronze Textured
		20 20'	BA Banner arm	GN4TX Blue Green Textured
		22 22'	PS Plant support	GN6TX Forest Green Textured
		23 23'	MPL Mid-pole luminaire	GN8TX Dark Forest Green Textured
			GY3TX Medium Grey Textured	
			RD2TX Burgundy Textured	
			RD4TX Scarlet Textured	
			WHTX White Textured	
			GR Gray Sandtex	
			NP Natural Alum.	
			TG Hammer-tone	
			TS Hammer-tone Silver	

Note: The recommended method for calculating EPA (Effective Projected Area) is in accordance with AASHTO 2001 standards: for three seconds, the pole is tested in wind gusts equivalent to the strongest winds on record over the past 50 years, and with a 50 pound load (22.7 kg) placed at 1 foot (305 mm) above its center.

Outdoor Poles and Brackets

SAM8 – Round Aluminum Bottleneck Pole

Pole Data

Pole Family	Catalog Number	Nominal Height (ft)	Nominal Height (m)	Tenon Section (in)	Tenon Section (mm)	Wall Thickness (in)	Wall Thickness (mm)	Weight (lbs)	Weight (kg)	EPA Rating 90 MPH (sq. ft.)	EPA Rating 110 MPH (sq. ft.)	EPA Rating 120 MPH (sq. ft.)	EPA Rating 150 MPH (sq. ft.)	Anchor Bolts (in)	Anchor Bolts (mm)
SAM8	SAM8V-12	12	3.66	5 9/16	141	0.258	6.5	64	29	30	28.46	23.89	15.14	1-36	25-914
SAM8	SAM8V-13	13	3.97	5 9/16	141	0.258	6.5	69	31	30	26.14	21.9	13.84	1-36	25-914
SAM8	SAM8V-14	14	4.27	5 9/16	141	0.258	6.5	74	34	30	23.95	20.17	12.7	1-36	25-914
SAM8	SAM8V-15	15	4.57	5 9/16	141	0.258	6.5	79	36	30	21.56	18.15	11.59	1-36	25-914
SAM8	SAM8V-16	16	4.88	5 9/16	141	0.258	6.5	84	38	29.06	19.61	16.48	10.47	1-36	25-914
SAM8	SAM8V-18	18	5.49	5 9/16	141	0.258	6.5	94	43	23.66	15.86	13.3	8.4	1-36	25-914
SAM8	SAM8V-20	20	6.1	5 9/16	141	0.258	6.5	104	47	19.5	12.99	10.86	6.78	1-36	25-914
SAM8	SAM8V-22	22	6.71	5 9/16	141	0.258	6.5	115	52	16.19	10.71	8.91	5.49	1-36	25-914
SAM8	SAM8V-23	23	7.01	5 9/16	141	0.258	6.5	120	54	14.78	9.71	8.07	4.94	1-36	25-914

Specifications

Joint cover

Made from two pieces of cast-aluminum mechanically fastened to the junction with stainless steel hardware.

Base cover

Decorative base cover made from cast-aluminum pieces mechanically assembled together with stainless steel hardware around base of the pole.

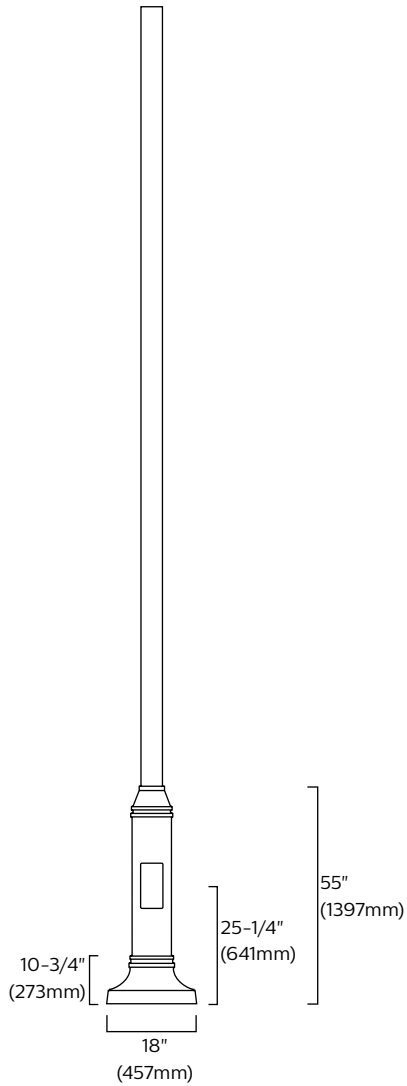
Finish

Color to be in accordance with the AAMA 2603 standard. Application of polyester powder coat paint (4 mils/100 microns) with ± 1 mils/24 microns of tolerance. The Thermosetting resins provides a discoloration resistant finish in accordance with the ASTM D2244 standard, as well as luster retention in keeping with the ASTM D523 standard and humidity proof in accordance with the ASTM D2247 standard.

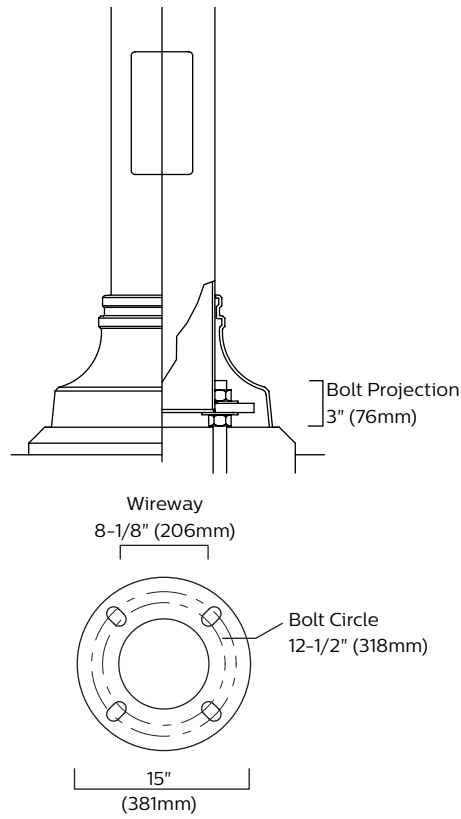
Outdoor Poles and Brackets

SAM8 – Round Aluminum Bottleneck Pole

Dimensions



Base Details



Comes with 4 anchor bolts,
8 nuts and 8 washers.
B.C. from: 10-3/4" to 13" (273 to 330mm)

