



**Day-Brite/CFI ClearAppeal LED** recessed is a fully luminous aperture luminaire providing modern appeal to architectural spaces. Featuring a regressed aesthetic with balanced glare gradient, ClearAppeal delivers high performing even illumination and high visual comfort. Its architectural style, coupled with controls options, makes ClearAppeal an ideal choice for applications such as office, institutional, and healthcare, where energy savings and customized effect are desired.

Project: \_\_\_\_\_  
 Location: \_\_\_\_\_  
 Cat.No: \_\_\_\_\_  
 Type: \_\_\_\_\_  
 Qty: \_\_\_\_\_  
 Notes: \_\_\_\_\_

Base configurations are indicated in blue. Standard configurations are available with all choices, unless otherwise noted.

#### Ordering guide (standard & wireless controls)

example: 2CAZG45L840-2-DS-UNV-DIM-DAYOCC-EM06

Series	Ceiling Type	Lumens (nominal delivered)	Color (CRI/CCT)	Length	Center Diffuser	Voltage	Driver	Options
<b>2CAZ</b>	<b>G</b>		-	<b>2</b>	<b>DS</b>	-	-	
2CAZ ClearAppeal 2x2' gen 3	G Grid	<b>Base configs</b>	<b>835</b> 80 CRI, 3500K	2 2ft	<b>DS</b> Diffuse (smooth)	<b>UNV</b> Universal Voltage, 120-277V	<b>DIM<sup>1</sup></b> Dimming <b>SDIM</b> Step dimming to 40% input power	<b>F1</b> 3/8" flex, 18ga. 6'; 3 leads include hot, neutral, ground
		<b>38B</b> 3800 <b>45B</b> 4500	<b>840</b> 80 CRI, 4000K					<b>F2</b> 3/8" flex, 18ga. 6'; 4 leads include 2 hots, neutral, ground
		<b>Standard configs</b>	<b>850</b> 80 CRI, 5000K			<b>347</b> 347V	<b>LDE1</b> Lutron LDE1, 1% dimming <b>DALI</b> DALI dimming	<b>F2/5W<sup>9</sup></b> 3/8" single flex, 18ga. 6' (for dimmable); 5 leads include hot, neutral, ground, Dim+ / Dim-
		<b>20L</b> 2000 <b>30L</b> 3000 <b>38L</b> 3800 <b>45L</b> 4500 <b>54L</b> 5400						<b>F2/6W<sup>9</sup></b> 3/8" single flex, 18ga. 6' (for dim & EM); 6 leads include 2 hot, neutral, ground, Dim+ / Dim-
		Other options may be ordered in increments of 100lm from 2000 to 5400lm						<b>GLR</b> Fusing, fast blow <b>DSC</b> Quick driver disconnect <b>CHIC</b> Chicago Plenum rated <b>EM06<sup>4</sup></b> Bodine BSL06T3 6W battery pack <b>EM10<sup>4</sup></b> Bodine BSL10T3 10W battery pack <b>GTD/E<sup>3,5</sup></b> UL924 listed Bodine GTD factory installed on driver input
								<b>GTD/SNSR<sup>3,4,5,6</sup></b> UL924 listed Bodine GTD factory installed between driver & sensor
								<b>DAYOCC<sup>9</sup></b> Basic sensor with daylighting & occupancy <b>SWZCS<sup>1,7,8</sup></b> Interact wireless sensor with integral daylight & occupancy sensing, advanced grouping with dwell time
								<b>RADIO<sup>1,7,8</sup></b> Interact RF sensor for wireless connectivity only, no sensing
								<b>IAOSB<sup>1,7,8</sup></b> Interact Pro wireless sensor with occupancy, daylight, & environmental sensing capabilities
								<b>AG</b> Antimicrobial Finish

#### Accessories (order separately)

- **FSF422** - 2'x2' surface mount field installation kit (field assembled)
- **FMA22** - 2'x2' "F" mounting frame for NEMA "F" ceiling

#### SWZCS accessories (order separately)

- **IRT9015** - handheld remote for grouping and configuration (at least one remote required for any SWZCS installation)

#### Replacement Lens

- **CAZGDS22L** - Replacement Lens
- **CAZGDS22LC** - Replacement Control Lens

#### Footnotes

1. Integral controls option dimmable to 5% via wireless wall switch (non-controls). 0-10v dimmable to 1% for Standard configurations, and to 10% for Base configurations.
2. Specify only with -DIM driver option (Integrated sensor options).
3. Not available with 347V.(BSL6/10/14, GTD, nor GLR).
4. ER100 not available with Bodine EM battery packs. ER100 only available with sensor options.
5. Must be installed in conjunction with a UL1008 device.
6. Must be ordered with an integral sensing option.
7. Must order IRT9015 Interact commissioning remote with each system order.
8. Flex with dimming not available with sensors.
9. Third party sensors also available, please enquire about options for Lutron Athena, Vive, or others.

Not all product variations listed on this page are DLC qualified. To ensure that a specific model is qualified, visit [www.designights.org/search](http://www.designights.org/search)



interact  
ready.

# CAZ ClearAppeal recessed 2x2

## 2000 to 5400 lumens

### Application

- Ideal for modern offices, institutional, retail, and healthcare applications.
- Modern architectural styling to complementary space.
- Full width luminous lens provides smooth brightness and high visual comfort.
- Directs a controlled amount of light to higher angles to eliminate "cave effect" without creating glare.
- 80 CRI minimum source provides a balanced spectral power distribution.
- Suitable for use with NEMA G (15/16") and NFG (9/16") suspended t-grid ceilings. NEMA F flange ceilings require the FMA24 accessory (ordered separately).

### Environment

- Rated for dry or damp locations in operating ambient temperatures 0–30°C (32–86°F). Many luminaire components, such as reflectors, refractors, lenses, sockets, lampholders, and LEDs are made from various types of plastics which can be adversely affected by airborne contaminants. If sulfur based chemicals, petroleum based products, cleaning solutions, or other contaminants are expected in the intended area of use, consult factory for compatibility. Not suitable for natatorium environments.

### Construction/Finish

- Robust and durable die-formed embossed steel housing and end caps.
- Molded one-piece acrylic diffuser may be removed without tools for easy replacement.
- T-bar grid clips are built into luminaire end caps for quick and easy installation, no extra parts.
- Sheet metal components are multi-stage phosphate treated for maximum corrosion resistance and finish coat is high reflectance baked white enamel.

### Validation

- cETLus listed for use in damp locations
- Rated for direct contact with insulation (IC)
- CCEA Chicago Plenum listed
- ClearAppeal luminaires are Designlights Consortium® qualified. Please see the DLC QPL list for exact catalog numbers, [www.designlights.org/QPL](http://www.designlights.org/QPL)

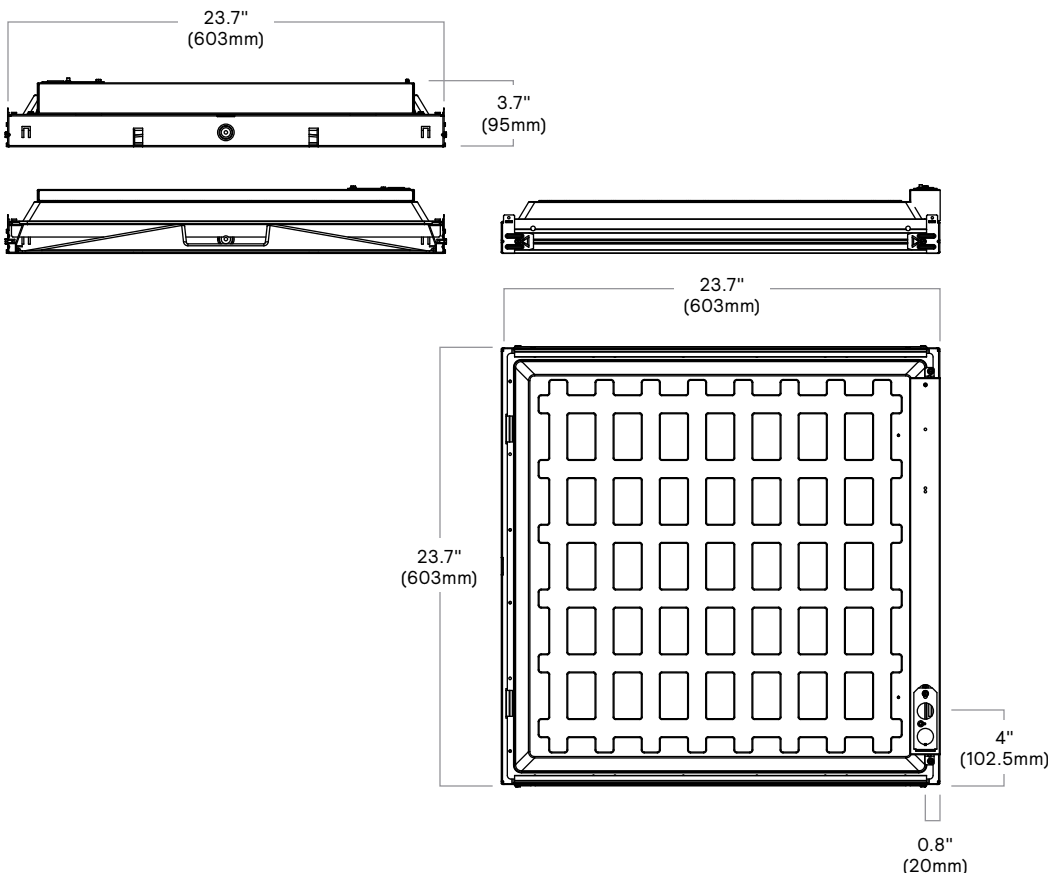
### Electrical

- Non-controls Base configurations 0–10V dimmable to 5%.
- Non-controls Standard configurations 0–10V dimmable to 1%.
- Standard configurations with controls options dimmable via wireless switches (see below).
- Predicted L70 lumen maintenance up to 100,000 hours at 25°C ambient for all configurations.
- Emergency battery packs accessible from above. To estimate lumen output in emergency mode, multiply emergency pack wattage by luminaire efficacy, then by 1.10.
- The GTD/E option is used to bypass wall switches and allow luminaire operation on auxiliary power. Generator transfer requires installation in conjunction with a UL1008 listed device.
- The GTD/SNSR option is used to bypass integrated sensor control in the event of utility power loss. Generator transfer requires installation in conjunction with a UL1008 listed device.
- Compliance to CAN ICES-005-A/ NEB-005-A and FCC Part 15-A.

### Warranty

- 5 year manufacturer's limited warranty. Visit [signify.com/warranties](http://signify.com/warranties) for complete warranty information.

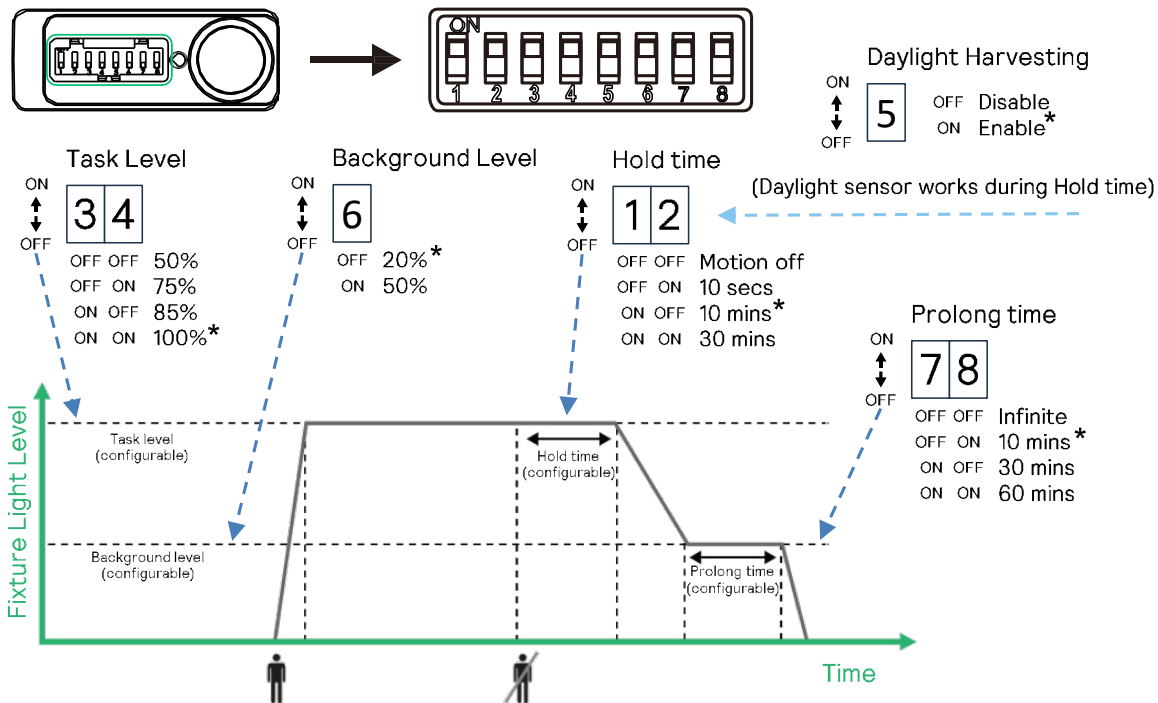
### Dimensions



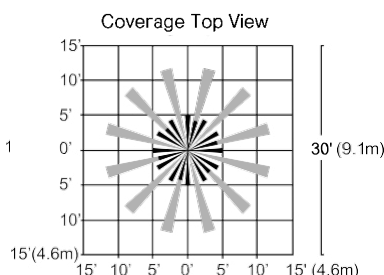
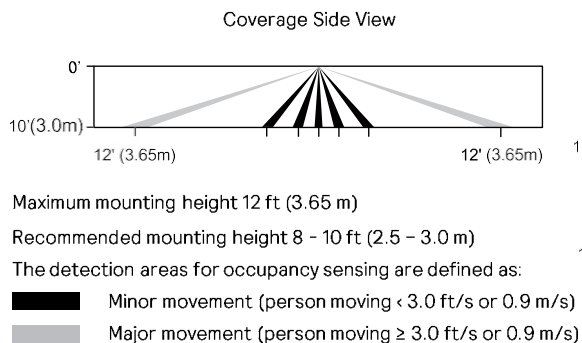
# CAZ ClearAppeal recessed 2x2

2000 to 5400 lumens

## Configurable Parameters (Dip-switches)



## Occupancy Sensing Coverage (ft)



## Configurable settings

- Brightness level: 100% ; 90% ; 80% ; 70%
  - Daylight harvesting: Enable; Disable
  - Hold time: infinite (continuous daylight harvesting)\* : 10 sec; 10min; 30 mins
  - Background level: 20%; 50%
  - Prolong-time: 9 min; 30 min; 60 min; infinite (light always on)
- \* Sensor working as "daylight harvesting only". No occupancy detection

# CAZ ClearAppeal recessed 2x2

2000 to 5400 lumens

## interact

	Gateway Connected		
	Standalone	Option 1	Option 2
Dimming, grouping, and zoning	✓	✓	✓
Bluetooth and ZigBee enabled	✓	✓	✓
Motion sensing and daylight harvesting	✓	✓	✓
Integration with 0-10V and phase dimming fixtures	✓	✓	✓
Code compliance	✓	✓	✓
Granular dimming and dwell time	✓	✓	✓
Correlated color temperature (CCT) tuning by switch	New ✓	✓	✓
Support for sensor-based Tunable White luminaires	New ✓	✓	✓
Energy reporting and monitoring		✓	✓
Scheduling		✓	✓
Demand response		✓	✓
BMS integration (BACnet)			✓
Floor plan visualization			✓
IoT sensors for wellness			✓
IoT Apps for productivity			✓

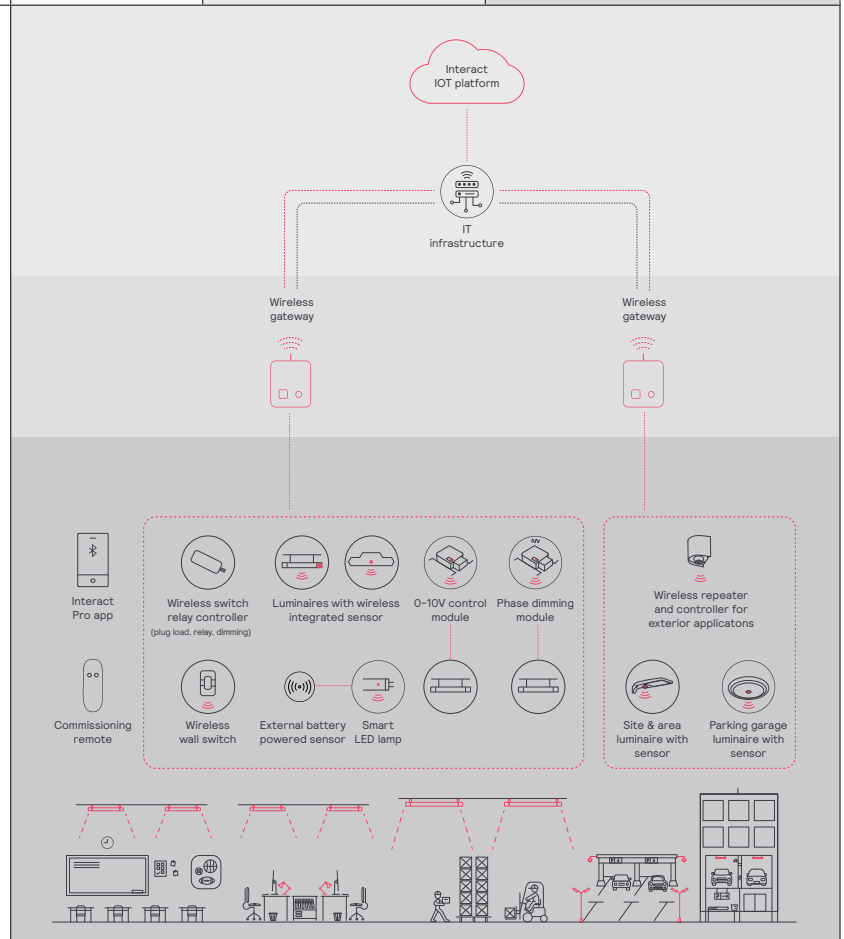
### Currently supported maximum system size

To be able to design the lighting system correctly for the customer, it is important to know the prime characteristics of the system, its possibilities and limitations.

System level	
Total number of gateways	Unlimited
Total number of devices	200 per network
• Luminaires with integrated sensors	150
• Smart TLEDS	150
• Zones + groups	64
Total number of ZGP devices (sensors and switches)	50
• Sensors	30
• Switches	50

Group level	
Recommended number of lights	40 (maximum 150)
Number of ZGP devices	5
Number of scenes	16



# CAZ ClearAppeal recessed 2x2

2000 to 5400 lumens

## Wireless controls options

### Interact

- SWZCS is a connected sensor with integral occupancy and daylight sensing and supports wireless mesh connectivity.
- The sensor works in the standalone mode (similar to SpaceWise) when configured without a gateway or in a cloud connected mode if a compatible gateway is used.
- Interact includes an App, a portal and a broad portfolio of wireless luminaires, lamps and retrofit kits all working on the same system.
- Startup is implemented via Interact Pro App (Android or iPhone) & Bluetooth connectivity. The App provides flexibility to choose between a gateway or non-gateway mode for setup.
- Setup with the gateway requires wired internet access to the gateway. It is possible to add a gateway at a later point.
- Prepare project configuration steps remotely and use IRT9015 remote on-site to identify and group devices together.

#### Compatible with:

- SWS200 & UID8465 wireless scene switch
- Battery powered IP42 presence sensor OCC sensor IA CM WH 10/1
- Battery powered IP42 presence & daylight sensor OCC-DL sensor IA CM IP42 WH
- LCN3110: battery powered IP65 presence sensor, OCC sensor IA CM IP65W
- LCN3120: battery powered IP65 presence & daylight sensor, OCC-DL sensor IA CM IP65 WH
- For more information on Interact visit: [interact-lighting.com/interactproscalablesystem](http://interact-lighting.com/interactproscalablesystem)

### Radio only sensor (RA or RADIO)

- Integral RA or RADIO only sensor simply enables wireless mesh connectivity to the luminaire without any occupancy or daylight sensing.
- Ideal for applications where sensing functionality is managed by other Interact devices and the luminaire only needs to have wireless connectivity.
- Interact includes an App, a portal and a broad portfolio of wireless luminaires, lamps and retrofit kits all working on the same system.
- Startup is implemented via Interact Pro App (Android or iPhone) & Bluetooth connectivity. The App provides flexibility to choose between a gateway or non-gateway mode for setup.
- Setup with the gateway requires wired internet access to the gateway. It is possible to add a gateway at a later point.
- Prepare project configuration steps remotely, identify and group devices together onsite.
- Compatible with SWS200 and UID8465 wireless scene switch, wireless Occ sensor (OCC SENSOR IA CM IP42 WH 10/1) and wireless Day/Occ sensor (OCC MULTI SENSOR IA CM WH 10/1).
- For more information on Interact visit: [interact-lighting.com/interactproscalablesystem](http://interact-lighting.com/interactproscalablesystem)

### SofTrace shown with integral sensor



### Sensor bundle (IAOSB or SB)

- A wireless IoT connected lighting solution for large enterprises that span across multiple floors, buildings and require multiple gateways.
- View all your projects under one dashboard and easily compare insights from multiple projects in one view.
- Compatible with SWS200 wireless scene switch, wireless Occ sensor (OCC SENSOR IA CM IP42 WH 10/1) and wireless Day/Occ sensor (OCC MULTI SENSOR IA CM WH 10/1) and wireless Occupancy or Daylight & Occupancy sensors available. Use Interact software and insights to increase building efficiency, achieve building wide integration and optimize space through occupancy analytics.
- IAOSB or SB option in addition to occupancy and daylights sensing supports advanced IoT capabilities, such as people estimation analysis, desk level temperature & humidity sensing, noise classification, and BLE beacon.
- Requires compatible Gateway and internet connectivity for commissioning.
- For more information, visit: [interact-lighting.com/interactproscalablesystem](http://interact-lighting.com/interactproscalablesystem)

### Emergency Options (ER100)

- **Power Sensing** (factory default) – Recommended UL924 option requires unswitched power sense line, absence of voltage on the normal circuit triggers luminaire to 100% output.
- **Power Interruption Detection** (field option) – Detects AC power interruption >30ms triggers 90 minute emergency mode with luminaire at 100% output.

## Interact supported sensor option codes across Genlyte Solutions product lines

	Evokit	Day-Brite	Ledalite	Lightolier
ZigBee + Bluetooth + Sensing	SWZCS	SWZCS	CS	SBA accessory (external)
ZigBee + Bluetooth	RADIO	RADIO	RA	RA
ZigBee + Bluetooth + Sensing + Environmental data	IAOSB	IAOSB	SB	SB
ZigBee + Highbay + Sensing	-	SWZCSH	-	-

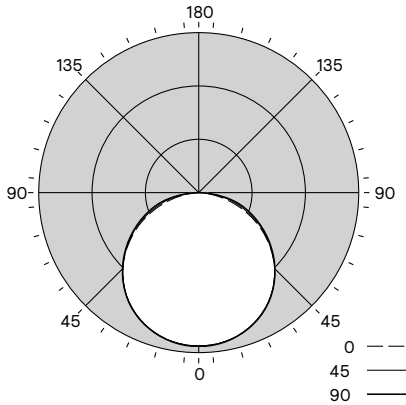
# CAZ ClearAppeal recessed 2x2

2000 to 5400 lumens

## Photometry

2CAZG45B840-2-DS-UNV-DIM

Luminaire Lumens 4684  
 Luminaire Efficacy Rating (LER) 126  
 Total Luminaire Watts 37.1  
 Spacing Criterion (0-180) 1.30  
 Spacing Criterion (90-270) 1.30



Candela Distribution						Flux
	0	45	90	135	180	Lumens
0	1534	1534	1534	1534	1534	
5	1529	1527	1528	1530	1533	145
15	1487	1485	1486	1487	1487	420
25	1398	1395	1395	1395	1398	643
35	1260	1257	1258	1259	1261	787
45	1072	1071	1074	1076	1077	828
55	842	844	852	860	863	762
65	583	590	608	626	634	603
75	308	328	364	395	406	380
85	73	97	109	110	109	116
90	0	0	0	0	0	

Coefficients of Utilization % (Based on a floor reflectance of 0.2)											
Pc---	80				70			50			0
Pw---	70	50	30	10	70	50	30	50	30	10	0
RCR	0	119	119	119	119	116	116	116	111	111	100
	1	108	103	99	95	105	101	97	97	93	83
	2	98	89	82	76	95	88	81	84	78	68
	3	89	78	70	63	87	77	69	74	67	57
	4	81	69	60	53	79	68	59	65	58	48
	5	75	62	52	46	73	60	52	58	51	42
	6	69	55	46	40	67	54	46	53	45	36
	7	64	50	41	35	62	49	41	48	40	32
	8	59	46	37	31	58	45	37	44	36	28
	9	56	42	33	28	54	41	33	40	33	25
	10	52	39	31	25	51	38	30	37	30	23

\* Based on a floor reflectance of 0.2

Zonal Lumen Summary			
Zone	Lumens	%Fixture	%Lamp
0-30	1209	25.8%	25.8%
0-40	1996	42.6%	42.6%
0-60	3586	76.6%	76.6%
0-90	4684	100.0%	100.0%
0-180	4684	100.0%	100.0%

Avg. Luminance (cd/m²)			
	0	90	180
45	2365	2371	2377
55	2289	2317	2347
65	2152	2246	2341
75	1858	2192	2448
85	1298	1949	1945

## Photometry Data

Nominal CRI & CCT	CRI 80, 3500K					CRI 80, 4000K		
	Nominal Lumen Package (lm)	Watts (W)	Flux (lm)	Efficacy (LPW)	UGR	Flux (lm)	Efficacy (LPW)	UGR
2CAZG20LXXX-2-DS	2000	17.6	2,084	118.2	17.8	2,230	126.5	18.0
2CAZG30LXXX-2-DS	3000	25.1	3,036	121.2	19.1	3,183	127.0	19.2
2CAZG38BXXX-2-DS	3800	32.7	3,989	122.2	20.0	4,136	126.7	20.1
2CAZG38LXXX-2-DS	3800	32.5	3,966	122.2	20.0	4,113	126.7	20.1
2CAZG45BXXX-2-DS	4500	38.0	4,649	122.3	20.5	4,796	126.1	20.6
2CAZG45LXXX-2-DS	4500	38.0	4,650	122.3	20.5	4,796	126.1	20.6
2CAZG54LXXX-2-DS	5400	43.6	5,320	122.0	21.0	5,467	125.4	21.1

© 2025 Signify Holding. All rights reserved. The information provided herein is subject to change, without notice. Signify does not give any representation or warranty as to the accuracy or completeness of the information included herein and shall not be liable for any action in reliance thereon. The information presented in this document is not intended as any commercial offer and does not form part of any quotation or contract, unless otherwise agreed by Signify.



Signify North America Corp.  
 400 Crossing Blvd, Suite 600  
 Bridgewater, NJ 08807  
 Telephone: 800-555-0050

Signify Canada Ltd.  
 281 Hillmount Road,  
 Markham, ON, Canada L6C 2S3  
 Telephone: 800-668-9008

All trademarks are owned by Signify Holding or their respective owners.