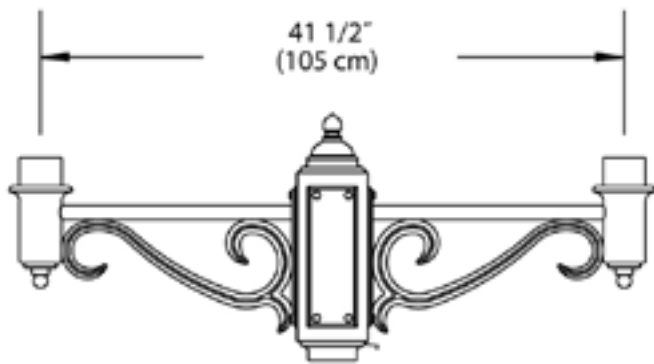


Project: _____
 Location: _____
 Cat.No: _____
 Type: _____
 Lamps: _____ Qty: _____
 Notes: _____



Ordering Guide

Example: PTH2330 P3 A

| | | |
|----------------------|----------------------------|--|
| Product Code | PTH2330 | Triple |
| Post diameter | P3 P4 | 3" Post Mount 4" Post Mount |
| Finish | A B G H I J | Black White Verde Bronze Gray Green |

Specifications

HOUSING:

356 HM high-strength, low-copper, proprietary cast aluminum alloy .

FINISH:

Thermoset polyester powdercoat is electrostatically applied after a five-stage conversion cleaning process and bonded by heat fusion thermosetting. Laboratory tested for superior weatherability and fade resistance in accordance with ASTM B117 specifications. For larger projects where a custom color is required, contact the factory for more information.

MOUNTING:

Cast Aluminum Hub mounts to a 3" OD x 3" long (P3) [if applicable] or 4" OD x 6 1/2" long (P4) [if applicable] tenon and is secured with at least (3) 5/16"-18 stainless steel set screws.

WARRANTY:

Three-year limited warranty.

Height :

17" (43 cm)

Length:

42 1/2" (108 cm)

EPA:

1.96 sq. ft.

