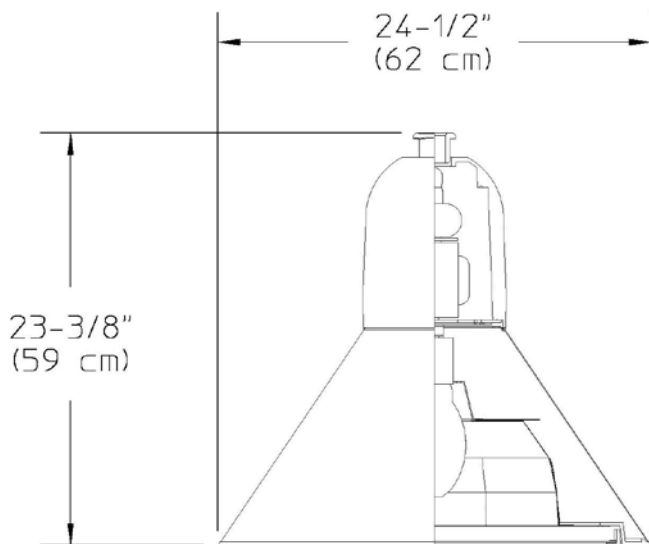


Project: _____
 Location: _____
 Cat.No: _____
 Type: _____
 Lamps: _____ Qty: _____
 Notes: _____



Ordering Guide

Example: CF5 T A GF 2 N D 150S E

Product Code	CF5	Large Pima
Mounting	T	Top Arm
Finish	A B H J	Black White Bronze Green
Lens	GF	Flat Glass
Optics	2 3 4 5 V	Type II Type III Type IV Type V Type V Vertical *1
Photo Control	N	None
Socket	D G	Medium Mogul
Wattage	150S 250S 150H 250H	150W HPS 250W HPS 150W MH 250W MH *2
Voltage	E F G H K	120V 208V 240V 277V 347V

*1 Vertical lamp (V), Medium base (D) only with Flat Glass. Glass sag lens used with Vertical Mogul base (G) lampping.
 *2 Available with Mogul base (G) socket only.

Specifications

HOUSING:

413F, Low-Copper cast aluminum. 0.090" thick spun aluminum. Easy access to lamp. Two (2) stainless steel ¼-turn fasteners secure the lens frame. A weatherproof ballast assembly isolates the ballast from water and heat for longer life. All non-ferrous fasteners prevent corrosion and ensure longer life.

FINISH:

Thermoset polyester powdercoat is electrostatically applied after a five-stage conversion cleaning process and bonded by heat fusion thermosetting. Laboratory tested for superior weatherability and fade resistance in accordance with ASTM B117 specifications. For larger projects where a custom color is required, contact the factory for more information.

OPTICAL ASSEMBLY:

Type II Cutoff. Type III Cutoff. Type IV Cutoff. Type V Cutoff. Type V Cutoff (Vertical Lamp). Precision formed, segmented specular aluminum internal cutoff reflector with horizontal lamp mounting. Reflector is rotatable in 90° increments. Clear tempered flat glass lens.

LAMPING:

MH and HPS Medium base: E17. MH and 250W HPS Mogul base: ED28. HPS Mogul base: E23.5.

ELECTRICAL ASSEMBLY:

Ballast assemblies are mounted to an aluminum plate or spinning, which is mounted inside the ballast housing. 4kv rated porcelain mini-can base. Nickel-plated screw shell with center contact. 4kv rated mogul base porcelain socket. Nickel-plated screw shell with center contact.

BALLAST:

All HID ballasts are core and coil and regulated with power factors better than 90% (HPF). Ballast provides +/- 5% lamp power regulation with +/- 10% input voltage regulation. Ballasts are factory pre-wired and tested. Metal halide ballasts are capable of starting at -20° F or -30° C and HPS at -40°F or -40°C. NOTE: All ballasts are EISA / Title 20 / Title 24 compliant where applicable.

CF5 Large Pima

MH/HPS Pendant

Specifications

MOUNTING:

Top Arm Mount (T). Arm sold separately. Mounting adapter welded to fixture housing.

CERTIFICATIONS:

ETL Listed to U.S. safety standards for wet locations. cETL listed to Canadian safety standards for wet locations. Manufactured to ISO 9001:2008 Standards.

WARRANTY:

Three-year limited warranty.

Height :

23 3/8" (59cm)

Width:

24 1/2" (62cm)

Max. EPA:

CF5: 1.52 sq.ft.

Max. Weight:

50 lbs

IESNA Classifications:

Full Cutoff: Flat Glass

IESNA Classifications:

Cutoff: Sag Lens

