

INSTALLATION INSTRUCTIONS FIBERGLASS VAPORLUME WET LOCATION

CAUTION: THE INSTALLATION AND SERVICING OF THIS PRODUCT SHOULD BE PERFORMED BY A QUALIFIED ELECTRICIAN OR SERVICE PERSONNEL
ATTENTION : L'INSTALLATION ET L'ENTRETIEN DE CE PRODUIT DOIVENT ÊTRE EFFECTUÉS PAR UN ÉLECTRICIEN OU UN MEMBRE DU PERSONNEL QUALIFIÉ.

- 1) REMOVE LENS FROM FIXTURE BY OPENING THE RETAINING LATCHES (SEE CROSS SECTION FIGURE 1).
- 2) REMOVE WIREWAY COVER BY TURNING QUARTER TURN FASTENER TO DISENGAGE.
- 3) STANDARD CONDUIT MOUNTING AS SHOWN IN FIGURE 4 MUST BE ATTACHED TO SUPERSTRUCTURE ADEQUATELY TO SUPPORT FIXTURE. IF OPTIONAL BRACKETS ARE USED FOR MOUNTING, SEE INSTRUCTION SHEET SUPPLIED WITH BRACKET KIT. DO NOT PENETRATE HOUSING: THIS WILL VOID WET LOCATION LISTING.
- 4) MAKE ALL WIRING CONNECTIONS TO FIXTURE IN ACCORDANCE WITH THE NATIONAL ELECTRICAL CODE AND ALL APPLICABLE LOCAL CODES. (FOR GROUND CONNECTION SEE FIGURE 3)
- 5) REPLACE WIREWAY COVER BY REVERSING PROCESS IN STEP 2.
- 6) REPLACE LENS BY REVERSING PROCESS IN STEP 1.

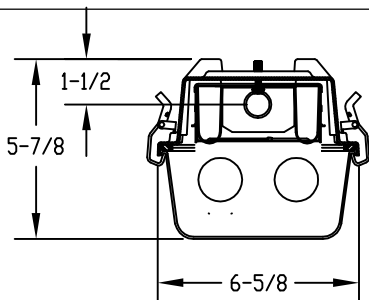


FIGURE 1
CROSS SECTION

GROUNDING CONDUCTOR (IF INSULATED) TO BE STRIPPED MIN. 1" - WRAP WIRE UNDER AND AROUND HEAD OF SCREW COUNTERCLOCKWISE (AS ILLUSTRATED) TIGHTEN SCREW.

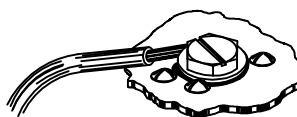


FIGURE 3

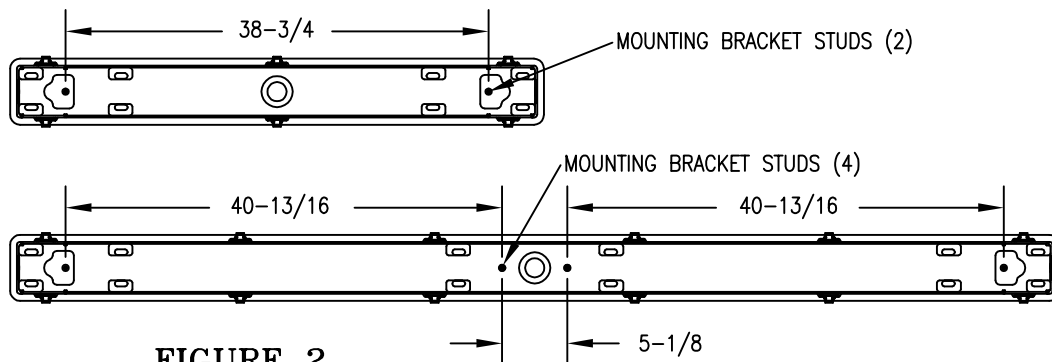
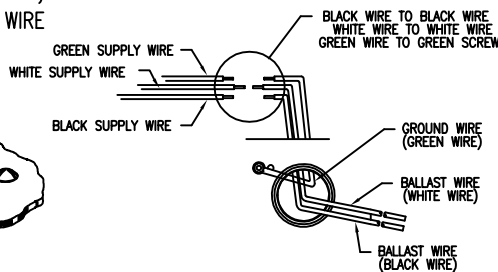
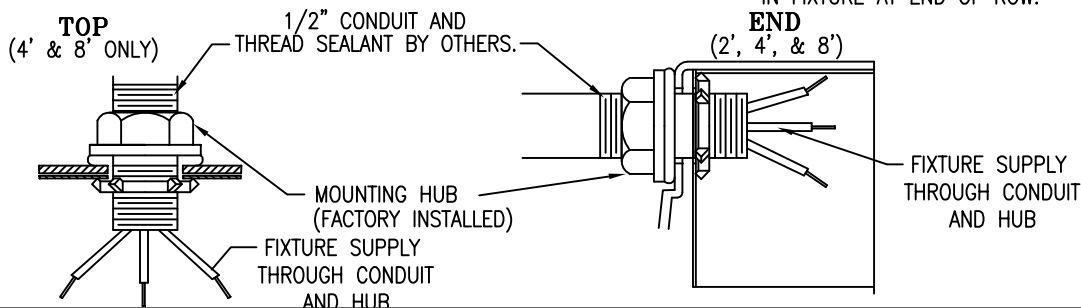


FIGURE 2

FIGURE 4



NOTE: FACTORY INSTALLED HUB PLUG MUST REMAIN IN FIXTURE AT END OF ROW.

CAUTION: Electrical luminaires are designed for permanent installation in ordinary (Non-Hazardous) locations in accordance with the National Electrical Code and all applicable local codes. Do not use in areas of limited ventilation or in high ambient enclosures. The lamp and luminaire operate at high temperatures, contact with combustible materials can cause fire and personal contact can cause severe burns.

ATTENTION: Ce luminaire a été conçu pour une installation permanente dans un emplacement régulier (non dangereux) et en conformité avec le Code électrique canadien et codes locaux applicables. Ne jamais installer dans un endroit où la ventilation est limitée ou dans des boîtiers où la température ambiante est très élevée. La lampe et le luminaire fonctionnent à des températures élevées, un contact avec des matériaux combustibles peut engendrer un incendie et un contact corporel peut causer de sévères brûlures.

Day-Brite
CFI

Signify Corporation North America
200 Franklin Square Drive
Somerset, NJ 08873
Phone: 855-486-2216
www.day-brite.com

Signify Canada Ltd./Signify Canada Ltée.
281 Hillmount Road Markham
ON, Canada L6C 2S3 Phone:
800-668-9008
www.cfi-lighting.com

12NC:442100256330
27176103 10/09/2018
(ENGLISH/FRANÇAIS)