

**Read and understand these instructions before installing luminaire.**

This luminaire is intended for installation in accordance with the National Electrical Code and local regulations. To assure full compliance with local codes and regulations, check with your local electrical inspector before installation. To prevent electrical shock, turn off electricity at fuse box before proceeding. Allow fixture to cool before handling.

**Retain these instructions for maintenance reference.**

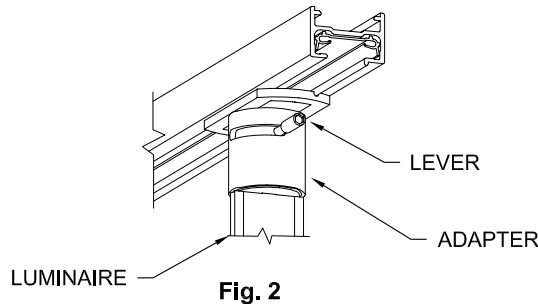
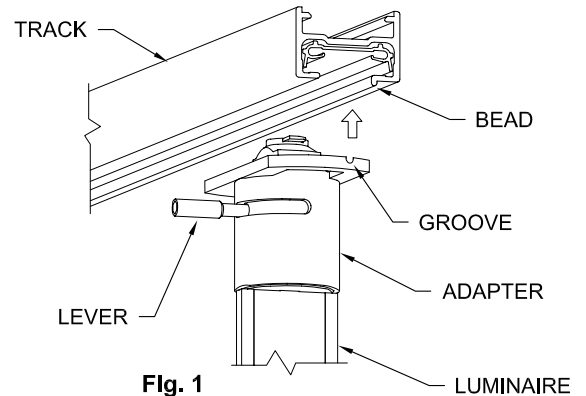
**INSTRUCTIONS FOR ATTACHING 22WW4  
TO LYTESPAN<sup>®</sup> TRACK SYSTEM. FOR USE WITH LYTESPAN<sup>®</sup> TRACK SYSTEMS ONLY.**

**A. INSTALLING LUMINAIRE ON TRACK AND LYTESPAN ACCESSORIES.**

Luminaires may be installed on ceiling mounted track, horizontal and vertical wall mounted track, and suspended track.

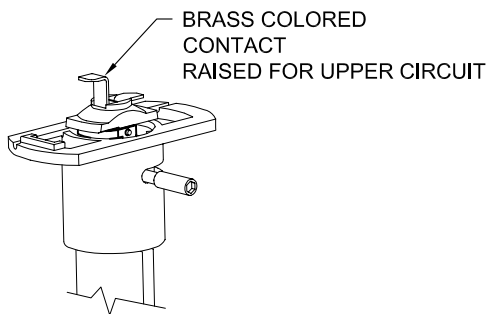
1. Position LEVER as shown in Fig. 1.
2. Align GROOVE in ADAPTER with BEAD. Fig 1.
3. Push ADAPTER against TRACK or accessory.
4. Turn LEVER 90° to make electrical and mechanical connection. Fig. 2.

To remove luminaire from TRACK or accessory. Rotate LEVER clockwise 90° while holding luminaire.

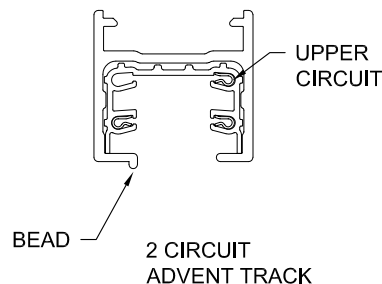


**B. INSTRUCTIONS FOR CONVERTING LUMINAIRE TO OPERATE ON UPPER CIRCUIT OF 2 CIRCUIT ADVENT<sup>®</sup> TRACK.**

1. Pull BRASS COLORED CONTACT up until it stops. Fig. 3
2. Follow instruction "A" to install luminaire into Advent Track.



**Fig. 3**



## INSTRUCTIONS FOR LAMPING A T4 WALL WASHER

**CAUTION: RISK OF BURN.** Allow time for luminaire to cool before attempting to relamp or position.

**NOTE: Install lamps using protective paper and don't remove it until lamp is installed in socket. If lamp is touched with bare hands, clean lamp with denatured alcohol and wipe with lint free cloth.**

**CAUTION: DO NOT REMOVE PROTECTIVE LENS.**

1. While holding HOUSING, pull LAMP CARTRIDGE out. (See FIG. 4)
2. Screw T4 LAMP into SOCKET as shown in FIG. 5
3. Align CARTRIDGE SPRINGS with SPRING CHANNELS and push LAMP CARTRIDGE back into HOUSING until it snaps closed. Make sure CORD travels behind reflector and doesn't pinch when CARTRIDGE is reinserted. (See FIG. 4 and 6)

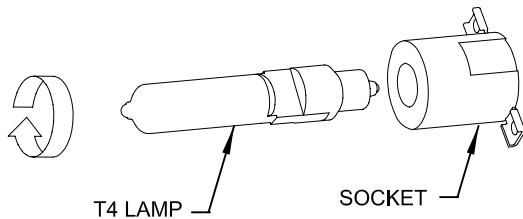


FIG. 5

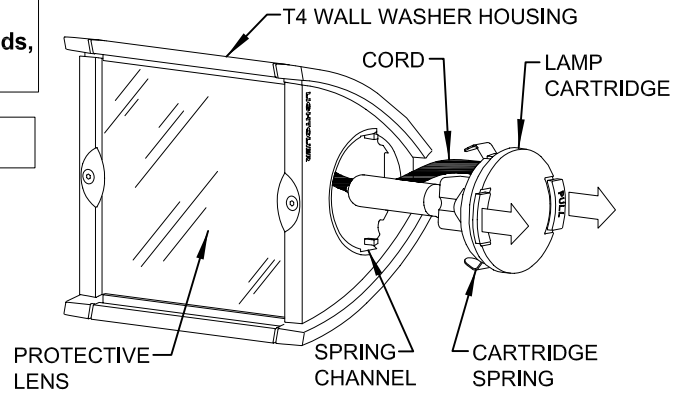


FIG. 4

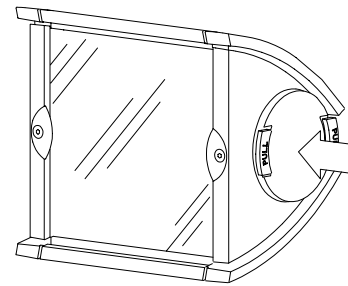


FIG. 6

**NOTE:**  
USE ONLY T4 MINI CAN 150 WATTS MAX, 120 VOLTS  
CLEAR LAMP, CC-8 FILAMENT

### C. AIMING ADJUSTMENT FOR LUMINAIRE.

**NOTE: LUMINAIRE HAS BUILT-IN STOPS THAT LIMIT THE ADJUSTMENT. DO NOT FORCE LUMINAIRE AGAINST THE STOP. DOING SO WILL DAMAGE THE LUMINAIRE AND CREATE A HAZARDOUS CONDITION.**

**CAUTION: LUMINAIRE IS HOT WHEN OPERATING AND MUST NOT BE HANDLED WITHOUT PROPER PROTECTION.**

1. Rotate Luminaire in the horizontal and vertical direction to desired aiming location.

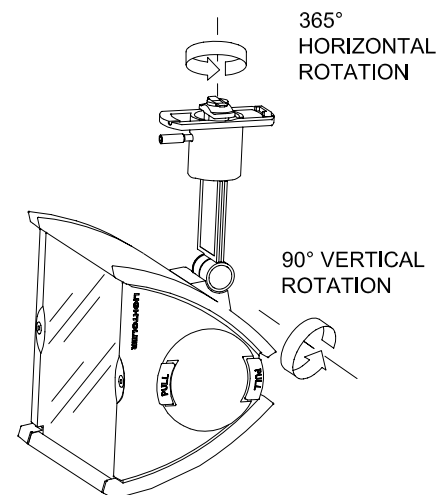


FIG. 7