

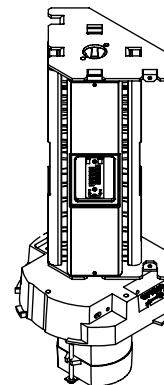
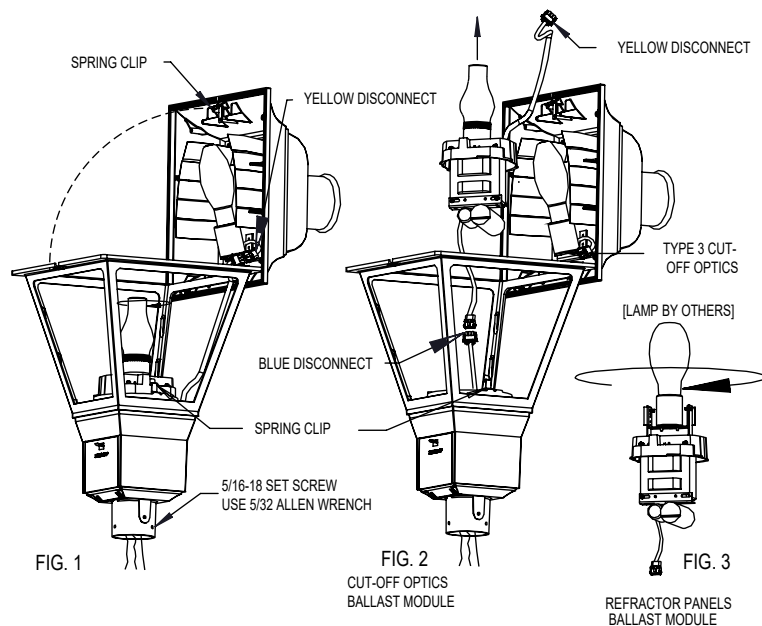


by Signify

Signify North America Corporation
200 Franklin Square Drive
Somerset, NJ 08873
Telephone 855-486-2216

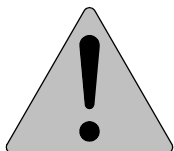
Signify Canada Ltd.
281 Hillmount Road,
Markham, ON, Canada L6C 2S3
Telephone 800-668-9008

INSTALLATION INSTRUCTIONS: V151/V152/V651/V681/VL151/VL152 SERIES FIXTURES



OPTIONAL LUMILOCK L.E.D. MODULE.
(REPLACES CONVENTIONAL BALLAST/LAMP MODULE.)

READ THESE INSTRUCTIONS CAREFULLY BEFORE INSTALLING THIS FIXTURE.



This fixture is intended for installation in accordance with the National Electrical Code and local code specifications. Failure to adhere to these codes and instructions may result in serious injury and/or damage to the ballast and void the warranty. These instructions do not purport to cover all details or variations in equipment, nor to provide for every possible contingency related to installation, operation, maintenance, or mounting situation. Should specific problems occur that are not addressed by these instructions, contact your Sales Representative or distributor for assistance. Retain these instructions for future reference.



SAFETY WARNING: **ALWAYS TURN FIXTURE OFF/DISCONNECT POWER AND ALLOW TO COOL BEFORE PERFORMING ANY MAINTENANCE, INCLUDING RELAMPING AND CLEANING!**

This fixture can become very HOT! The fixture housing and lens, especially if it is glass, can become hot enough to blister hands. Attention should be paid to where the fixture is mounted, particularly if it can be touched by children or pets. To help prevent premature failure, decreased performance, overheating and risk of fire, keep fixture and lens clean and free of leaves, mulch, debris and mineral deposits from water. The fixture and lens can be cleaned using a soft cloth and a solution of mild liquid soap and warm water. Wipe clean and dry with a soft, lint-free dry cloth. Avoid polishing fixture or lens.



INSTRUCTIONS PERTAINING TO A RISK OF FIRE OR INJURY TO PERSONS **IMPORTANT SAFETY INSTRUCTIONS - SAVE THESE INSTRUCTIONS!**

WARNING - Lamp gets HOT quickly! To reduce the risk of FIRE OR INJURY TO PERSONS:
 Do not operate fixture with a missing or damaged lens/lens assembly.
 Contact only switch or plug when turning fixture on or off. Do NOT touch hot lens or housing.
 Turn off or unplug fixture and allow to cool before relamping. Keep lamp away from combustibles.
 Do NOT touch lamp with bare hands at any time, use a soft cloth as oil from skin may damage lamp.

TOOLS REQUIRED FOR INSTALLATION

1. 5/32" Allen Wrench
2. Screw Driver [#8-10, slotted type]
3. Screw Driver [phillips type]
4. Wire connectors for appropriate wire

INSTALLATION

WARNING - The power **MUST** be turned off prior to proceeding. Read these instructions carefully. If any problems are encountered that are not covered in these instructions, contact Hadco.

STEP 1: OPEN ROOF

- 1.1 Release the spring clip that secures the hinged roof [see FIG. 1 on page 1].
- 1.2 Swing roof open to access ballast module.

STEP 2: WIRING

- 2.1 Push the spring clip away from the ballast cover with the thumb and rotate the ballast cover counter-clockwise until it stops [see FIG. 1 on page 1].
 - * For fixtures with cut-off optics, disconnect the yellow quick-connects.
- 2.2 Lift the ballast cover away from the fixture and disconnect the blue quick-connects [see FIG. 2 on page 1].
- 2.3 Fish incoming supply wire through post fitter and factory supplied cable tie.
- 2.4 Release the door spring clip and open, Loosen the phillip screw and lift the terminal block bracket in order to remove it from the housing [see FIG.4 on page 3].
- 2.5 If using wire nuts, connect incoming power supply wires to the fixture supply wires or if wiring directly to the terminal block, remove factory supply wires from the terminal block.
 - >First, verify that the voltage-lead coming from the ballast is the same as the incoming voltage.
 - >Then proceed to connect the common supply in line with common, the ground supply in line with the ground, and the supply voltage in line with the voltage.
- 2.7 Replace the terminal block back in place and secure with phillip screw and close door.
 - * Verify that the spring clip snaps back into place and secures the door to the housing.
- 2.8 Remove tension on the incoming supply wires between terminal block and cable tie by using factory installed cable tie.
- 2.9 Replace the ballast cover and ballast by reversing steps 2.1 and 2.2.
 - * Verify that the spring clip snaps back into place and secures the ballast cover to the fixture.

STEP 3: MOUNTING

- 3.1 Mount the housing onto a 3" diameter post shaft or tenon.
- 3.2 Use the post fitter's 5/16-18 set screws, supplied in the fixture, to secure the housing to the post shaft or tenon.

STEP 4: LAMPING - H.I.D.

- 4.1 Install the correct lamp based upon the lamp label next to the socket.
- 4.2 Clean installed lamp of all dirt and body oils.
- 4.3 Type III House-side Shield option ONLY. (Available for refractor panels only.)
 - * Rotate the reflector shield assembly around the socket to the correct orientation.
 - ** Note: the reflector is the house side.

4: LAMPING - L.E.D.

- 4.1a Lower the Lumilock module into fixture housing and connect the blue disconnect.
- 4.2a Rotate the module into place making sure the spring clip is aligned properly and snapped into place [see Fig. 1 on page 1].

STEP 5: Close roof and secure with spring clip.

- * Verify that spring clip snaps back into place and secures roof.

STEP 6: Connect power and test the fixture for proper operation.

STEP 7: After the installation is complete, deliver this manual to the owner.

LAMP REPLACEMENT (H.I.D. Fixtures)

NOTE: It is a good idea to clean the fixture each time you relamp. Avoid using harsh solvents or abrasives.

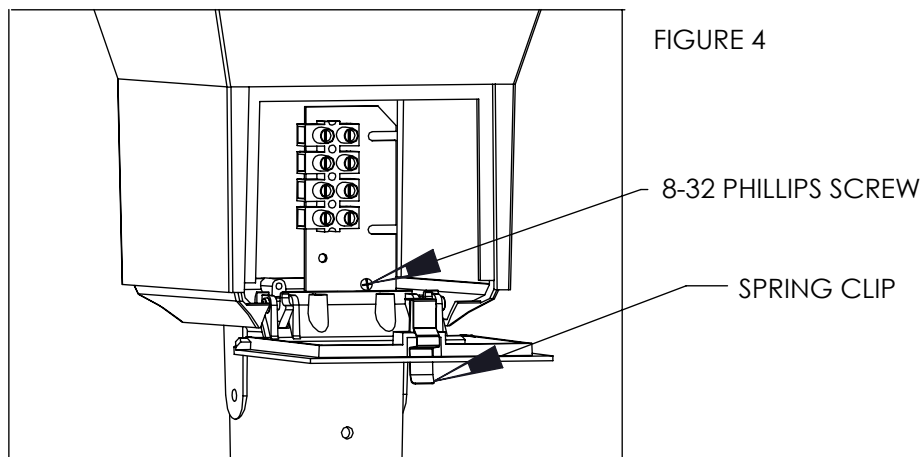
- STEP 1: Release spring clip that secures the hinged roof. Open roof [see Fig. 1 on page 1].
- STEP 2: Remove the old lamp and dispose of it in accordance with local codes and regulations.
- STEP 3: Install a new lamp, referring to the lamp label next to the socket to ensure using the correct type.
- STEP 4: Clean installed lamp of all dirt and body oils.
- STEP 5: Close the roof and secure.
 - * Verify that the spring clip snaps back into place.

BALLAST REPLACEMENT (H.I.D. Fixtures)

- STEP 1: Release the spring clip that secures the hinged roof. Open roof [see Fig. 1 on page 1].
- STEP 2: CUT-OFF OPTICS:
 - * Disconnect yellow quick-connect between reflector and wireway [see Fig. 1 on page 1].
- REFRACTOR PANEL OPTICS:
 - * Remove lamp [see Fig. 3 on page 1].
- STEP 3: REMOVE BALLAST COVER & BALLAST
 - * Push the spring clip away from the ballast cover with thumb and rotate the ballast cover counter-clockwise until it stops [see Fig. 1 on page 1].
 - * Lift the ballast cover away from the fixture and disconnect the blue quick-connect [see Fig.2 on page 1].
- STEP 4: Check and make sure that the lamp type and wattage correspond to the NEW ballast type and wattage.
- STEP 5: Check the New ballast module for proper voltage.
- STEP 6: Install new ballast module by reversing STEP 3.
 - * Verify that the spring clip snaps back into place and secures the ballast cover to the fixture.
 - * Clean lamp of all dirt and body oils.
- STEP 7: Replace all of the remaining removed parts by reversing instructions from above.

LUMILOCK MODULE REPLACEMENT (L.E.D. FIXTURES)

- STEP 1: Release the spring clip that secures the hinged roof. Open roof [see Fig. 1 on page 1].
- STEP 2: Push the spring clip away from the driver cover with thumb and rotate the driver cover counter-clockwise until it stops [see Fig. 1 on page 1].
 - * Lift the entire Lumilock module away from the fixture and disconnect the blue quick-connect [see Fig.2 on page 1].
- STEP 3: Install new Lumilock module by reversing STEP 2.
 - * Verify that the spring clip snaps back into place and secures the driver cover to the fixture.
- STEP 4: Replace all of the remaining removed parts by reversing instructions from above.



DISCLAIMER

While we believe these instructions to be accurate at the time of publication, Hadco reserves the right to make changes to this fixture and/or components. The contractor should follow local and National Electrical Codes where required. For any further information please contact Hadco customer service.

TWIST-LOCK RECEPTACLE INSTALLATION / REPLACEMENT

- STEP 1. Release the spring clip that secures the door and swing open to access the twist-lock receptacle [see FIG. 5 on page 4].
- STEP 2. Ensure twist-lock receptacle is facing northward, or in other desired direction. To change eye orientation, rotate fixture top of pole [see Step 3.2].
- STEP 3. Install photo cell into twist-lock receptacle.
- STEP 4. Ensure that wires are clear of moving parts and close door. When door closes properly there is an audible "click".

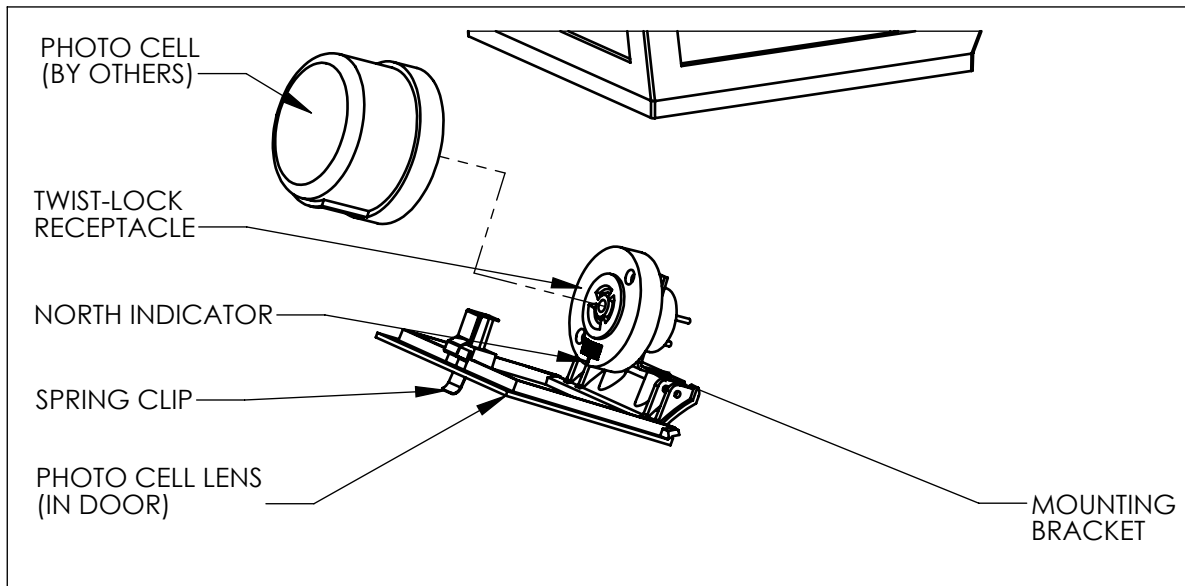


FIGURE 5