

# Day-Brite CFI

by Signify

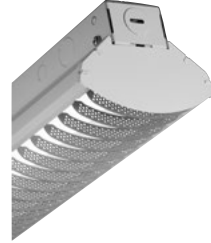
## Linear

SV strip

2', 3', 4', or 8'  
T5 or T5HO



SV T5 Strip with lens accessory



SV T5 Strip with louver accessory

Project: \_\_\_\_\_  
 Location: \_\_\_\_\_  
 Cat.No: \_\_\_\_\_  
 Type: \_\_\_\_\_  
 Lamps: \_\_\_\_\_ Qty: \_\_\_\_\_  
 Notes: \_\_\_\_\_

Day-Brite CFI SV strip utilizes compact, efficient T5 or T5HO lamps and is available in 2', 3', 4' and 8' nominal lengths. Lens and louver accessories are available for 4' or 8' models, and reflector accessories are available for all models.

### Ordering guide

Example: SV4S228UNV-1/2-EB

Family	Nominal length	Ceiling type	Lamp quantity/ cross section	Lamp Type (by others)	Voltage	Options
<b>SV</b>		<b>S</b>			—	
SV Strip T5	2 nominal 22" 3 nominal 34" 4 nominal 46" 8 nominal 92" (tandem lamps)	S Surface	1 2	14 14WT5 (22") 24 24WT5HO (22") 21 21WT5 (34") 39 39WT5HO (34") 28 28WT5 (46") 54 54WT5HO (46")	UNV Universal voltage 120-277V 120 120V 277 277V 347 347V	1/1 One 1-lamp ballast 1/2 One 2-lamp ballast 1/4 One 4-lamp ballast 2/2 Two 2-lamp ballasts EB Electronic ballast, <10% THD E7LP* LP550 emerg. ballast, 430-700 lumens, 120/277V E6LP* LP600 emerg. ballast, US or Canada market, 750-1325 lumens, 120/277V GLR Fusing, fast blow  Power-Connect modular wiring – see sheet 1604-OA. *46" or 92" models only

### Reflector only (order separately, 2', 3', or 4' – order two 4' reflectors for 8' tandem unit)

Example: SV5R1W4SSLD

Reflector type	Reflector style	Finish	Reflector length	Light distribution	Reflector type
<b>SV5R</b>	<b>1</b>				
SV5R Reflector for SV Strip T5	1	W White S Specular	2 22" 3 34" 4 46" (order two 4' reflectors for tandem models)	S Symmetric A Asymmetric	SLD Solid SLT Slotted (white only) PER Microperforated (white only)

### Lens or louver with reflector (order separately, 4' only – order two for 8' tandem unit)

Example: SV5CLW4SSLD

Family	Lens/Louver style	Finish	Reflector length	Reflector design	Reflector style
<b>SV5</b>		<b>W</b>	<b>4</b>	<b>S</b>	
SV5 Lens or louver accessory for SV Strip T5	CL Clear linear lens FL Frosted linear lens LV Perforated white blade louver LW Solid white blade louver LG Solid grey blade louver LH Perforated grey blade louver XX No optic, reflector only	W White	4 46" (order two 4' units for tandem models)	S Symmetric	SLD Solid SLT Slotted PER Perforated



# SV Strip

2', 3', 4', or 8', T5 or T5HO

## Features

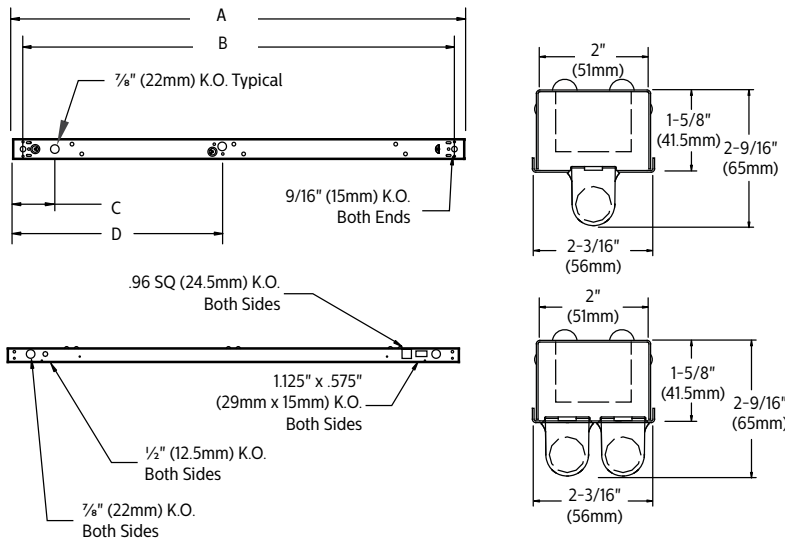
- Channel is only 2" wide and 1-5/8" deep.
- Utilizes compact efficient T5 or T5HO lamps.
- Fully enclosed wiring.
- Lens and louver accessories (order separately, SV5 nomenclature): clear linear lens, frosted linear lens, perforated white or grey baffle, solid white or gray baffle – these options include your choice of perforated, slotted, or solid white reflector. Available for 4' units only – order (2) 4' units for tandem model.
- Efficiency with lens accessory 90.6% (based on one 54WT5HO with clear linear lens and perforated reflector). Efficiency with louver accessory is 86.1% (based on two 28WT5 with perforated louver blades and perforated reflector).
- Straight reflector accessories (order separately, SV5R nomenclature): white or specular, asymmetric or symmetric – perforated, slotted, or solid. Available for 2', 3', and 4' units – order (2) 4' units for tandem model.

- Available lens/louver style reflector (SV5XXW4S family) offers a nice visual alternative to the standard straight blade reflector when used without the lens/louver option.
- Push through lamp holders with rotor for secure lamp retention.
- Surface, pendant, or cable mounting.
- Suitable for continuous row mounting with or without reflector/lens/louver accessories.

## Specifications

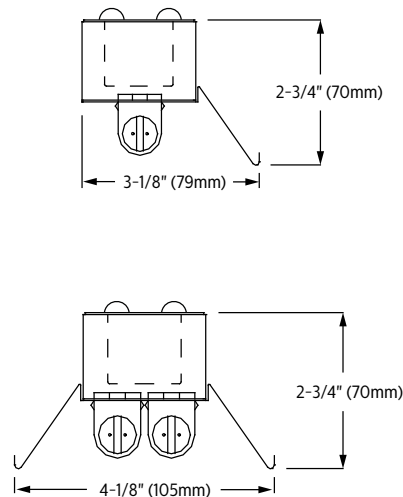
- **Materials:** Chassis parts are die-formed code gauge cold rolled steel.
- **Finish:** Chassis exterior—phosphate undercoating, baked white acrylic high reflectance paint finish.
- **Electrical:** HPF, thermally protected class "P" ballast. If K.O. is within 3" of ballast, use wire suitable for at least 90°C.
- **Labels:** cULus listed. Suitable for damp locations.

## SV Strip dimensions



Nominal Length	A	B	C	D
92"	92-1/4" (2343mm)	90-3/16" (2291mm)	4-1/4" (108mm)	44-7/16" (1129mm)
46"	46-1/8" (1172mm)	44-1/16" (1119mm)	4-1/4" (108mm)	21-3/8" (543mm)
34"	34-1/4" (870mm)	32-3/16" (818mm)	4-1/4" (108mm)	N/A
22"	22-7/16" (570mm)	20-3/8" (518mm)	4-1/4" (108mm)	N/A

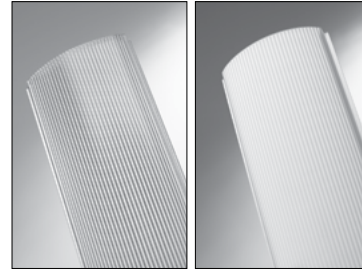
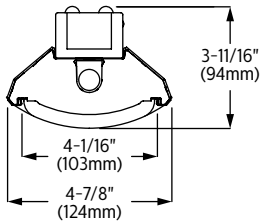
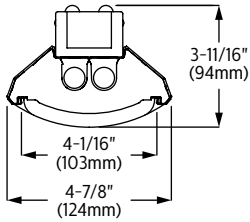
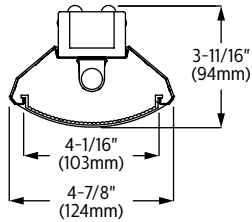
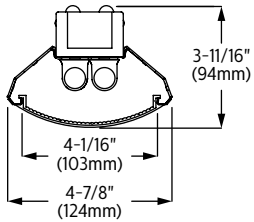
## Reflector only (SV5R) dimensions



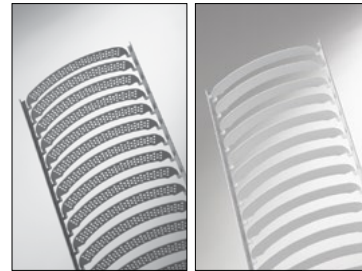
# SV Strip

2', 3', 4', or 8', T5 or T5HO

## Lens/louver with reflector (SV5) dimensions



CL = Clear Linear Lens FL = Frosted Linear Lens



LH = Perforated Grey Blade LW = Solid White Blade

Unique patterned perforations create consistency in design which is appealing to the eye.



Solid Reflector



Slotted Reflector



Perforated Reflector

## Options/Accessories



### Stems and Canopies:

Two per luminaire are recommended.

Catalog Number:

- CS-400** Rigid stem canopy (one)
- CS-500** Swivel stem canopy (one)
- CS series stems** CS-12 for 12", CS-18 for 18", etc.



### Chain Hanger Kit:

Includes two 5' heavy duty link chains with sturdy "V" hooks for fixture suspension.

Catalog Number: **FKR-126**

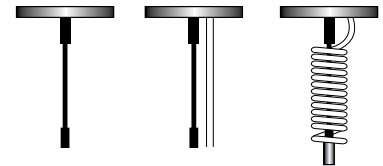


### Wire Guard:

Galvanized wire guard. Catalog number:

Catalog Number

- SV5XG2** For SV Strip T5 22"
- SV5XG3** For SV Strip T5 34"
- SV5XG4** For SV Strip T5 46"
- SV5G1W3S** For SV5R Symmetric 34"
- SV5G1W4S** For SV5R Symmetric 46"



### Cable Hanger Kit:

Two per luminaire are recommended.

Catalog Number:

- ACH48** 48" adjustable cable hanger kit (one)
- ACH48-SC** 48" adjustable cable hanger kit with white straight power cord (one)
- ACH48-CC** 48" adjustable cable hanger kit with white coiled power cord (one)



Some luminaires use fluorescent or high intensity discharge (HID) lamps that contain small amounts of mercury. Such lamps are labeled, "Contain Mercury" and/or the symbol "HG". Lamps that contain mercury must be disposed of in accordance with local requirements. Information regarding lamp recycling and disposal can be found at [www.lamprecycle.org](http://www.lamprecycle.org)

# SV Strip

2', 3', 4', or 8', T5 or T5HO

## Photometry

### SV T5 Strip 2 lamp T5

Efficiency – 93.4%

LER – 73

TER – 39

Catalog No.	SV4S228UNV-1/2-EB	Candlepower				Light Distribution				Average Luminance			
		Angle	End	45	Cross	Degrees	Lumens	% Lamp	% Luminaire	Angle	End	45°	Cross
Test No.	C9376	0	942	942	942	0-30	770	14.8	15.8	45	14368	17126	18802
S/MH	1.5	5	953	940	930	0-40	1308	25.1	26.8	55	13506	18429	20914
Lamp Type	28WT5	15	916	943	939	0-60	2551	48.9	52.2	65	12513	20540	23194
Lumens/Lamp	2610	25	849	907	946	0-90	3942	75.5	80.6	75	10712	23593	26970
Ballast Factor	1.00	35	751	864	936	0-180	4888	93.6	100.0	85	8208	29606	34882
Input Watts	66.5	45	632	811	914								
		55	483	731	860								
		65	331	632	751								
		75	175	494	611								
		85	47	310	427								
		95	19	294	427								
		105	19	263	427								
		115	17	208	349								
		125	10	136	247								
		135	22	78	156								
		145	11	26	73								
		155	19	9	6								
		165	26	11	1								
		175	27	11	4								

Comparative yearly lighting energy cost per 1000 lumens – **\$3.29** based on 3000 hrs. and \$.08 pwr KWH.

### SV T5 Strip 2 lamp T5HO with symmetric white reflector

Efficiency – 78.9%

LER – 60

TER – 37

Catalog No.	SV4S254UNV-1/2-EB with SV5R1W4SSLD	Candlepower				Light Distribution				Average Luminance			
		Angle	End	45	Cross	Degrees	Lumens	% Lamp	% Luminaire	Angle	End	45°	Cross
Test No.	C9465	0	2023	2023	2023	0-30	1636	18.6	23.6	45	15982	17180	18212
S/MH	1.5	5	2027	2026	2010	0-40	2753	31.3	39.6	55	15449	17566	18032
Lamp Type	54WT5HO	10	2004	2025	2022	0-60	5206	59.2	75.0	65	14650	16997	15866
Lumens/Lamp	4400	15	1964	1998	2019	0-90	6944	78.9	100.0	75	13004	13403	11403
Ballast Factor	1.00	20	1902	1963	1988								
Input Watts	115	25	1829	1911	1960								
		30	1739	1848	1942								
		35	1636	1789	1906								
		40	1523	1727	1862								
		45	1385	1636	1787								
		50	1242	1536	1671								
		55	1092	1416	1514								
		60	934	1280	1306								
		65	770	1080	1067								
		70	609	857	814								
		75	427	597	553								
		80	250	343	313								
		85	85	122	94								

Comparative yearly lighting energy cost per 1000 lumens – **\$4.00** based on 3000 hrs. and \$.08 pwr KWH.

### SV T5 Strip 2 lamp T5HO with asymmetric white reflector

Efficiency – 86.3%

LER – 65

TER – 38

Catalog No.	SV4S254UNV-1/2-EB with SV5R1W4ASLD	Candlepower						Light Distribution				Average Luminance			
		Angle	End	45	Cross	Back-45	Back-Cross	Degrees	Lumens	% Lamp	% Luminaire	Angle	End	45°	Cross
Test No.	C9467	0	1844	1844	1844	1844	1844	0-30	1499	17.0	19.7	45	20724	23190	19429
S/MH	1.6	5	1854	1865	1843	1831	1801	0-40	2528	28.7	33.2	55	21212	24367	18563
Lamp Type	54WT5HO	15	1796	1890	1900	1776	1756	0-60	4833	54.9	63.5	65	21154	22968	17725
Lumens/Lamp	4400	25	1677	1842	1926	1669	1674	0-90	6911	78.5	90.8	75	21229	18167	16330
Ballast Factor	1.00	35	1500	1800	1911	1516	1608	0-180	7613	86.5	100.0	85	20393	3969	12898
Input Watts	118	45	1271	1675	1825	1362	1517								
		55	985	1496	1682	1180	1293								
		65	693	1254	1441	907	898								
		75	391	977	1165	467	435								
		85	104	601	815	64	32								
		95	26	473	668	16	0								
		105	23	392	644	8	0								
		115	29	276	487	15	0								
		125	27	156	324	15	0								
		135	20	43	157	6	0								
		145	33	6	37	19	0								
		155	26	22	0	22	0								
		165	28	25	2	24	3								
		175	31	20	2	25	0								

Comparative yearly lighting energy cost per 1000 lumens – **\$3.69** based on 3000 hrs. and \$.08 pwr KWH.

# SV Strip

2', 3', 4', or 8', T5 or T5HO

## SV T5 Strip 1 lamp T5HO with clear linear lens and perforated reflector

LER – 68

TER – 40

Report Number: LSC B767  
Catalog Number: SV4S154UNV-1/1-EB with SV5CLW4SPER

Angle	Along	22.5	45.0	67.5	Across	Lumens
0	1069	1069	1069	1069	1069	
5	1069	1058	1077	1077	1064	104
15	1040	1036	1063	1075	1066	298
25	969	980	1013	1031	1027	463
35	874	892	923	919	922	567
45	747	733	762	806	816	593
55	543	528	628	695	729	556
65	280	355	481	536	549	446
75	112	185	332	385	400	309
85	11	55	199	280	303	192
90	0	30	149	229	254	
95	1	20	140	232	255	143
105	6	32	117	178	215	116
115	28	33	70	122	151	80
125	51	48	43	68	84	50
135	50	52	40	53	49	38
145	54	59	52	45	48	32
155	47	52	66	52	44	25
165	45	46	47	73	71	16
175	69	68	57	55	52	6
180	57	57	57	57	57	

**Coefficients of Utilization**

Ceiling	80%				50%				30%				
Wall	70	50	30	10	50	30	10	50	30	10	50	30	10
RCR	Zonal Cavity Method— Effective Floor Cavity Reflectance = 0.20												
Room Cavity Ratio	1	95	91	87	83	82	79	76	76	74	72		
	2	86	79	73	67	71	66	62	67	63	59		
	3	79	69	62	56	63	57	53	59	54	50		
	4	72	61	54	48	56	50	45	52	47	43		
	5	66	54	46	40	49	43	38	46	41	36		
	6	61	48	40	35	44	38	33	42	36	32		
	7	56	43	36	30	40	33	28	37	32	27		
	8	51	39	31	26	36	29	25	34	28	24		
	9	47	35	27	22	32	26	21	30	25	20		
	10	44	32	24	20	29	23	19	28	22	18		

**Luminaire Data in Candela/Sq. Meter**

Average in Deg.	Average 0-Deg.	Average 45-Deg.	Average 90-Deg.
45	8895.	6481.	6198.
55	7971.	5858.	5900.
65	5589.	5136.	4918.
75	3641.	4303.	4151.
85	1053.	3423.	3877.

**Zonal Lumen Summary**

Zone	Lumens	% Lamp	% Fixt
0-30	864	19.42	21.43
0-40	1431	32.16	35.49
0-60	2580	57.98	63.98
0-90	3527	79.26	87.47
40-90	2095	47.10	51.97
60-90	946	21.28	23.48
90-180	505	11.36	12.53
0-180	4032	90.62	100.00

## SV T5 Strip 2 lamp T5 with perforated white blade louver and perforated reflector

LER – 70

TER – 43

Report Number: LSC B765  
Catalog Number: SV4S228UNV-1/2-EB with SV5LVW4SPER

Angle	Along	22.5	45.0	67.5	Across	Lumens
0	1347	1347	1347	1347	1347	
5	1331	1328	1351	1349	1340	129
15	1223	1233	1287	1332	1341	361
25	1080	1092	1168	1267	1319	543
35	900	935	1049	1197	1282	666
45	690	755	907	1072	1154	701
55	468	547	725	819	890	617
65	266	337	469	548	589	443
75	120	170	265	326	324	265
85	21	54	155	241	230	161
90	0	37	133	209	191	
95	0	26	130	212	195	127
105	1	42	128	188	190	118
115	32	48	121	158	167	106
125	52	52	103	136	137	86
135	56	60	76	108	105	61
145	58	68	64	73	67	42
155	48	54	68	57	60	28
165	50	59	48	71	71	17
175	70	62	66	57	47	6
180	58	58	58	58	58	

**Coefficients of Utilization**

Ceiling	80%				50%				30%				
Wall	70	50	30	10	50	30	10	50	30	10	50	30	10
RCR	Zonal Cavity Method— Effective Floor Cavity Reflectance = 0.20												
Room Cavity Ratio	1	91	87	83	80	78	76	73	73	71	69		
	2	83	76	71	66	69	65	61	64	61	58		
	3	76	67	61	56	61	56	52	57	53	50		
	4	70	60	53	47	55	49	45	51	47	43		
	5	64	53	46	40	48	42	38	45	40	36		
	6	59	48	40	35	43	37	33	41	36	32		
	7	54	43	35	30	39	33	29	37	32	28		
	8	50	38	31	26	35	29	25	33	28	24		
	9	46	35	27	22	32	26	21	30	25	21		
	10	43	31	24	20	29	23	19	27	22	18		

**Luminaire Data in Candela/Sq. Meter**

Angle	Along	45	Across
45	8217.	7710.	8759.
55	6868.	6760.	7202.
65	5306.	5016.	5274.
75	3892.	3426.	3367.
85	2036.	2661.	2942.

**Zonal Lumen Summary**

Zone	Lumens	% Lamp	% Fixt
0-30	1033	19.87	23.08
0-40	1698	32.67	37.95
0-60	3017	58.03	67.41
0-90	3885	74.73	86.81
40-90	2187	42.06	48.86
60-90	868	16.70	19.40
90-180	590	11.35	13.19
0-180	4476	86.08	100.00

