

Day-Brite

CFI

by  Signify

Recessed

TG8 troffer 2x2

TT5



Project: _____
 Location: _____
 Cat.No: _____
 Type: _____
 Lamps: _____ Qty: _____
 Notes: _____

Day-Brite / CFI TG8 troffer is a quality low-profile recessed luminaire with specification features. It is designed around modern lamps and electronic ballasts.

Ordering guide

Example: 2TG82CF40R-01-UNV-1/2-EB-LPT835

Width	Family	Ceiling Type	Housing	No. of Lamps (not included)	Lamp Type	Revision	Door Frame	Lens	Door Finish	Voltage	Options
2	T		8			R					
2 2'	T TG8 troffer	G Grid F Flange	8 Low profile housing	2 3 4	CF40 40WTT5 (24") CF50 50WTT5 (24") CF55 55WTT5 (24")	R Revised housing (2x2)	BLANK Flat Steel FA Flat Aluminum RA Regressed Aluminum	01 Pattern 12 prismatic acrylic 12 K12, .125" nominal 19 K19, .156" nominal 21 Pattern 12, .125" nominal 30 1/2"x1/2"x1/2" silver louver, polystyrene 34 1-1/2"x1-1/2"x1" silver louver, polystyrene 52 3/4"x3/4"x1/2" silver louver, polystyrene PL3 ALP Para-lite3 high efficiency 3/4"x3/4"x1/2" silver louver, polystyrene	BLANK White B Black Door Door	120 277 347 UNV Universal Voltage 120-277V	1/2 One 2-lamp ballast 1/3 One 3-lamp ballast 1/21 2-lamp & 1-lamp ballasts 2/2 Two 2-lamp ballasts EB Electronic ballast, <10% THD, std. ballast factor EB101 Electronic ballast, CF40 instant start, <10% THD EBD Electronic dimming ballast, customer specified EBD7 Advance Mark 7 dimming ballast, 0-10V (low voltage) control EBDX Advance Mark 10 dimming ballast, phase control E5 B50 emerg. ballast, U.S. or Canada market, 1100-1400 lumens, UNV F1 3/8" flex 3 wire, 18 gauge 6' F2 3/8" flex 4 wire, 18 gauge 6' F2/5W 3/8" single flex, 5 wire 18 gauge 6' for dimmable luminaires GLR Fusing, fast blow LPT830 Installed lamps, 80+ CRI, 3000K LPT835 Installed lamps, 80+ CRI, 3500K LPT841 Installed lamps, 80+ CRI, 4100K 1W 1-way gasketing, between lens & door frame (not avail. w/RA door) 2W 2-way gasketing, 1W + gasketing between door frame & housing 3W 3-way gasketing, 2W + gasketing for field installation between housing & ceiling

Accessories

FMA22 2'x2' "F" mounting frame for NEMA "F" mounting
 FKTG822 Flange conversion kit, 2x2 TG8



2TG8 TG8 troffer 2x2

TT5

Construction/finish

- A quality low-profile troffer with specification features for NEMA "G" grid, NEMA "NFG" narrow face grid, NEMA "GR" grid regressed, NEMA "NFSG" narrow faced slot grid, or NEMA "F" flange ceiling types.
- 3" nominal housing depth.
- Smooth rolled edges on all four sides for easy handling.
- Die-formed one piece housing includes stiffening embosses and provides increased rigidity.
- Housing is multi-stage phosphate treated for maximum corrosion resistance and finish coat is high reflectance baked white enamel.
- Integral baffling system to prevent light leaks.
- Integral wire hanger holes for independent wire suspension.
- Embosses with holes provided in housing end for screwing to T-bar if desired.
- Factory installed access plate in housing top includes 7/8" hole with rolled edge and 7/8" K.O.
- Some models utilizing multiple ballasts will be supplied with a top mounted ballast box, which will increase the height of the luminaire.
- T-bar grid clips built into luminaire, no extra parts required. Designed for use with standard grid ceiling members, 1-1/2" maximum height.
- Carton includes integral carrying handle for easy handling and tear tape for easy opening.

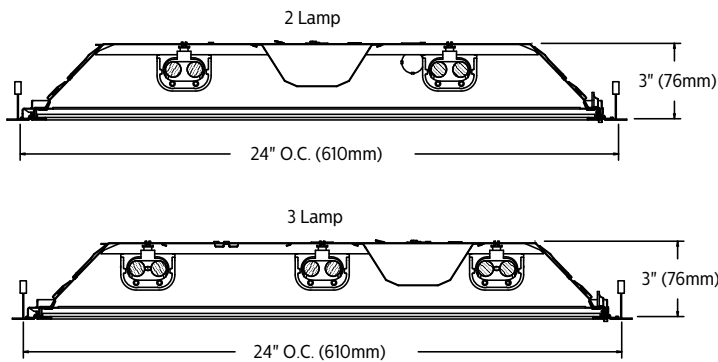
Electrical

- cULus listed, for damp locations.
- Self-contained fluorescent emergency power packs can be incorporated, listed for dry locations.

Enclosure

- Full "C" channel door frames for improved lens support and reduced shipping damage.
- Flat steel door frame features smooth rolled edges inside and outside.
- Door frame uses T-hinges and can be hinged and latched from either side.
- Opposable stainless steel spring loaded latches are standard for easy operation and consistent retention.
- Door frame has true mitered corners.

Dimensions

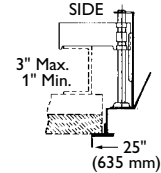
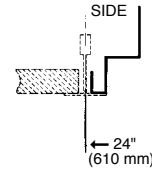


Ceiling Configuration

2 T G 8 2 CF40 R
Ceiling type

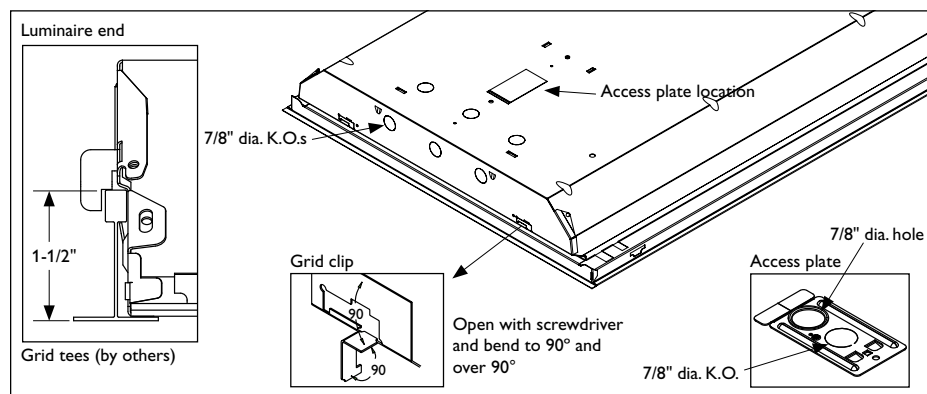
G = Grid (NEMA G)

F = Flange (NEMA F)



(NEMA Type G)
Lay-in acoustical ceilings using exposed grid suspension, with tees for luminaires on 24" x 48" spacing.

(NEMA Type F)
Flange for acoustical ceilings using concealed mechanical suspension. Swing-jack mounting brackets: adjustment 3" max. and 1" min. Refer to sheet 801-CL for output information.



2TG8 TG8 troffer 2x2

TT5

Photometry

TG8 troffer 2x2 2 Lamp CF40

Efficiency – 78.0%

LER – 64

TER – 56

Catalog No.	2TG82CF40R-01-1/2-EB	Candlepower				Light Distribution				Average Luminance			
		Angle	End	45	Cross	Degrees	Lumens	% Lamp	% Luminaire	Angle	End	45'	Cross
Test No.	27169	0	1927	1927	1927	0-30	1535	24.4	31.2	45	5069	5750	6455
S/MH	1.4	5	1917	1919	1928	0-40	2528	40.1	51.4	55	4027	4410	4947
Lamp Type	40WTT5	10	1893	1902	1921	0-60	4183	66.4	85.1	65	3140	2884	3458
Lumens/Lamp	3150	15	1850	1878	1914	0-90	4915	78.0	100.0	75	3038	2532	2950
Ballast Factor	.90	20	1784	1834	1896					85	3158	3383	3195
Input Watts	69	25	1694	1778	1874								
		30	1583	1705	1828								
		35	1438	1598	1745								
		40	1274	1450	1607								
		45	1094	1241	1393								
		50	893	1000	1120								
Comparative yearly lighting energy cost per 1000 lumens – \$3.75 based on 3000 hrs. and 5.08 pwr KWH.		55	705	772	866								
		60	537	557	638								
		65	405	372	446								
		70	311	248	314								
		75	240	200	233								
		80	167	163	165								

The photometric results were obtained in the Day-Brite laboratory which is NVLAP accredited by the National Institute of Standards and Technology.

TG8 troffer 2x2 3 Lamp CF40

Efficiency – 76.0%

LER – 61

TER – 55

Catalog No.	2TG83CF40R-01-1/21-EB	Candlepower				Light Distribution				Average Luminance			
		Angle	End	45	Cross	Degrees	Lumens	% Lamp	% Luminaire	Angle	End	45'	Cross
Test No.	27174	0	1616	1616	1616	0-30	2299	24.3	32.0	45	7622	8280	8971
S/MH	1.3	5	1612	1610	1603	0-40	3760	39.8	52.3	55	6004	6267	6855
Lamp Type	40WTT5	10	1583	1591	1595	0-60	6135	64.9	85.4	65	4597	4039	4939
Lumens/Lamp	3150	15	1534	1559	1572	0-90	7183	76.0	100.0	75	4494	3608	4228
Ballast Factor	.90	20	1476	1510	1552					85	4737	4737	4474
Input Watts	106	25	1401	1458	1534								
		30	1317	1406	1576								
		35	1223	1383	1867								
		40	1108	1435	1803								
		45	979	1474	1467								
Comparative yearly lighting energy cost per 1000 lumens – \$3.93 based on 3000 hrs. and 5.08 pwr KWH.		50	826	1311	1606								
		55	635	1024	1029								
		60	288	586	416								
		65	35	168	241								
		70	4	14	36								
		75	2	3	3								
		80	1	1	2								
		85	1	1	1								

The photometric results were obtained in the Day-Brite laboratory which is NVLAP accredited by the National Institute of Standards and Technology.



Some luminaires use fluorescent or high intensity discharge (HID) lamps that contain small amounts of mercury. Such lamps are labeled, "Contain Mercury" and/or the symbol "HG". Lamps that contain mercury must be disposed of in accordance with local requirements. Information regarding lamp recycling and disposal can be found at www.lamprecycle.org

