

# Day-Brite

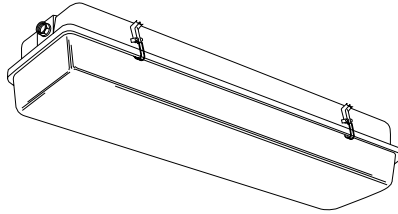
## CFI

by Signify

### Industrial

Vaporlume V2

2' sealed industrial,  
T5, T5HO, or T8



Project: \_\_\_\_\_  
 Location: \_\_\_\_\_  
 Cat.No: \_\_\_\_\_  
 Type: \_\_\_\_\_  
 Lamps: \_\_\_\_\_ Qty: \_\_\_\_\_  
 Notes: \_\_\_\_\_

Day-Brite / CFI Vaporlume sealed industrial V2 is a wet location listed luminaire with a fiberglass reinforced polyester housing, high impact DR acrylic lens and stainless steel cam action latches.

#### Ordering guide

Example: V2WAE217-UNV-1/2-EBLHE

Family	Application	Lens	Hubs Installed	No. of Lamps Per Cross Section	Lamp Type	Voltage	Options
V2	W				—	—	
V2 Vaporlume	W Wet Location	A DR Acrylic P Polycarbonate	E Ends only T Top only B Both ends and top	(not included) 1 2	14 14WT5 (22") 17 17WT8 (24") 24HO 24WT5HO (22")	UNV Universal voltage 120/277V 120 120V 277 277V 347 347V	1/1 One 1-lamp ballast 1/2 One 2-lamp ballast EB Electronic ballast, <10% THD EB10R T8 electronic ballast, program rapid start, <10% THD EBHE T8 electronic ballast, high efficiency, std. ballast factor EBLHE T8 electronic ballast, high efficiency, low ballast factor EBHHE T8 electronic ballast, high efficiency, high ballast factor EBSD T8 electronic step dimming ballast, .88 ballast factor EBD7 Advance Mark 7 dimming ballast, 0-10V (low voltage) control EBDX Advance Mark 10 dimming ballast, phase control EBD Electronic dimming ballast, customer specified LT20 -20°F start option (T8, use in conjunction with ballast option) E1 B100 emerg. ballast, T8, 350-450 lumens, 120/277V E7 B60 emerg. ballast, T8, 600-700 lumens, 120/277V GLR Fusing, fast blow MD360W Wet location occupancy sensor, external TR Torx T-15 tamper resistant stainless steel latches (TPDTH tamper proof driver required)

#### Accessories (order separately)

- **TBK** Stainless Steel Top Bracket Kit (pair of brackets plus mounting hardware)
- **EBK** Stainless Steel End Bracket Kit (pair of brackets plus mounting hardware)
- **WBK** Stainless Steel Wraparound Kit (pair of brackets plus mounting hardware)
- **FKR-126** Chain hanger set (requires TBK)
- **TPDTH** Tamper proof driver, Torx T-15 head pin drive and handle (required with TR option)

See section 1600-OA for options info. and sheet 1455-IF for mounting hardware.



# V2 Vaporlume sealed industrial

2', T5, T5HO, or T8

## Application

- Acceptable for outdoor as well as indoor installations.
- Can be surface (wall/ceiling) or suspended mounted unless otherwise specified.
- Wet Location—Areas of high humidity, water vapor, rain, incidental water spray, or other non-corrosive or non-flammable liquid.
- IP65 rating standard.

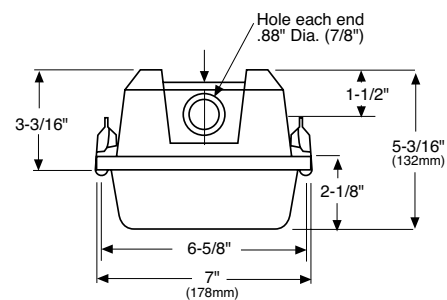
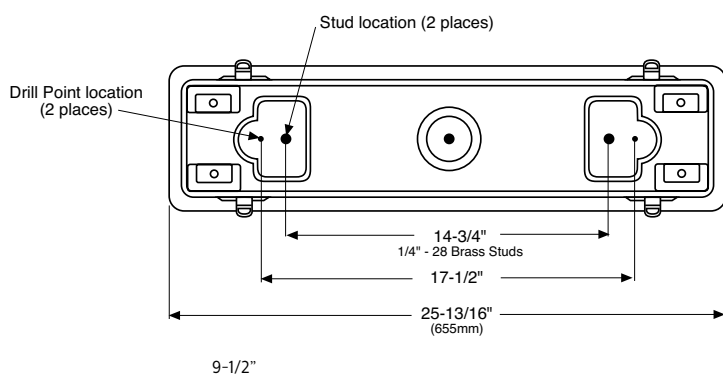
## Construction/Finish

- Non-conductive, non-corrosive housing.
- Smooth exterior surface for easy cleaning.
- Molded fiberglass reinforced polyester body.
- High impact DR acrylic molded lens.
- Continuous closed cell, foam in-place gasket.
- Stainless steel cam action latches standard.
- Lighting channel painted after fabrication with polyester powder coating.
- Wet location hubs installed.

## Electrical

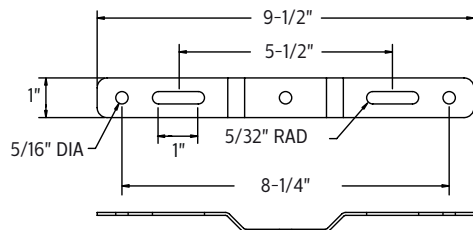
- cULus listed for wet locations. Also suitable for damp locations.
- Self-contained fluorescent emergency ballasts available.

## Dimensions

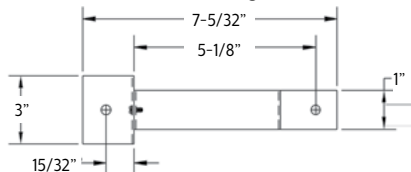


## Mounting Brackets

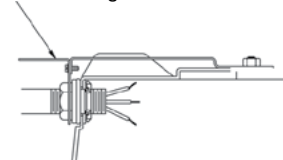
TBK - Top Mounting Bracket



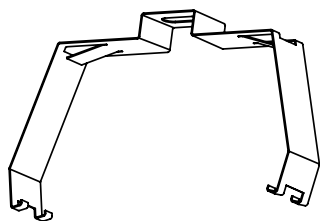
EBK - End Mounting Bracket



EBK - End Mounting Bracket



WBK - Wraparound Mounting Bracket



# V2 Vaporlume sealed industrial

2', T5, T5HO, or T8

## Photometry

### V2 2' 2 Lamp F20

Efficiency – 76.6%

LER – F-35

TER – 19

		Candlepower				Light Distribution				Average Luminance			
		Angle	End	45	Cross	Degrees	Lumens	% Lamp	% Luminaire	Angle	End	45'	Cross
<b>Catalog No.</b>	V2WAE220	0	466	466	466	0-30	368.	14.6	19.0	45	2970	3416	3703
<b>Test No.</b>	12122	5	454	462	469	0-40	610.	24.2	31.6	55	2679	3326	3717
<b>S/MH</b>	1.4	15	429	451	469	0-60	1127.	44.7	58.3	65	2405	3333	3933
<b>Lamp Type</b>	F20	25	384	427	457	0-90	1697.	67.3	87.9	75	2021	3384	4295
<b>Lumens/Lamp</b>	1260	35	325	395	430	90-180	234.	9.3	12.1	85	1414	3405	4686
<b>Ballast Factor</b>	.95	45	261	350	388	0-180	1931.	76.6	100.0				
<b>Input Watts</b>	53	55	197	301	346								
		65	137	252	309								
		75	78	198	265								
		85	27	135	201								
		95	15	89	143								
		105	13	64	104								
		115	9	43	68								
		125	5	26	39								
		135	3	14	22								
		145	1	7	11								
		155	1	3	5								
		165	2	3	2								
		175	1	2	2								
Comparative yearly lighting energy cost per 1000 lumens – <b>\$6.86</b> based on 3000 hrs. and \$.08 pwr KWH.													
The photometric results were obtained in the Day-Brite laboratory which is NVLAP accredited by the National Institute of Standards and Technology.													
						<b>Coefficients of Utilization</b>							
						<b>EFFECTIVE FLOOR CAVITY REFLECTANCE 20 PER (pfc=0.20)</b>							
						pcc				70			
						pw				50			
						RCR				30			
						1				70 50 30			
						2				70 50 30			
						3				70 50 30			
						4				70 50 30			
						5				70 50 30			
						6				70 50 30			
						7				70 50 30			
						8				70 50 30			
						9				70 50 30			
						10				70 50 30			



Some luminaires use fluorescent or high intensity discharge (HID) lamps that contain small amounts of mercury. Such lamps are labeled, "Contain Mercury" and/or the symbol "HG". Lamps that contain mercury must be disposed of in accordance with local requirements. Information regarding lamp recycling and disposal can be found at [www.lamprecycle.org](http://www.lamprecycle.org)

