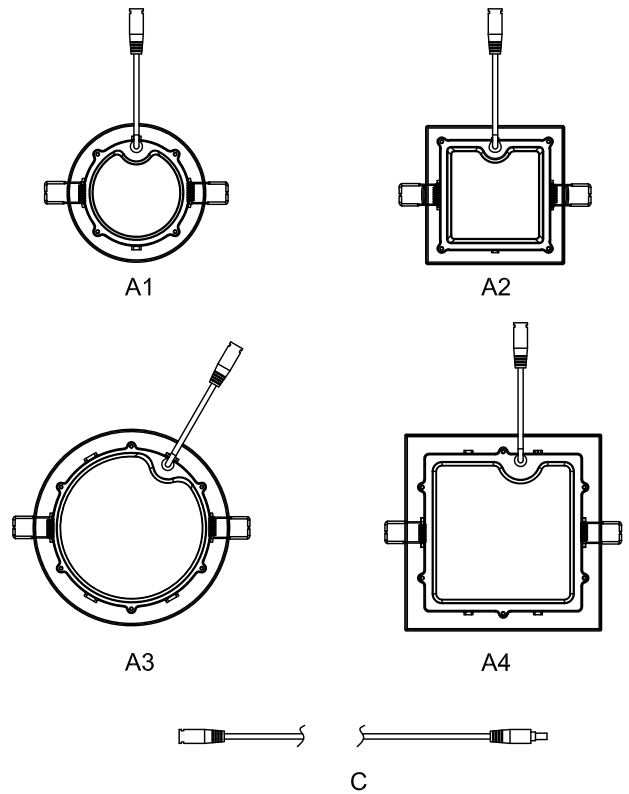
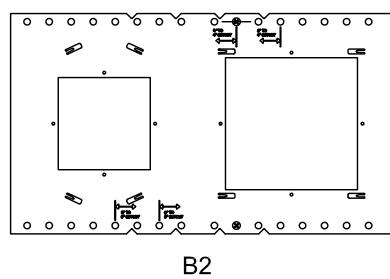
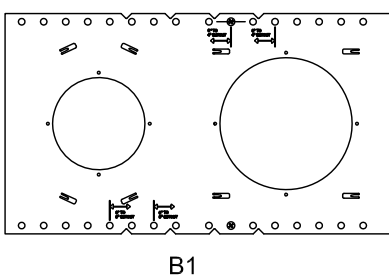


# IS: FD\_TE1W FLAT DOWNLIGHT

READ AND UNDERSTAND THESE INSTRUCTIONS BEFORE INSTALLING LUMINAIRE  
 This luminaire is intended for installation in accordance with the National Electrical Code and local regulations.  
 To assure full compliance with local codes and regulations, check with your local electrical inspector  
 before installation. To prevent electric shock, turn off electricity at fuse box before proceeding.

PRODUCTS COVERED		
CATALOG CODE	DESCRIPTION	ILL.
FD4R07930TE1W	Flat DL 4" Round 700lm 90 30K 120V	A1
FD4S07930TE1W	Flat DL 4" Square 700lm 90 30K 120V	A2
FD6R09930TE1W	Flat DL 6" Round 900lm 90 30K 120V	A3
FD6S09930TE1W	Flat DL 6" Square 900lm 90 30K 120V	A4
FDRN	Flat 4" and 6" Round NC Plate	B1
FDSN	Flat 4" and 6" Square NC Plate	B2
FD06C	Flat DL 6' Extension Cable	C
FD20C	Flat DL 20' Extension Cable	C



FOR NEW CONSTRUCTION APPLICATIONS FOLLOW STEPS 1 THROUGH 6  
 FOR REMODELER APPLICATIONS GO TO SHEET 2

1.) INSTALL FRAMEPLATE (ROUND STYLE SHOWN)  
 PLACE FRAMEPLATE AGAINST FACE OF RAFTER USING (2) DRYWALL SCREWS IN THE DESIRED ORIENTATION HOLES FOR CORRECT CENTERING (PRESET AND MARKED FOR 12" & 16" ON CENTER)

CEILING RAFTER

6" ON CENTER

12" ON CENTER

6" ON CENTER

SECURE PLATE TO RAFTER WITH DRYWALL SCREWS

PLATE LAYOUT FOR 4" DOWNLIGHT WITH 12" ON CENTER RAFTERS

PLATE LAYOUT FOR 6" DOWNLIGHT WITH 12" ON CENTER RAFTERS

2.) USE WIRE NUTS TO MAKE CONNECTIONS. PLACE SPLICES IN J-BOX BEFORE CLOSING COVER.

SUPPLY WIRE

CONNECTOR

REMOVE KNOCKOUT

SUPPLY

GROUND GREEN

LINE BLACK

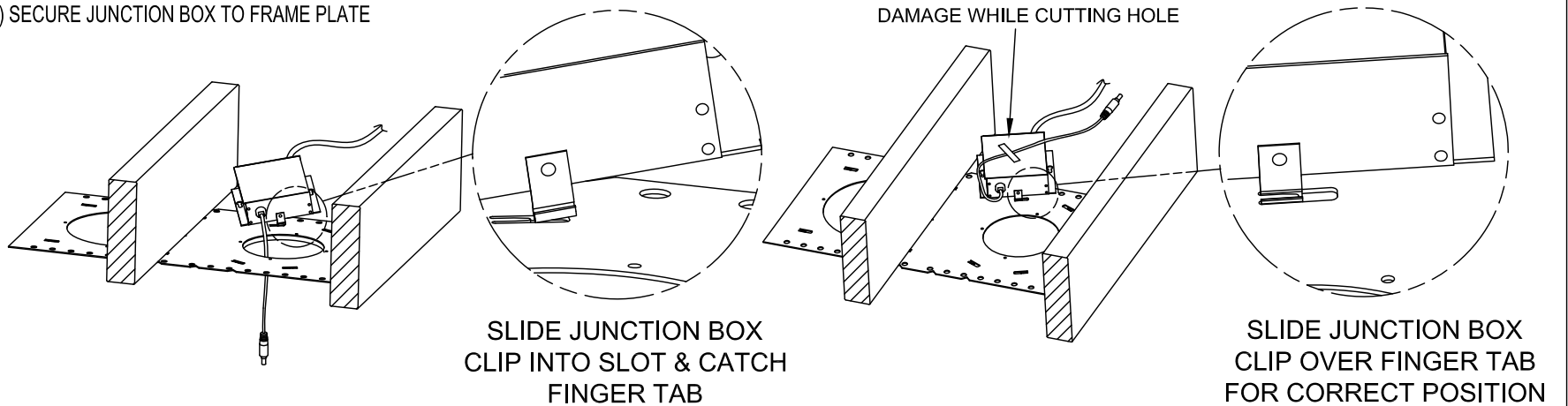
COMMON WHITE

DRIVER



# IS: FD\_TE1W FLAT DOWNLIGHT

## 3.) SECURE JUNCTION BOX TO FRAME PLATE



SECURE WIRE TO PREVENT DAMAGE WHILE CUTTING HOLE

NOTE: FOR REMOTE WIRING UP TO 20' USE FD06C OR FD20C.  
SECURE JUNCTION BOX TO A STRUCTURAL MEMBER IN AN ACCESSIBLE LOCATION BEFORE CONNECTING TO DOWNLIGHT WITH EXTENSION CABLE

CONNECT TO JUNCTION BOX

CONNECT TO FLAT DOWNLIGHT

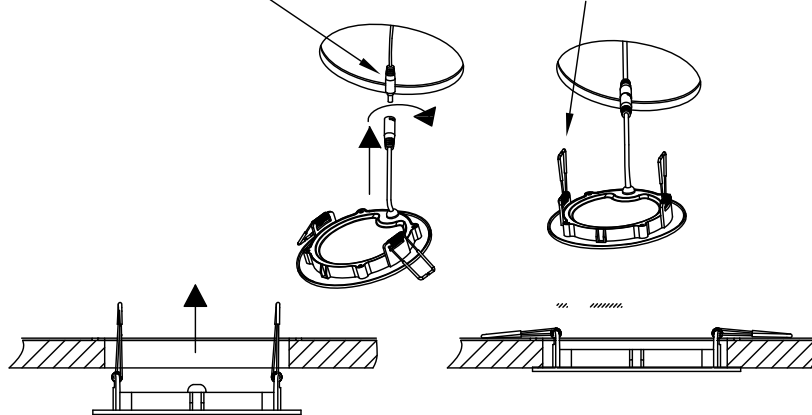
## 4.) INSTALL DRYWALL (FINISH CEILING MATERIAL) DIRECTLY OVER FRAME PLATE. NOTE: USE SOME METHOD OF LOCATING THE CENTER OF EACH APERTURE HOLE.

## 5.) SELECT DESIRED METHOD OF CUTTING HOLE (i.e. : HAND SAW, HOLESAW) . CAUTION: DO NOT CUT HOLE LARGER THAN THE FRAME PLATE OPENING.

## 6.) CONNECT DOWNLIGHT TO JUNCTION BOX POWERCORD & INSTALL.

INSERT DOWNLIGHT CORD INTO JUNCTION BOX AND TWIST TO LOCK

PUSH AND HOLD BOTH INSTALLATION SPRINGS IN A VERTICAL POSITION BEFORE INSERTING INTO FRAME



FOR REMODELER APPLICATIONS ATTACH J-BOX CLIP TO INSTALLATION SPRING AS SHOWN BELOW TO ASSURE ELECTRICAL CODE COMPLIANCE.

