

Day-Brite

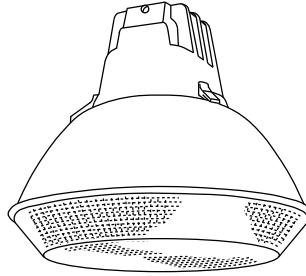
CFI

by Signify

Industrial

LBN low bay

175-400W MH or HPS
175-400W PSMH



Project: _____
Location: _____
Cat.No: _____
Type: _____
Lamps: _____ Qty: _____
Notes: _____

Day-Brite / CFI LBN low bay offers the high efficiency general purpose industrial lighting for mounting height requirements of 30' and below.

Ordering guide

Example: LBN400PMT-PSC-OR CRA

Ballast Assembly	Wattage	Lamp Source	Voltage	Options	Optical Assembly
LBN					
LBN	175 175 ⁴	M Metal Halide	12 120	CUL UL Listing to meet CSA standards	CRA Acrylic Lens
	200 200 ³¹	S High Pressure Sodium	20 208	OR Option required for metal halide and pulse start metal halide lamps (exclusionary "pink" socket)	CRP Polycarbonate Lens
	250 250	P Pulse Start Metal Halide	24 240		
	320 320 ³⁰	(PSC ballasts option must be specified to comply with EISA for 175W-400W)	27 277	PSC Pulse Start CWA Ballast	
	350 350 ³⁰		34 347	Q Quartz Standby	
	400 400		48 480	QEM Quartz Emergency ⁴⁰	
			MT 120/208 240/277	QTD Quartz Time Delay	
			TT 120/277 347	WDF Wired Double Fuse ⁴⁵	
				WSF Wired Single Fuse ⁴⁶	
				55 55°C Ambient	

Accessories (order separately)

- **CH** Cover Half for Power Hook (use with PB)
- **PB** Power Box for Power Hook (use with CH)
- **HMR** Suspension Hook Male
- **HP12-3** 3' Hook-Cord-Plug Assembly 120V
- **HP25-3** 3' Hook-Cord-Plug Assembly 208-240V
- **HP27-3** 3' Hook-Cord-Plug Assembly 277V
- **HP48-3** 3' Hook-Cord-Plug Assembly 480V
- **SCB3** Ballast Retainer Chain 3'
- **SCOP** Optical Retainer Chain
- **WGBRA/CRA** Wire Guard

(Refer to Section 18000 for additional accessories.)

Footnotes

- ¹ Not available in 480V.
- ⁴ Not available in High Pressure Sodium.
- ³⁰ Pulse Start Metal Halide Only.
- ³¹ Not available in standard Metal Halide.
- ⁴⁰ Requires 120 volt secondary power supply.
- ⁴⁵ Use with 208, 240, and 480 volt.
- ⁴⁶ Use with 120, 277, and 347 volt.

General Notes

- All accessories are field installed.
- Mogul base lamp only.
- All options factory installed.
- Ballast assembly and optical assembly to be ordered and shipped separately.
- Many luminaire components, such as reflectors, refractors, lenses, sockets, lampholders, and LEDs are made from various types of plastics which can be adversely affected by airborne contaminants. If sulfur based chemicals, petroleum based products, cleaning solutions, or other contaminants are expected in the intended area of use, consult factory for compatibility.
- **Warning:** Refer to and follow the lamp manufacturer's warnings and instructions.



Standard Metal Halide
Between 175W and 400W
Not available in USA



LBN Low bay

175-400W MH or HPS, 175-400W PSMH

Application

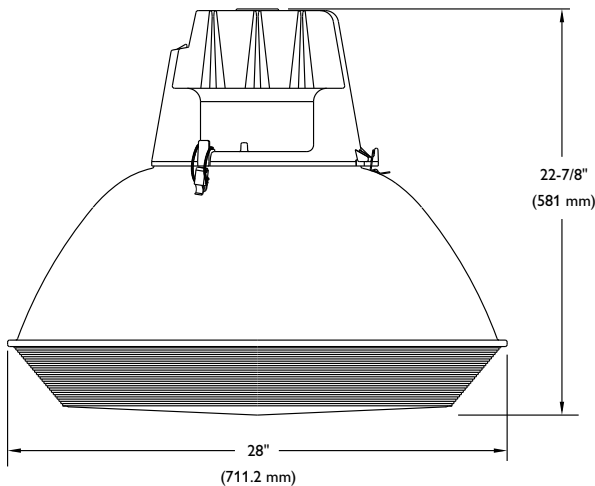
- The Day-Brite / CFI LBN Low Bay Luminaire offers the high efficiency general purpose industrial lighting for mounting height requirements of 30' and below.

Construction/Finish

- UL 1598 Listed suitable for wet location and 40°C ambient for all lamp wattages listed.
- Use "O" rated, protected metal halide lamps only.
- 3/4" threaded cast aluminum nut and hub for easy, positive mounting.
- Heavy wall, one piece die cast aluminum housing with white polyester powder finish.
- Day-Brite "Slant 2" ballast mounting for cooler operation. Ballast has high temperature class H insulation and a minimum starting temperature of -40°C (-40°F) for HPS and Pulse Start MH or -30°C (-20°F) for MH.

- Corrosion resistant stainless steel latches.
- Precision spun heavy gauge aluminum reflector coated inside and out with highly reflective (90-92%) white polyester powder finish.
- One piece injection molded lens; 3/16" minimum thickness of 100% virgin acrylic for excellent brightness control and high efficiency.
- Large wiring access with captive retainer screw.

Dimensions



Energy Data

HIGH PRESSURE SODIUM

CWA BALLAST INPUT WATTS
200 Watt-240 Watts
250 Watt-295 Watts
310 Watt-365 Watts
400 Watt-464 Watts

METAL HALIDE

CWA BALLAST INPUT WATTS
175 Watt-210 Watts
200 Watt-232 Watts
250 Watt-295 Watts
320 Watt-368 Watts
350 Watt-400 Watts
400 Watt-458 Watts

LBN Low bay

175-400W MH or HPS, 175-400W PSMH

Photometry

Catalog No.	LBN400WMH-CRA	Candlepower				Light Distribution				Average Brightness													
Test No.	17309	Angle	Avg. Candela	Angle	Avg. Candela	Degrees	Lumens	% Lamp	% Luminaire	Zone	End	45	Cross										
Wide Spread S/MH	2.0	0	6192	95	635	0-30	6206	15.5	18.6	45	20909	19898	21408										
Lamp Type	400W MH	5	6314	105	362	0-40	11529	28.8	34.6	55	19546	18317	18377										
Lumens/Lamp	40,000	15	6906	115	227	0-60	24322	60.8	72.9	65	14310	12634	14125										
Ballast Factor	1.0	25	7671	125	208	0-90	31838	79.6	95.4	75	10180	8803	10171										
Input Watts	458	35	8469	135	14	0-180	33360	83.4	100.0	85	8292	6576	8364										
		45	8767	145	0	Coefficients of Utilization																	
		55	6855	155	0	EFFECTIVE FLOOR CAVITY REFLECTANCE 20 PER (pfc=0.20)																	
		65	4063	165	0	Ceil	80			70			50			30			10				
		75	2131	175	0	Wall	70	50	30	10	70	50	30	10	50	30	10	50	30	10			
		85	1042			RCR																	
						0	98	98	98	98	96	96	96	96	91	91	91	86	86	86	82	82	82
						1	89	85	81	77	86	82	79	76	78	75	72	74	72	70	70	69	67
						2	80	73	67	62	78	71	65	61	67	63	59	64	60	57	61	58	55
						3	73	63	56	50	70	62	55	50	59	53	48	56	51	47	53	49	46
						4	66	55	48	42	64	54	47	41	51	45	40	49	44	39	47	42	38
						5	60	49	41	35	58	48	40	35	46	39	34	43	38	33	41	37	33
						6	55	44	36	30	53	43	35	30	41	34	29	39	33	29	37	32	28
						7	51	39	31	26	49	38	31	26	37	30	25	35	29	25	34	28	24
						8	47	35	28	23	46	35	28	23	33	27	22	32	26	22	30	25	21
						9	44	32	25	20	42	31	25	20	30	24	20	29	23	19	28	23	19
						10	41	29	23	18	40	29	22	18	28	22	18	27	21	17	26	21	17

Comparative yearly lighting energy cost per 1000 lumens – **\$3.29** based on 3000 hrs. and **\$.08** pwr KWH.

The photometric results were obtained in the Day-Brite laboratory which is NVLAP accredited by the National Institute of Standards and Technology.



Some luminaires use fluorescent or high intensity discharge (HID) lamps that contain small amounts of mercury. Such lamps are labeled, "Contain Mercury" and/or the symbol "HG". Lamps that contain mercury must be disposed of in accordance with local requirements. Information regarding lamp recycling and disposal can be found at www.lamprecycle.org

