

Project: \_\_\_\_\_

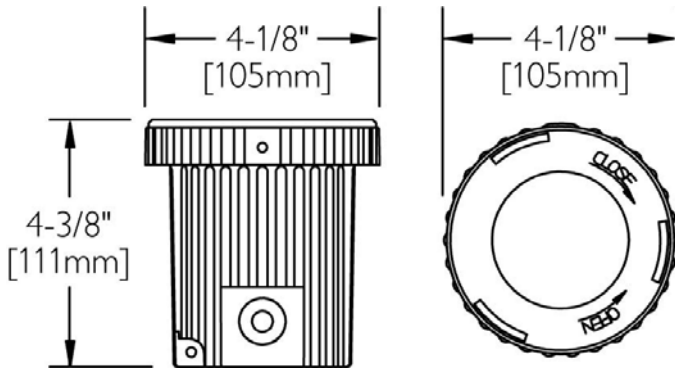
Location: \_\_\_\_\_

Cat.No: \_\_\_\_\_

Type: \_\_\_\_\_

Lamps: \_\_\_\_\_ Qty: \_\_\_\_\_

Notes: \_\_\_\_\_



### Ordering Guide

Example: IUL516 H LED7 NF W

<b>Product Code</b>	IUL516	LED Composite Inground
<b>Finish</b>	H	Bronze
<b>Source/Lumens</b>	LED7	7W LED
<b>Optics</b>	NF FL	Narrow Flood Flood
<b>CCT</b>	W	Warm

\*1 Fixture will be shipped with lamp. Lamp not sold separately.

### Specifications

#### HOUSING:

One-piece injection molded ULTEM® High Performance Polymer composite. Lens ring is a Single-piece injection molded ULTEM® High Performance Polymer with gasketed lens. Twist-off operation for ease of maintenance.

#### FINISH:

Composite is textured, pressure formed, molded-in-color.

#### OPTICAL ASSEMBLY:

Clear convex, tempered glass furnished with silicone O-ring for watertight seal.

#### LAMPING:

7W lamp with 25° or 35° beam spread, 25,000 hours life. Color temperature (CCT): Warm White (3,000K nominal). No Mercury. Dimmable. Approximately 460 lumens.

#### ELECTRICAL ASSEMBLY:

Bi-pin socket type (GU5.3) with 250° C high temperature teflon coated wire leads. 12 Volt fixture is pre-wired with 3-ft pigtail of 18-2 AWG, 105° C, SPT-1W wire. Low voltage quick connector, catalog #LVC3 included for easy hook-up to the low voltage supply cable, not included. 12 Volt system requires remote transformer, not included.

#### WARRANTY:

Five-year limited warranty.

#### CERTIFICATIONS:

ETL listed to U.S. safety standards for wet locations. cETL listed to Canadian safety standards for wet locations. Manufactured to ISO 9001:2008 Standards.

#### Height :

4 3/8" (111mm)

#### Width:

4 1/8" (105mm)

#### Max. Weight:

1.24 lb

