

LIGHTOLIER

by  Signify

Track Lighting

BoldFlood LED

LWW Track Head



Illuminate lavishly and boldly

Brings magnificent colors,
effortlessly and efficiently
and creates elegant flood
and wall wash performance.

Benefits

BoldFlood is a unique offering allowing for the best
in flood performance without giving up on efficacy.

- One of the industry's leading efficacy statistics
- Available in 2000lm and 4000lm packages with
multiple color temperatures, adapters, and finishes

* Based on Market Intelligence and comparisons to internal/testing and references.



LWW BoldFlood LED

Wall Flood / Wash

Features

Efficacy: 95-100lm/w (nom) @ 3000K
Lumens: 2000lm & 4000lm
Watts: 23-41W
CRI: 90-95 (min)
CCT: 2700K, 3000K, 3500K and 4000K
Volts: 120V (60Hz)
Lifetime: 50,000 hrs
Labels: cULus listed and ENERGY STAR® certified.
Warranty: 5 year



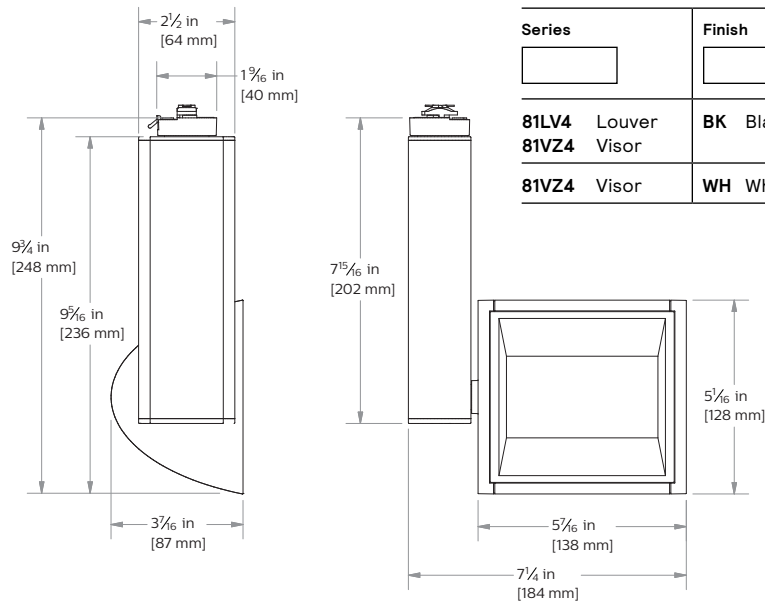
Designed for energy savers looking to maintain high quality performance and rich color saturation from an aesthetic track luminaire. It is available in 2000lm and 4000lm with industry leading price per foot value and overall efficacy. Perfect for illuminating any retail wall display or wall application with even brilliant light.

Fixture Complete luminaire = Fixture + Accessory (optional)

example: LWW20930H

Series	Adapter	Lumens	CRI/CCT	Finish
LWW	<input type="checkbox"/>	<input type="checkbox"/>	<input type="checkbox"/>	<input type="checkbox"/>
LWW BoldFlood	- Lightolier H Halo J Juno	20 2000lm 40 4000lm	927 90 CRI/2700K 930 90 CRI/3000K 935 90CRI/3500K 940 90CRI/4000K	AL Aluminum BK Black (matte) WH White (matte)

Dimensions



Accessories

Series	Finish
<input type="checkbox"/>	<input type="checkbox"/>
81LV4 Louver	BK Black
81VZ4 Visor	WH White

See spec sheet LWW for additional drawings and technical information.



Visit Signify.com/warranties for more information on Signify's standard 5-year limited warranty.

The information presented in this document is not intended as any commercial offer and does not form part of any quotation or contract.

