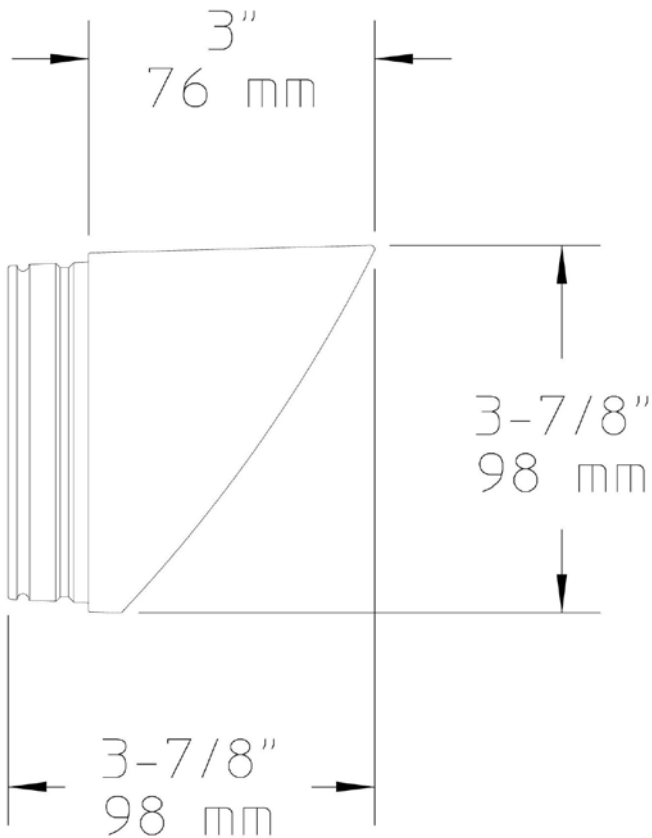


Project: _____
 Location: _____
 Cat.No: _____
 Type: _____
 Lamps: _____ Qty: _____
 Notes: _____



Ordering Guide

Example: 1 A S B

Product Code	1	Aluminum Shroud
Finish	A H G U T	Black Bronze Verde Sienna Speckled Stone
Shroud	S L	Short Shroud Long Shroud
Lens	B C O	Convex Ice Blue Lens Convex Clear Lens Flat / Clear Lens

Specifications

ACCESSORIES:

Accessory used with the following product(s): B1-A, B1-G, B1-H, B1-T, B1-U.

Die cast aluminum. Glass lens.

Thermoset polyester powdercoat finish.

