

Day-Brite

CFI

by Signify

Special Application

Kleenseal KTR 100

Cleanroom
T8, T8HO, T5, or T5HO



Project: _____
 Location: _____
 Cat.No: _____
 Type: _____
 Lamps: _____ Qty: _____
 Notes: _____

The Day-Brite / CFI Kleenseal KTR 100 recessed is a cleanroom luminaire well suited for laboratories and dirty areas such as locker rooms.

Ordering guide

Example: K1244F32G6AP31-1/4-EB

Family	Size	No. of Lamps/ Cross Section	Lamp Type	Ceiling Type	Door Frame	Lens Type	Voltage	No. of Ballasts	Ballast Type	Options
K1					6					
K1 Kleenseal KTR100	14 1x4 22 2x2 24 2x4	2 Two lamps 3 Three lamp 4 Four lamps (2x2,2x4) 6 Six lamps (2x4)	F17 17WT8 F32 32WT8 F44 44WT8HO F14 14WT5 F28 28WT5 F54 54WT5HO	G 1",1-1/2" Grid T 2G 2" Grid T F Flange	6 Aluminum 4-piece flush white	AP3 .125" Acrylic VPL Prismatic Sealed Louver Other lenses available	U Universal voltage, 120-277V 1 120V 2 277V 3 347V	1/2 One 2-lamp ballast 2/1 Two 1-lamp ballasts 1/3 One 3-lamp ballast 1/21 2-lamp & 1-lamp ballasts 1/4 One 4-lamp ballast 2/2 Two 2-lamp ballasts 2/3 Two 3-lamp ballasts 1/42 4-lamp & 2-lamp ballasts	EB Electronic ballast <10% THD EB10R T8 electronic ballast, program rapid start, <10% THD	GMF Fusing, slow blow TP Tamper resistant screws E7 B60 emerg. ballast, T8, 600-700 lumens, 120/277V E5 B50 emerg. ballast, U.S. or Canada market, T8, 1100-1400 lumens, UNV DN Lens Furnished Prisms Down SSD Stainless Steel inset door

Product Availability

Luminaire Length	Lamp Type	No. of Lamps
1x4	F32	2, 3
1x4	F28	2, 3
2x2	F14	2, 3, 4
2x2	F17	2, 3, 4
2x4	F32	2, 3, 4, 6
2x4	F28	2, 3, 4, 6
2x4	F44, F54	2, 3, 4

General Notes

- Many luminaire components, such as reflectors, refractors, lenses, sockets, lampholders, and LEDs are made from various types of plastics which can be adversely affected by airborne contaminants. If sulfur based chemicals, petroleum based products, cleaning solutions, or other contaminants are expected in the intended area of use, consult factory for compatibility.

K1 Kleenseal KTR 100 recessed

Cleanroom, T8, T8HO, T5, or T5HO

Standards

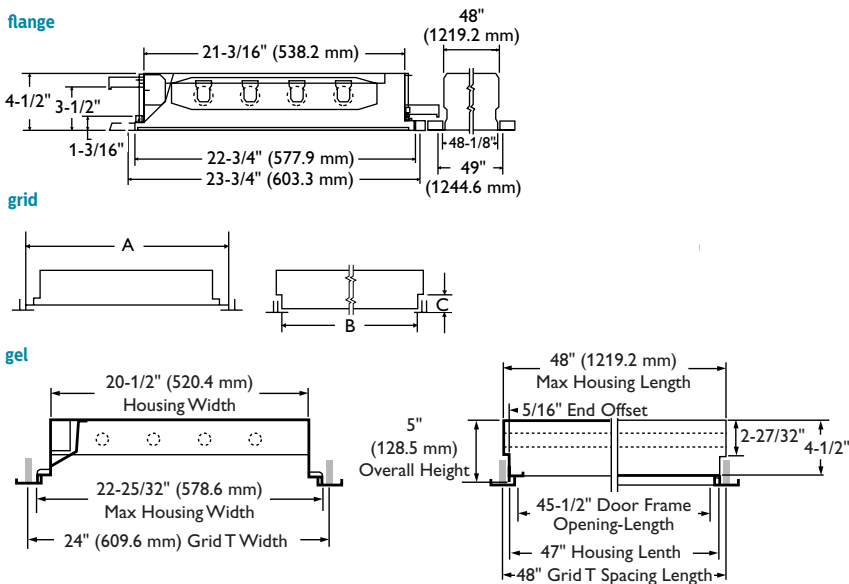
- Certified to meet UL 1598 standards for wet location.

Construction/Finish

- Sealed aluminum housing resists corrosion and is lightweight which speeds installation.
- Fits 1", 1-1/2", 2", and Tall 2" grid or flange mountings.
- Top and end 1/2" conduit K.O.s for easy thru wiring.
- Seismic support mounting is standard.
- Removable sealed wiring access plate.

- Door is secured to housing with captive stainless steel screws.
- Door frame is retained to housing when opened for safety and ease during re-lamping.
- .125" prismatic acrylic lens is silicone sealed to flush aluminum door frame.
- Class 100-100,000 cleanrooms.

Dimensions



Note: For technical information or codes and classifications, see PDFs Tech1-Tech5 online.

Ceiling Opening Flange Type

1X4	10-3/4" X 48-1/8"
2X2	22-3/4" X 24-1/8"
2X4	22-3/4" x 48-1/8"

Grid Type

	A	B	C
1" or 1-1/2" Grid	23-3/4" (603.3 mm)	47-3/4" (1212.9 mm)	1-11/16"
2" Grid	23-3/4" (603.3 mm)	47" (1194 mm)	1-11/16"



Some luminaires use fluorescent or high intensity discharge (HID) lamps that contain small amounts of mercury. Such lamps are labeled, "Contain Mercury" and/or the symbol "HG". Lamps that contain mercury must be disposed of in accordance with local requirements. Information regarding lamp recycling and disposal can be found at www.lamprecycle.org

