

Project: \_\_\_\_\_

Location: \_\_\_\_\_

Cat.No: \_\_\_\_\_

Type: \_\_\_\_\_

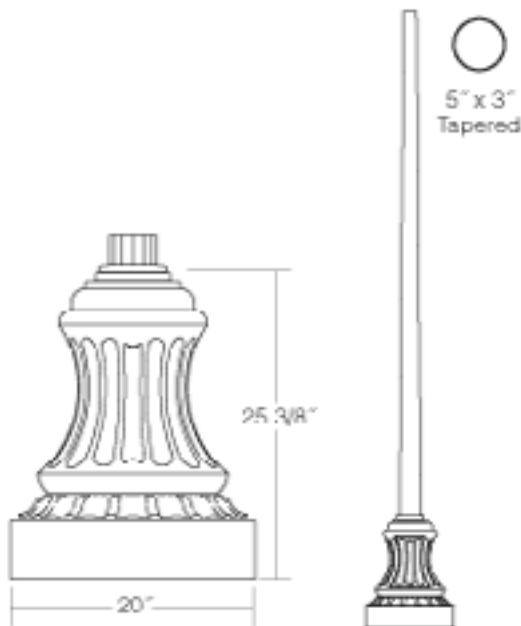
Lamps: \_\_\_\_\_ Qty: \_\_\_\_\_

Notes: \_\_\_\_\_

### Ordering Guide

Example: P2170 12 A T D

Product Code	P2170	
<b>Pole Height</b>	12	12'
	14	14'
	16	16'
	18	18'
<b>Finish</b>	A	Black
	B	White
	G	Verde
	H	Bronze
	J	Green
<b>Outlet Location (Optional)</b>	T	12" Down from Top - Aligned with House Side
	B	4" Up from Top of Base - Aligned with House Side
<b>Outlet Options (Optional)</b>	D	Standard Duplex
	G	GFI Duplex



### Specifications

**HOUSING:**

356 HM high-strength, low-copper, proprietary cast aluminum alloy . 6063-T6 Extruded aluminum . Anchor rods are hot dipped galvanized steel .

**FINISH:**

A durable polyurethane enamel finish is applied after assemblies are shot blasted to create a surface profile which allows for the highest level of paint adhesion. Laboratory tested for superior weatherability and fade resistance in accordance with ASTM B-117-64 and ANSI/ASTM G53-77 specifications. For larger projects where a custom color is required, contact the factory for more information.

**WARRANTY:**

Three-year limited warranty.

**OUTLET:**

Standard Duplex Outlet has universal metal weatherproof cover. Weatherproof while in use. Heavy-duty all-metal construction. Lockable security cover. Meets NEC 406.9 (B). Weather resistant. GFI Duplex Outlet has dual-function indicator light, universal metal weatherproof cover. Weatherproof while in use. Heavy-duty all-metal construction. Lockable security cover. Meets NEC 406.9 (B). Weather resistant.

# P2170 P2170

## Pole

### Specifications

---

**Tenon/Top:**

3" OD

**Bolt Circle:**

8" - 16"

**Anchor Rods:**

(4) 3/4" dia. x 19"

**Base Dimensions:**

20 dia. x 25 3/8"

**Hand Hole :**

11" x 16"

**Shaft:**

5" to 3" Tapered

**Wall Thickness:**

0.125 Aluminum

**Wall Thickness:**

0.188 Aluminum (14' and up)

**Height :**

12', 14', 16', 18'

### Pole EPA Values

---

Windspeed(mph)	Height			
	12'	14'	16'	18'
80	12.8100	13.1500	10.7800	9.3800
100	7.4700	7.5100	5.7900	4.9000

