

LIGHTOLIER

by  Signify

Downlighting

Adjustable Accent LED

C4LA 4" luminaires



Designed to provide fast, easy installation and maintenance

Meticulously engineered to provide consistent visual comfort, unsurpassed optical control and extraordinary mechanical precision.

Benefits

- Designed 2300lm engine yields 1500 – 1700 lumen delivered in a 30° adjustable accent position.
- Tight spot delivers 32,000 cd at 30° aiming angle.
- Provides full 366° horizontal and 40° vertical adjustment for flexibility and accuracy.
- Light Engine keeps source of brightness at a 50° cutoff when fixture is at nadir which maximizes visual comfort and eliminates the view of the source of brightness.
- Exclusive EZ-Aim gear-driven adjustment provides hot aim and locking with unprecedented speed and accuracy.
- The innovative Push-Lock system provides fast, tool-less attachment and adjusts to a range of ceiling thickness.
- Magnetic retention and tether simplify installation as well as aim and focus activities.

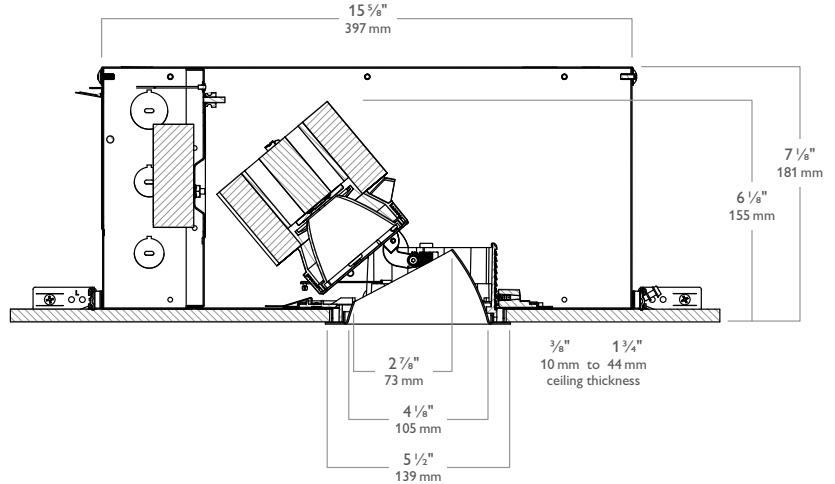


C4LA Adjustable Accent LED

4" aperture downlight



C4LA
Adjustable Accent



Features¹

- Efficacy:** up to 63.5lm/w
- Lumens:** up to 2300
- Candela:** up to 32,000
- Watts:** 27W
- CRI:** 80 & 90 (min)
- CCT:** 2700K – 4000K
- Volts:** 120 & 277V (50/60Hz)
- Dimming:** (see below)
- Lifetime:** 50,000 hrs (L70)
- Labels:** cULus damp location listed, ENERGY STAR[®] certified.
- Warranty:** 5 year

Frame Complete luminaire = Frame + Light Engine + Trim + Accessories (optional)

example: C4LA15NULD

Series	Style	Lumens	Installation	Voltage	Dimming	
C4L	Calculite 4" LED	A Adjust. Accent	15 Lumens	N New Construction	U Universal 120/277V	Z10V Non-IC with 0-10V Z10VAIC AirSeal-IC with 0-10V LD Non-IC with Lutron LDAIC AirSeal-IC with Lutron

- Rugged, durable construction ensures a lifetime of consistent, reliable performance.
- Entire optical assembly adjusts to compensate for installation variations and is aligned to the ceiling plane, not the housing.
- Unitized Optics connect to keyed components and magnetic receptacles to simplify installation as well as aim and focus activities.
- Finishing Reflector offers five finishing reflector finishes and three flanges for the best combinations of performance and aesthetics.

Light Engine

example: C4L15A35K8SP

Series	Lumens	Style	CCT	CRI	Optics ²	
C4L	Calculite 4" LED	15 Lumens	A Adjust. Accent	27K 2700K 30K 3000K 35K 3500K ² 40K 4000K ²	8 80 9 90 ²	TSP 11° Tight Spot SP 17° Spot NF 22° Narrow Flood FL 29° Flood

Trim

example: C4LACLW

Series	Style	Finish	Flange	
C4L	Calculite 4" LED	A Adjust. Accent	CL Clear CCL Comfort Clear CCD Comfort Clear Diffuse CCZ Champagne Bronze WH White (painted)	W White (painted) P Polished (anodized) FT Flangeless (flush-mount) ⁴

Accessories

- Optical Reflectors⁵**
- C4ATSP** 11° Tight Spot
- C4ASP** 17° Spot
- C4ANF** 22° Narrow Flood
- C4AFL** 29° Flood

CA4DF5
3 1/8" dia. diffusion filter for soft focus beam spreads

CA4FMRLED
4 13/16" dia. Mud-in ring for flangeless installations

1. Nominal values based on testing for C4LA15NULD (frame-in kit), with C4L15A35K8TSP, C4L15A35K8SP, C4L15A35K8NF, C4L15A35K8FL (light engines), and C4LACLW (finishing reflector). See C4LA spec sheet.
2. Configurations using 90 CRI (9) are not compatible with 3500K (35K) and 4000K (40K) CCTs.
3. Precision Optics are available as accessories that can be ordered separately.
4. Accessory CA4FMR required for gypsum applications (minimal 1/4" reflector flange).
5. Accessories are sold separately and are field replaceable (consult factory for additional compatible accessories).

See specification sheet C4LA for additional drawings and technical information.



Visit Signify.com/warranties for more information on Signify's standard 5-year limited warranty.

The information presented in this document is not intended as any commercial offer and does not form part of any quotation or contract.

