



by Signify

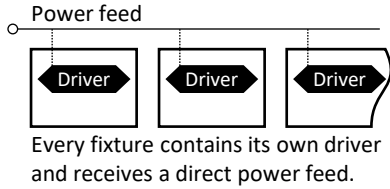
Recessed

SilkSpace

ID-42



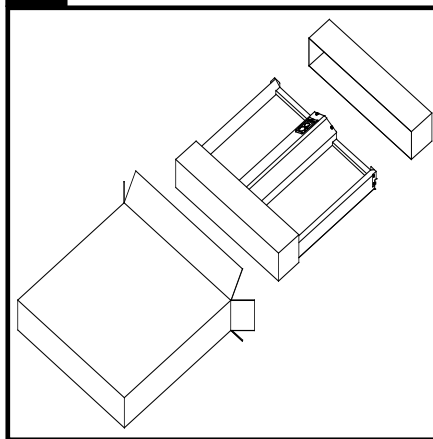
Standalone Installation Instructions



1 Prepare fixtures

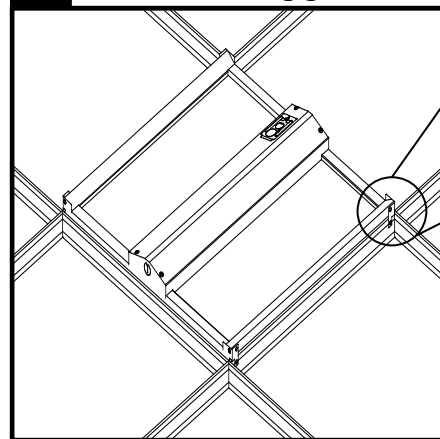
Arrange boxed fixtures on the floor in specified mounting locations; remove fixtures from boxes.

2 Remove from Packaging



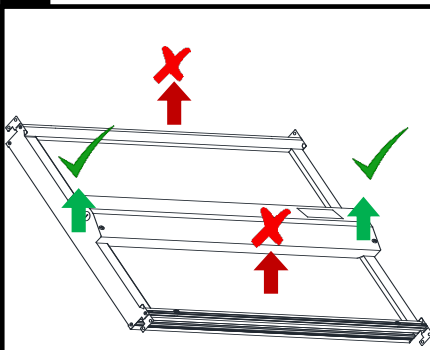
Remove luminaire from packaging, recycle box.

3 Install in ceiling grid



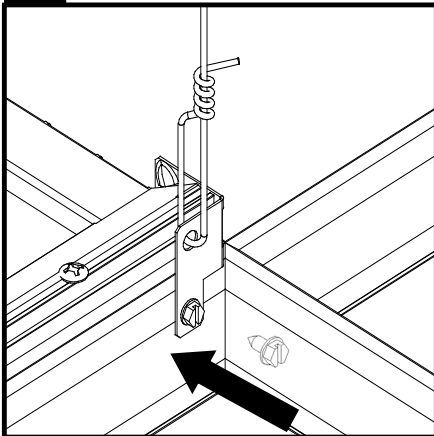
Lay luminaire into T-grid. Bend mounting tabs flush against outside of T-grid.

! Handling Note



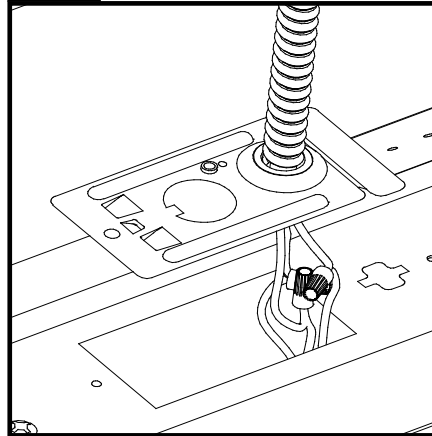
- ❖ Lift using both hands from fixture ends only.
- ❖ Do not use cross-strap to lift fixture. (2x4, 1x4)

4 Secure luminaire and Tie off to structure



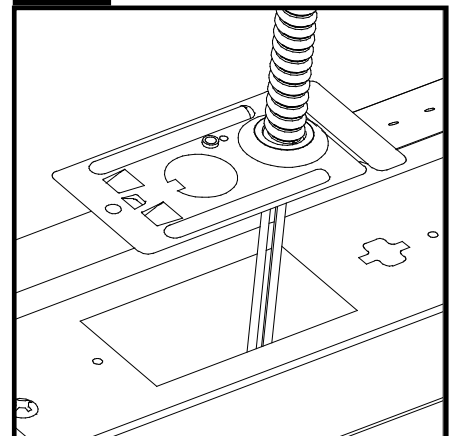
Secure luminaire to T-grid with self drilling 8x1/4" sheet metal screws (supplied by others). Secure luminaire with grid wire or suitable equivalent per local and national building codes.

5a Standalone wiring



Remove pre-installed wire access plate. Connect power feed to the leads provided. Reinstall wire access plate.

5b Flex Whip (Optional)



Optional Flex Whip is prewired to the fixture. Insert wire access plate into wiring cavity. Complete electrical connection at other end of whip in accordance with local and national building code.



by Signify

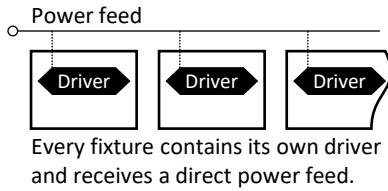
Recessed

SilkSpace

ID-42



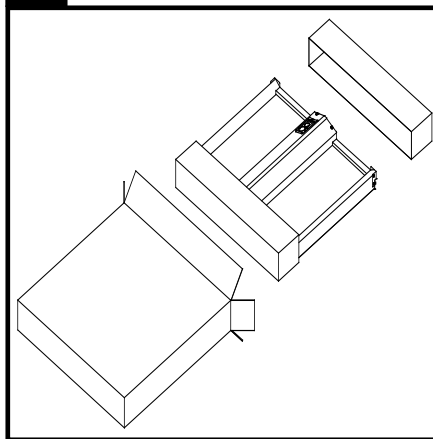
Continuous Row Installation Instructions



1 Prepare fixtures

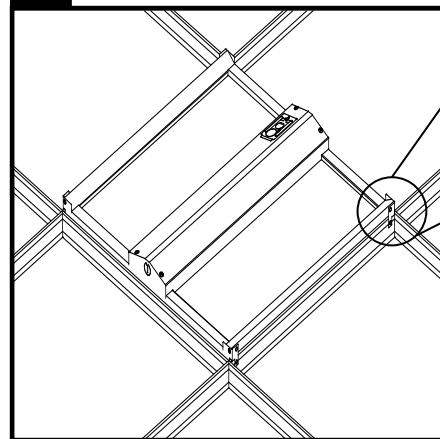
Arrange boxed fixtures on the floor in specified mounting locations; remove fixtures from boxes.

2 Remove from Packaging



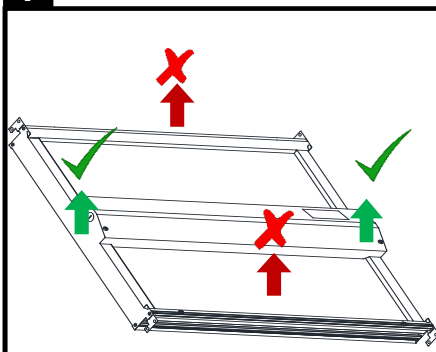
Remove luminaire from packaging, recycle box.

3 Install in ceiling grid



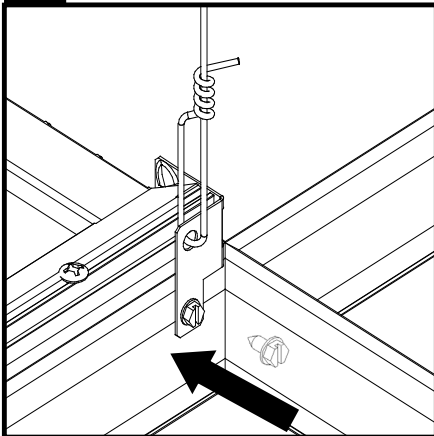
Lay luminaire into T-grid. Bend mounting tabs flush against outside of T-grid.

! Handling Note



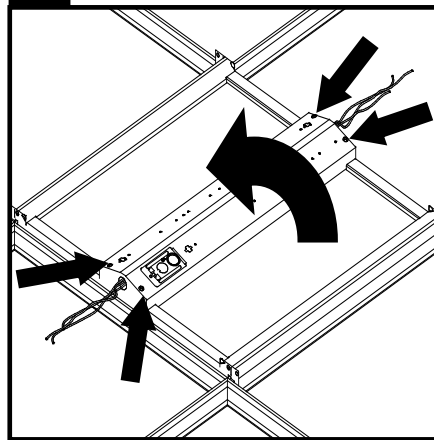
- ❖ Lift using both hands from fixture ends only.
- ❖ Do not use cross-strap to lift fixture. (2x4, 1x4)

4 Secure luminaire and Tie off to structure



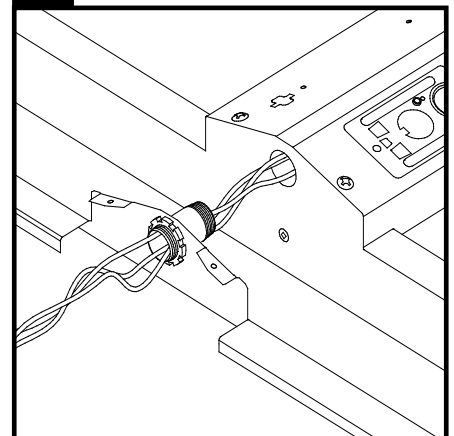
Secure luminaire to T-grid with self drilling 8x1/4" sheet metal screws (supplied by others). Secure luminaire with grid wire or suitable equivalent per local and national building codes.

5 Remove driver top cover



Remove pre-installed wire access plate. Connect power feed to the leads provided. Reinstall wire access plate.

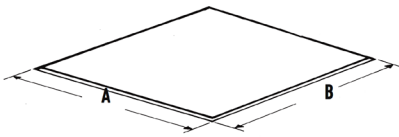
6 Attach adjacent fixtures



Optional Flex Whip is prewired to the fixture. Insert wire access plate into wiring cavity. Complete electrical connection at other end of whip in accordance with local and national building code.

Mounting in a drywall ceiling

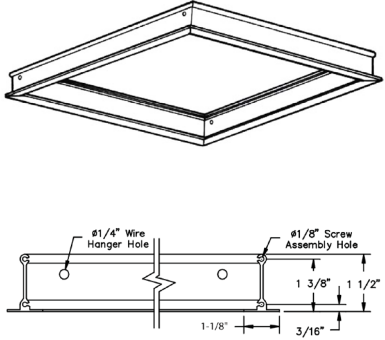
6 Drywall ceiling cut out



Fixtures size	A	B
2'x2'	24 3/8" (626mm)	24 3/8" (626mm)
2'x4'	24 3/8" (626mm)	48 3/8" (1235mm)
1'x4'	12 3/8" (321mm)	48 3/8" (1235mm)

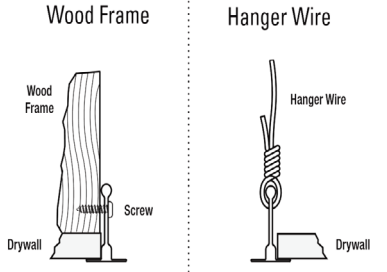
Cut a hole in the drywall with according to the dimensions in the table above.

7 Installing mounting frame



Insert mounting frame into hole and secure as shown in step 9.

8 Mounting options



Wood frame and screws supplied by others.

Hanger wires supplied by others.

Secure mounting frame by screwing to wood frame or attaching hangar wires.

! **ATTENTION: Install in accordance with local and national building and electric codes.**

