

Day-Brite

CFI

by  Signify

Recessed

TG8 troffer 2x4

T5, T5HO, T8



Project: _____

Location: _____

Cat.No: _____

Type: _____

Lamps: _____ Qty: _____

Notes: _____

Day-Brite / CFI TG8 troffer is a quality low-profile recessed luminaire with specification features. It is designed around modern lamps and electronic ballasts.

Ordering guide

Example: 2TG8232-01-UNV-1/2-EBLHE-LPT835HL

Width	Family	Ceiling Type	Housing	No. of Lamps (not included)	Lamp Type	Door Frame	Lens	Door Finish	Voltage	Options
2	T		8		—			—	—	
2 2'	T TG8 troffer	G Grid F Flange	8 Low profile housing	2 3 4	28 28WT5 (46") 32 32WT8 (48") 54HO 54W T5HO (46")	BLANK Flat Steel FA Flat Aluminum RA Regressed Aluminum	01 Pattern 12 prismatic acrylic 12 K12, .125" nominal 19 K19, .156" nominal 21 Pattern 12, .125" nominal 30 1/2"x1/2"x1/2" silver louver, polystyrene 34 1-1/2"x1-1/2"x1" silver louver, polystyrene 52 3/4"x3/4"x1/2" silver louver, polystyrene PL3 ALP Para-lite3 high efficiency 3/4"x3/4"x1/2" silver louver, polystyrene	BLANK White B Black Door	120 277 347 UNV Universal Voltage 120-277V	1/2 One 2-lamp ballast 1/3 One 3-lamp ballast 1/21 2-lamp & 1-lamp ballasts 1/4 One 4-lamp ballast 2/2 Two 2-lamp ballasts EB Electronic ballast, <10% THD, std. ballast factor EB10R T8 electronic ballast, program rapid start, <10% THD EBHE T8 electronic ballast, high efficiency, std. ballast factor EBLHE T8 electronic ballast, high efficiency, low ballast factor EBHHE T8 electronic ballast, high efficiency, high ballast factor EBD Electronic dimming ballast, customer specified EBSD T8 electronic step dimming ballast, .88 ballast factor EBD7 Advance Mark 7 dimming ballast, 0-10V (low voltage) control EBDX Advance Mark 10 dimming ballast, phase control E1 B100 emerg. ballast, T8, 350-450 lumens, 120/277V E1CAN B100-CAN emerg. ballast, Canada market, T8, 350-450 lumens, 120/347V E7 B60 emerg. ballast, T8, 600-700 lumens, 120/277V E5 B50 emerg. ballast, U.S. or Canada market, T8, 1100-1400 lumens, UNV E5CAN B50-CAN emerg. ballast, Canada market, T8, 1100-1400 lumens, 120/347V E5ST B50ST emerg. ballast w/self test, T8, 1100-1400 lumens, UNV E7LP LP550 emerg. ballast T5/T5HO, 430-700 lumens, 120/277V E6LP LP600 emerg. ballast U.S. or Canada market, T5/T5HO, 750-1325 lumens, 120/277V F1 3/8" flex 3 wire, 18 gauge 6' F2 3/8" flex 4 wire, 18 gauge 6' F2/5W 3/8" single flex, 5 wire 18 gauge 6' for dimmable luminaires GLR Fusing, fast blow

Accessories

- FMA24 2'x4' "F" mounting frame for NEMA "F" mounting
- FKTG824 Flange conversion kit, 2x4 TG8



2TG8 TG8 troffer 2x4

T5, T5HO, T8

Construction/finish

- A quality low-profile troffer with specification features for NEMA "G" grid, NEMA "NFG" narrow face grid, NEMA "GR" grid regressed, NEMA "NMSG" narrow faced slot grid, or NEMA "F" flange ceiling types.
- 3" nominal housing depth, 3-3/16" maximum depth.
- Smooth rolled edges on all four sides for easy handling.
- Die-formed one piece housing includes stiffening embosses and provides increased rigidity.
- Housing is multi-stage phosphate treated for maximum corrosion resistance and finish coat is high reflectance baked white enamel.
- Lamp pin openings in housing ends for easier relamping (can be relamped without using openings).
- Integral baffling system to prevent light leaks.
- 2 sets of integral grid clips (wraparound and fold out) for maximum mounting flexibility.
- Integral wire hanger holes for independent wire suspension.
- Embosses with holes provided in housing end for screwing to T-bar if desired.
- On T8 models, a single lamp can be changed without disturbing other lamps or wireway cover.
- 7/8" K.O.'s provided in each end cap for through wiring.
- Factory installed access plate in housing top includes 7/8" hole with rolled edge and 7/8" K.O.
- Carton includes integral carrying handle for easy handling.

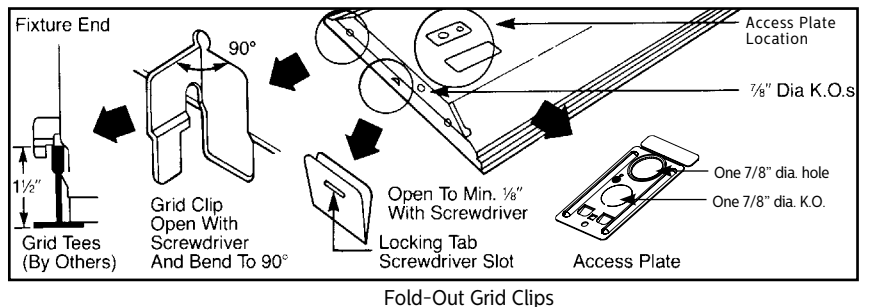
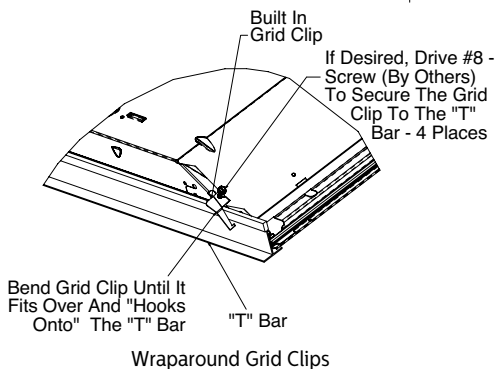
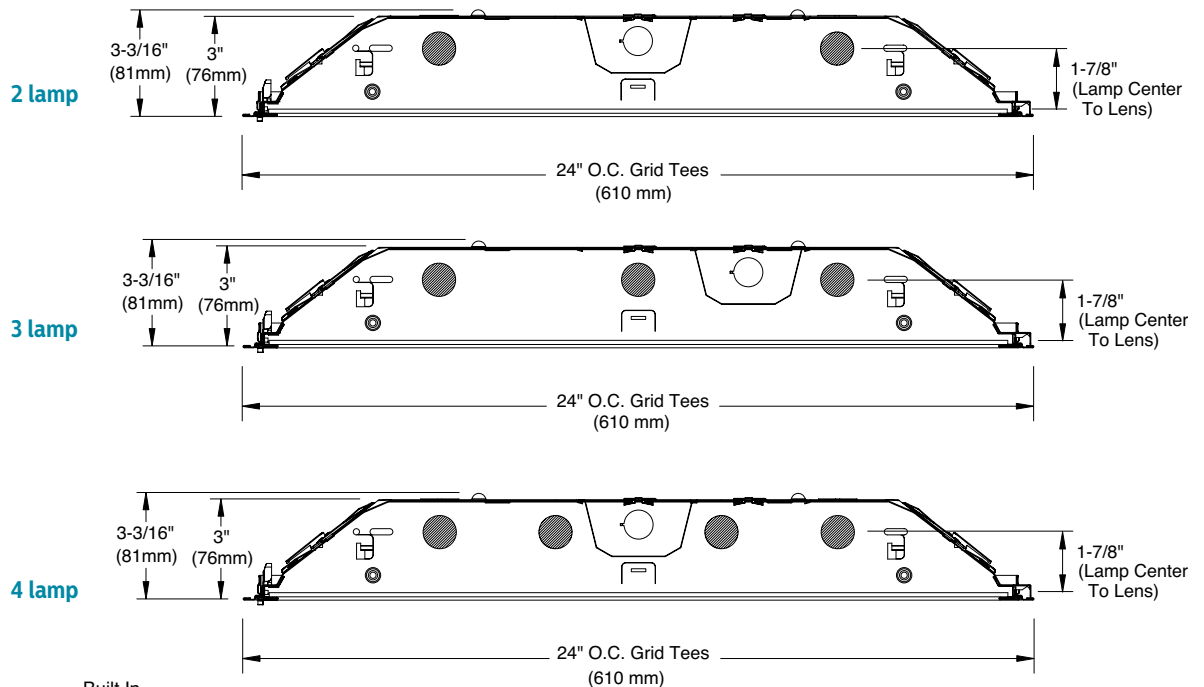
Electrical

- cULus listed for damp locations.
- Self-contained fluorescent emergency power packs can be incorporated, listed for dry locations.
- Rotating ring locking lampholder is standard for secure and positive retention of lamps.

Enclosure

- Full "C" channel door frames for improved lens support and reduced shipping damage.
- Flat steel door frame features smooth rolled edges inside and outside.
- All door frames have mitered corners.
- All door frames use T-hinges and can be hinged and latched from either side.
- Opposable spring loaded latches are standard for easy operation and consistent retention.

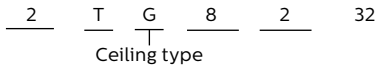
Dimensions



2TG8 TG8 troffer 2x4

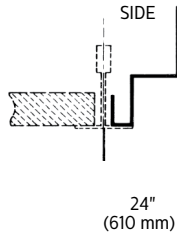
T5, T5HO, T8

Ceiling Configuration

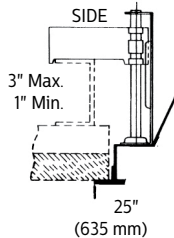


G = Grid (NEMA G)

F = Flange (NEMA F)



(NEMA Type G)
Lay-in acoustical ceilings using exposed grid suspension, with tees for fixtures on 24" x 48" spacing.



(NEMA Type F)
Flange for acoustical ceilings using concealed mechanical suspension. Swing-jack mounting brackets: adjustment 3" max. and 1" min. Refer to sheet 801-CL for cut-out information.

Photometry

TG8 troffer 2x4 2 Lamp T8

Efficiency – 87.1%

LER – 74

TER – 65

Catalog No.	2TG8232-01-1/2-EB	Candlepower				Light Distribution				Average Luminance			
		Angle	End	45	Cross	Degrees	Lumens	% Lamp	% Luminaire	Angle	End	45'	Cross
Test No.	22916	0	1838	1838	1838	0-30	1470	25.8	29.6	45	2521	2823	3116
S/MH	1.4	5	1841	1835	1827	0-40	2433	42.7	49.0	55	2090	2439	2604
Lamp Type	F32T8	10	1815	1821	1823	0-60	4147	72.8	83.5	65	1633	1690	1952
Lumens/Lamp	2850	15	1774	1796	1818	0-90	4966	87.1	100.0	75	1612	1246	1556
Ballast Factor	.88	20	1715	1761	1802					85	1878	1731	1731
Input Watts	59	25	1631	1711	1778	Coefficients of Utilization							
Comparative yearly lighting energy cost per 1000 lumens – \$3.24 based on 3000 hrs. and \$.08 pwr KWH.	The photometric results were obtained in the Day-Brite laboratory which is NVLAP accredited by the National Institute of Standards and Technology.	30	1530	1643	1737	EFFECTIVE FLOOR CAVITY REFLECTANCE 20 PER (pfc=0.20)							
		35	1411	1550	1667	pcc							
		40	1271	1416	1551	pw							
		45	1111	1244	1373	RCR							
		50	931	1065	1154	0							
		55	747	872	931	1							
		60	572	653	709	2							
		65	430	445	514	3							
		70	329	289	361	4							
		75	260	201	251	5							
80	193	156	176	6									
85	102	94	94	7									
				8									
				9									
				10									

TG8 troffer 2x4 3 Lamp T8

Efficiency – 84.8%

LER – 76

TER – 67

Catalog No.	2TG8332-01-1/3-EB	Candlepower				Light Distribution				Average Luminance			
		Angle	End	45	Cross	Degrees	Lumens	% Lamp	% Luminaire	Angle	End	45'	Cross
Test No.	22921	0	2708	2708	2708	0-30	2163	25.3	29.8	45	3699	4125	4504
S/MH	1.4	5	2709	2703	2694	0-40	3573	41.8	49.2	55	3058	3533	3746
Lamp Type	F32T8	10	2673	2681	2688	0-60	6064	70.9	83.6	65	2407	2441	2813
Lumens/Lamp	2850	15	2618	2645	2677	0-90	7253	84.8	100.0	75	2337	1804	2244
Ballast Factor	.88	20	2526	2593	2657					85	2669	2449	2743
Input Watts	84	25	2402	2518	2616	Coefficients of Utilization							
Comparative yearly lighting energy cost per 1000 lumens – \$3.16 based on 3000 hrs. and \$.08 pwr KWH.	The photometric results were obtained in the Day-Brite laboratory which is NVLAP accredited by the National Institute of Standards and Technology.	30	2253	2413	2544	EFFECTIVE FLOOR CAVITY REFLECTANCE 20 PER (pfc=0.20)							
		35	2078	2269	2429	pcc							
		40	1867	2069	2247	pw							
		45	1630	1818	1985	RCR							
		50	1365	1545	1663	0							
		55	1093	1263	1339	1							
		60	841	943	1019	2							
		65	634	643	741	3							
		70	481	419	518	4							
		75	377	291	362	5							
80	279	225	257	6									
85	145	133	149	7									
				8									
				9									
				10									

2TG8 TG8 troffer 2x4

T5, T5HO, T8

TG8 troffer 2x4 4 Lamp T8

Efficiency – 82.9%

LER – 74

TER – 65

Catalog No.	2TG8432-01-1/4-EB
Test No.	22910
S/MH	1.4
Lamp Type	F32T8
Lumens/Lamp	2850
Ballast Factor	.88
Input Watts	112

Comparative yearly lighting energy cost per 1000 lumens – **\$3.24** based on 3000 hrs. and \$.08 pwr KWH.

The photometric results were obtained in the Day-Brite laboratory which is NVLAP accredited by the National Institute of Standards and Technology.

Candlepower

Angle	End	45	Cross
0	3551	3551	3551
5	3559	3546	3527
10	3514	3517	3519
15	3433	3475	3505
20	3316	3404	3473
25	3158	3299	3410
30	2964	3160	3312
35	2735	2963	3154
40	2461	2695	2904
45	2140	2364	2568
50	1781	2011	2137
55	1426	1630	1718
60	1097	1223	1304
65	819	835	945
70	619	539	672
75	487	371	472
80	368	287	335
85	204	178	190

Light Distribution

Degrees	Lumens	% Lamp	% Luminaire
0-30	2834	24.9	30.0
0-40	4675	41.0	49.4
0-60	7911	69.4	83.7
0-90	9455	82.9	100.0

Average Luminance

Angle	End	45	Cross
45	3804	4041	4319
55	2985	3205	3367
65	2248	2165	2331
75	1955	1603	2214
85	2503	2156	2850

Coefficients of Utilization

EFFECTIVE FLOOR CAVITY REFLECTANCE 20 PER (pfc=0.20)

pcc	80			70			50			
	pw	70	50	30	70	50	30	50	30	
RCR										
0	98	98	98		95	95	95		92	92
1	91	86	83		88	84	81		81	79
2	82	76	70		81	75	69		71	68
3	76	68	60		73	66	59		64	58
4	69	59	53		68	58	53		56	51
5	64	54	46		63	53	46		51	45
6	59	48	41		57	47	40		46	40
7	55	44	36		54	44	36		41	35
8	51	40	34		50	40	33		39	33
9	47	36	30		46	36	29		35	29
10	45	34	28		44	34	28		33	27



Some luminaires use fluorescent or high intensity discharge (HID) lamps that contain small amounts of mercury. Such lamps are labeled, "Contain Mercury" and/or the symbol "HG". Lamps that contain mercury must be disposed of in accordance with local requirements. Information regarding lamp recycling and disposal can be found at www.lamprecycle.org

