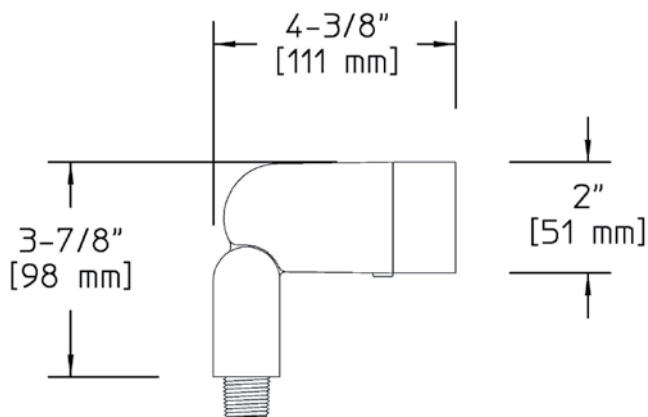


Project: _____
 Location: _____
 Cat.No: _____
 Type: _____
 Lamps: _____ Qty: _____
 Notes: _____



Ordering Guide

Example: BL711 A S7 LED2W

Product Code	BL711	LED Aluminum Mini-Accent
Finish	A H	Black Bronze
Mounting	S7	Mounting Stake
LED	LED2W	LED Lamp

Specifications

HOUSING:

Die-cast aluminum. Double gasketed shroud, die-cast aluminum. Fully-adjustable swivel arm with vibration-proof locking teeth. 1/2" NPS male threads to screw onto accessory mounting stake or junction box, sold separately. Fasteners are 300 series stainless steel.

FINISH:

Thermoset polyester powdercoat is electrostatically applied after a five-stage conversion cleaning process and bonded by heat fusion thermosetting. Laboratory tested for superior weatherability and fade resistance in accordance with ASTM B117 specifications.

OPTICAL ASSEMBLY:

Clear tempered glass lens.

LAMPING:

Lamp is included with fixture. Philips 12V LED 1.2W Capsule lamp. Up to 88% energy savins when compared to a 10W Capsule halogen lamp. Long lifetime of 15,000 hours (B50,L70). Operating temperature range is between -20C and 35C (ambient). Suitable for use in enclosed luminaires where the case temperature (Tc) remains below Tc MAX. Total Lumens = 105lm Lower wattage lamps are acceptable.

ELECTRICAL ASSEMBLY:

Bi-pin socket type (G4) with 250° C high temperature teflon coated wire leads. 12 Volt fixture is pre-wired with 3-ft pigtail of 18-2 AWG, 105° C, SPT-1W wire. Low voltage quick connector, catalog #LVC3 included for easy hook-up to the low voltage supply cable, not included. 12 Volt system requires remote transformer, not included.

WARRANTY:

Five-year limited warranty.

CERTIFICATIONS:

ETL listed to U.S. safety standards for wet locations. cETL listed to Canadian safety standards for wet locations. Manufactured to ISO 9001:2008 Standards.

Width:

2" (51mm)

Depth:

4 3/8" (111mm)

Max. Weight:

0.85 lb

