

Project: _____

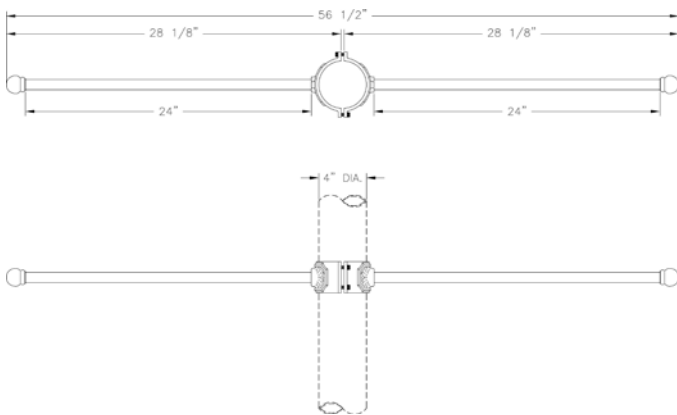
Location: _____

Cat.No: _____

Type: _____

Lamps: _____ Qty: _____

Notes: _____



Ordering Guide

Example: 39DBL-4 ABS 18

| Product Code | 39DBL-4 | Banner Arms |
|---------------|------------------|----------------|
| Finish | ABS | Antique Brass |
| | ACP | Antique Copper |
| | ARD | Antique Red |
| | ASI | Antique Silver |
| | BLK | Black |
| | BRN | Brown |
| | BRZ | Bronze |
| | FGN | Forest Green |
| | GRA | Granite |
| | IRN | Ironstone |
| | RBZ | Rustic Bronze |
| | SRT | Shadow Rust |
| | VBZ | Verde Bronze |
| | VCP | Verde Copper |
| VGN | Verde | |
| VTC | Vintage Copper | |
| WBZ | Weathered Bronze | |
| WHT | White | |
| Length | 18 | 18" |
| | 24 | 24" |
| | 30 | 30" |
| | 36 | 36" |

Specifications

CONSTRUCTION:

Two cast aluminum brackets. Turned aluminum knobs. 24 1/2" long 7/8" dia. heavy wall pipes threaded and welded to cast aluminum brackets. 4" dia. post order separately.

FINISH:

Resilient TGIC thermoset polyester powdercoat paint is electrostatically applied to every fixture. Specially formulated for Philips Outdoor Lighting, it provides UV protection, and the highest temperature rating in the industry. In addition to the standard color choices shown, a spectrum of custom colors is available.

Height:

2 5/8"

Width:

56 1/2"

