

IS-LLR ALCYON LED HORIZONTAL TRACK LIGHTING REFLECTOR AND ACCESSORY HOLDER

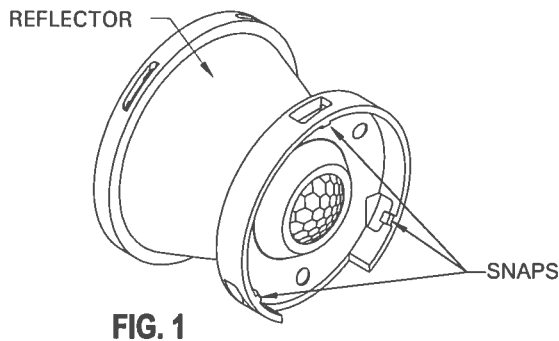


FIG. 1

FOR COMPATIBILITY WITH LLAH11 SERIES FIXTURE INSTRUCTIONS FOR INSTALLING REFLECTOR (FIG. 1, 2, & 3)

1. Orient the REFLECTOR as shown in (FIG. 2), so that the SNAP features are aligned with the slots located on the HOLDER.
2. Push and rotate REFLECTOR into the HOLDER until SNAP FEATURES are secure within the designated slots. (FIG. 2)
3. Replace FRONT HOUSING by aligning bayonet tabs with the open slots on the HEAT SINK, pushing it firmly into the HEAT SINK and twisting it clockwise until the spring clips are fully engaged. (FIG. 3)

Note: Ensure both clips are fully engaged and that there is no interference with the two spring clips located on the front face of the heat sink. If there is interference loosen the clips and orient them correctly, so that they may catch the front housing upon assembly.

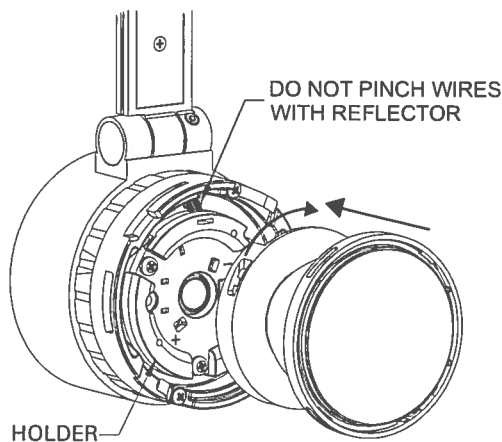


FIG. 2

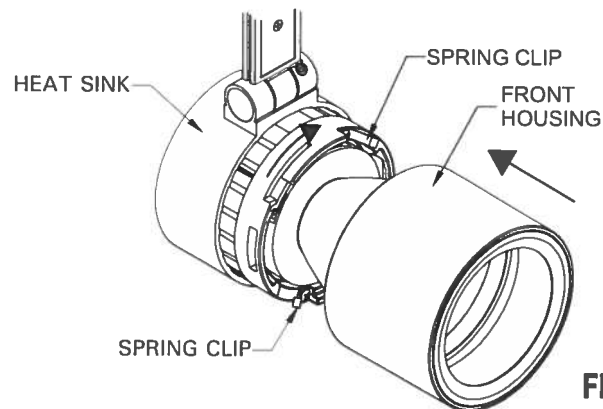


FIG. 3

INSTRUCTIONS FOR INSTALLING OPTIONAL ACCESSORIES (FIG. 4 & 5).

1. Remove FRONT HOUSING by twisting counterclockwise to unlock from HEAT SINK. (FIG. 4)
2. Place accessories into the FRONT HOUSING through the back as shown in (FIG. 5).
3. Replace FRONT HOUSING by aligning bayonet tabs with the open slots on the HEAT SINK, pushing it firmly into the HEAT SINK and twisting it clockwise until the spring clips are fully engaged.
4. Accessories will be secured between the REFLECTOR HOLDER and the ACCESSORY HOLDER, which will be pushed upwards, and with accessories installed, may remain above the top edge of the FRONT HOUSING when fully assembled.

Note: Luminaire accepts one accessory and a snoot, max. The use of two glass lenses and a snoot or one louver, one glass lens and a snoot requires the use of a double accessory holder (Sold Separately).

5. If double accessory holder is required, remove the single accessory holder by loosening the three engaged snap clips and discard. Push the double accessory holder straight into the FRONT HOUSING until holder is fully secure.

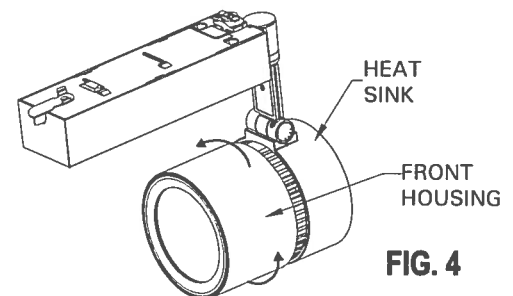


FIG. 4

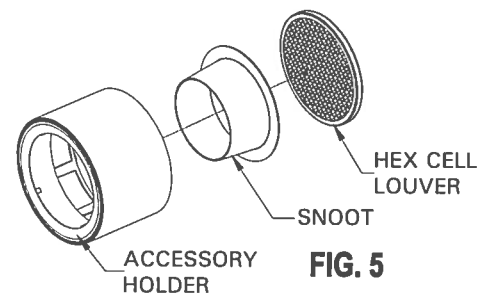


FIG. 5



IS-LLR ALCYON LED HORIZONTAL TRACK LIGHTING REFLECTOR AND ACCESSORY HOLDER

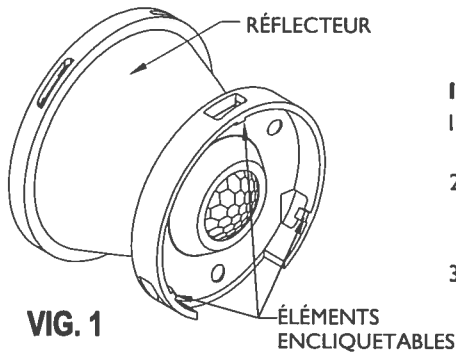


FIG. 1

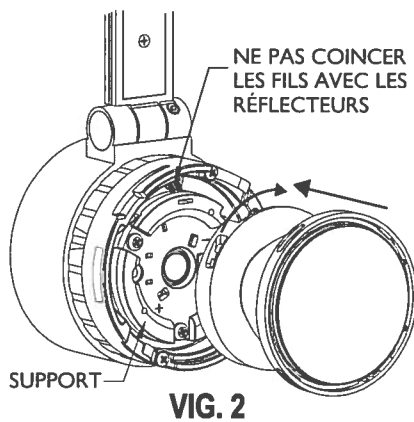


FIG. 2

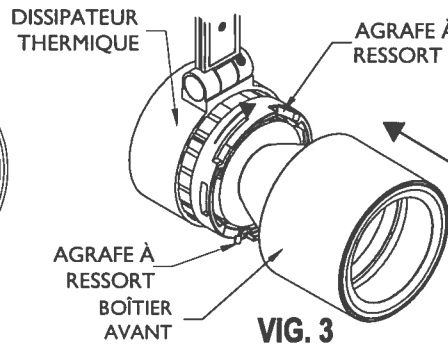


FIG. 3

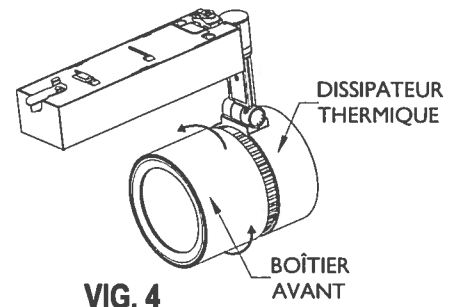


FIG. 4

INSTRUCTIONS POUR L'INSTALLATION ACCESSOIRES EN OPTION (FIG. 4 & 5).

1. Retirer le BOÎTIER AVANT en tournant dans le sens antihoraire pour déverrouiller de la DISSIPATEUR THERMIQUE. (Fig. 4)
2. Placer les accessoires dans le BOÎTIER AVANT à travers l'arrière comme indiqué dans (FIG. 5).
3. Remplacer le BOÎTIER AVANT en alignant les onglets de baïonnette avec les fentes ouvertes sur le feu DISSIPATEUR THERMIQUE, le poussant fermement dans le DISSIPATEUR THERMIQUE et en le tournant dans le sens horaire jusqu'à ce que les AGRAFE À RESSORTS sont pleinement engagés.

4. Accessoires seront sécurisées entre le SUPPORT DE RÉFLECTEUR et le PORTE-ACCESSOIRE, qui sera poussé vers le haut, et avec des accessoires installés, peut rester dessus du bord supérieur du BOÎTIER AVANT une fois assemblé.

NOTE: Luminaire accepte un accessoire et un COUPE-FLUX, maximum. L'utilisation de deux lentilles en verre et un COUPE-FLUX ou un PARALUME À CELLULES HEXAGONALES, une lentille de verre et un COUPE-FLUX nécessite l'utilisation d'un DOUBLE PORTE-ACCESSOIRE (vendu séparément).

5. Si un DEUX PORTE-ACCESSOIRE est nécessaire, retirer le PORTE-ACCESSOIRE unique en desserrant les trois clips à ressort engagés et le jeter. Poussez le DEUX PORTE-ACCESSOIRE directement dans le BOÎTIER AVANT jusqu'à ce support est entièrement sécurisé.

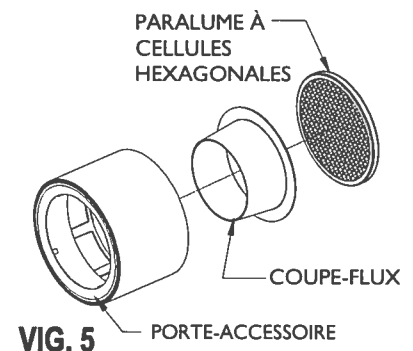


FIG. 5



© 2015 Koninklijke Philips N.V. (Royal Philips) All rights reserved.
Specifications are subject to change without notice.
www.philips.com/luminaire

IS-LLR 951470 May-15 page 2 of 2

Philips Lighting Company
200 Franklin Square Drive,
Somerset, NJ 08873
Phone: 855-486-2216

Philips Lighting Company
282 Hillmount Road
Markham ON, Canada L6C 2S3
Phone: 800-668-9008