

Day-Brite CFI

by 

Industrial

High bay G10L LED

8000, 12000, 16000, 20000,
or 24000 lumens



Project: _____
 Location: _____
 Cat.No: _____
 Type: _____
 Lamps: _____ Qty: _____
 Notes: _____

Day-Brite / CFI LED high bay G10L is a high efficiency, 10" wide luminaire that provides exceptional light distribution for general areas. Designed with low cost of ownership in mind, the G10L is an economical full body fixture that takes advantage of high efficiency, long life LED technology. The hinged LED tray pivots down with a quick release, allowing for immediate access to all internal fixture components. This unique design adds the benefit of quicker, easier fixture maintenance.

Ordering guide

Example: G10L4FT16LUV850

Family ¹	Diffuser	Length	Lumens ²	Voltage	CRI/CCT	Hanging	Options
G10L Postpainted Body	blank none WD⁴ White Diffuser	4FT 4'	08L 8,000 12L 12,000 16L 16,000 20L 20,000 24L 24,000	UV 120-277V	835 80 CRI, 3500K 840 80 CRI, 4000K 850 80 CRI, 5000K	blank V-Chain Hangers JB Slide-On Junction Box PS Pendant Stabilizer QC Quick Hang Cable (10') QC() Quick Hang Cable (Specify Length) SPSH 12" Stem/PS/Hook SPST 12" Stem/PS/Toggle	C6 6' Single Circuit Cord CS3 6' Cord and Plug for DEMO Kits C() Single Circuit Cord (Specify Length) TL6(L5-15P) 6' Cord with Twist Lock Plug (120V) TL6(L7-15P) 6' Cord with Twist Lock Plug (277V) BSL310 10W Emergency Pack BSL20 20W Emergency Pack F Inline Fuse SC 10' Safety Cable WG Wire Guard (Unpainted) WWG White Wire Guard OS Occupancy Sensor (On/Off) OS(480V) 480V Occupancy Sensor (On/Off) OS(DIM) Occupancy Sensor (On/Off/Dim/Photocell) OS(LSXRHVOLT) 347V/480V Occupancy Sensor (On/Off/Dim/Photocell) OS(FSP,DIM) Programmable Occupancy Sensor (On/Off/Dim/Photocell) ³ SDT(480V) 480V-277V Step Down Transformer SDT(347V) 347V-277V Step Down Transformer (OSB) Owner Supplied Back Box

Footnotes

- Some G10L(P) luminaires are DesignLights Consortium® qualified. Please see the DLC 4.0 QPL list for exact catalog numbers. (www.designlights.org/QPL)
- Nominal delivered lumens.
- Initial sensor setup and subsequent adjustments are made using FSIR-100 handheld configuration tool, sold separately. Lens field installable.
- WD/CL versions only available up to 16L package. Consult factory for 20/24L availability.

General Notes

- Many luminaire components, such as reflectors, refractors, lenses, sockets, lampholders, and LEDs are made from various types of plastics which can be adversely affected by airborne contaminants. If sulfur based chemicals, petroleum based products, cleaning solutions, or other contaminants are expected in the intended area of use, consult factory for compatibility.

Accessories (order separately)

- FSIR-100** – Handheld remote configuration tool for FSP-211



G10L LED high bay

8000, 12000, 16000, 20000, 24000 lumens

Applications

- General Areas
- Open construction retail
- Gymnasiums (with Wire Guard)
- Warehouse
- Manufacturing

Features

- 0-10V dimming drivers standard on all models
- Hinged LED tray pivots down for easy access to internal fixture components.
- Future proof design: LED light engines and drivers are field replaceable and can be upgraded when newer, more efficient technology becomes available.

Mounting Methods

- G10L fixtures offer flexible mounting methods that most commonly include: standard V-chain hangers and Y-style quick hang cable kit. There are several other mounting options available that can be seen in the ordering guide.

Product Construction

- The G10L fixture body is brake formed from heavy gauge cold rolled steel. Ends are permanently riveted together for strength and rigidity. The LED assembly is precision brake formed from aluminum. This one piece heat conducting assembly, along with the fixture's arc bottom, provide an exceptional means of heat dissipation, allowing for higher lumen output and increased LED system life. The housing and LED tray are painted with a highly durable, highly reflective, white powder-coat finish.

Predicted L70 Lifetime

- 60,000hrs @ 40°C Ambient (based on LM-80 and TM-21 data) for 24L package.*

* Lower lumen packages and different operating temperatures may have higher L70. consult factory for data

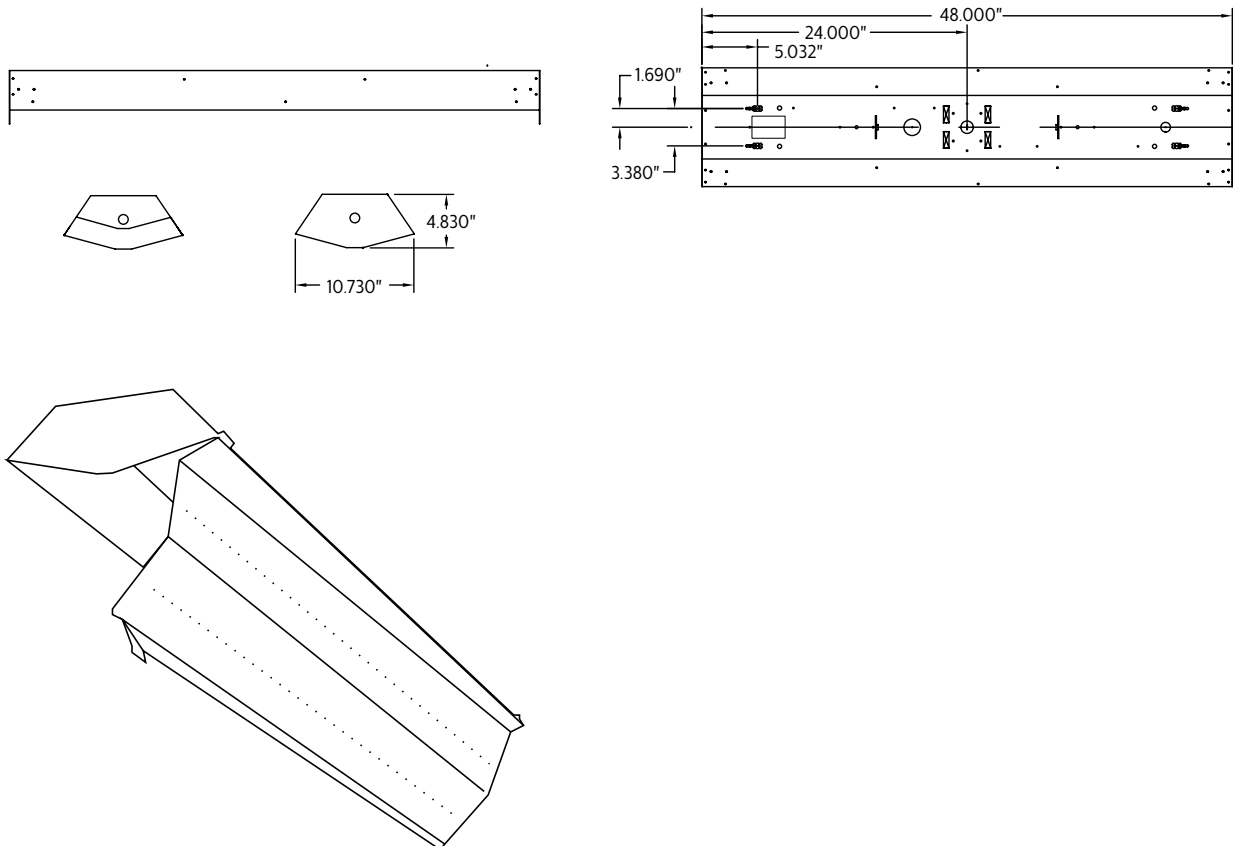
Listings

- cETLus listed to UL standards, suitable for damp locations and 40°C ambient.
- Some G10L(P) luminaires are DesignLights Consortium® qualified. Please see the DLC 4.0 QPL list for exact catalog numbers. (www.designlights.org/QPL)

Warranty

- 5-year limited system warranty. See www.philips.com/optimum for warranty details.

Dimensions



G10L LED high bay

8000, 12000, 16000, 20000, 24000 lumens

Performance Data*

Catalog No.	Lumens	Watts	Efficacy	Test No.
G10L(P)4FT08LUV840 [OS, OS(DIM), OS(FSP,DIM)]	8841	57.6	153.5	F37290
G10L(P)4FT08LUV850 [OS, OS(DIM), OS(FSP,DIM)]	8929	57.6	155.0	*
G10L(P)4FT12LUV840 [OS, OS(DIM), OS(FSP,DIM)]	13308	89	149.5	F37182
G10L(P)4FT12LUV850 [OS, OS(DIM), OS(FSP,DIM)]	13441	89	151.0	*
G10L(P)4FT16LUV840 [OS, OS(DIM), OS(FSP,DIM)]	16485	120	137.4	F37183
G10L(P)4FT16LUV850 [OS, OS(DIM), OS(FSP,DIM)]	16234	120.2	135.1	F37184
G10L(P)4FT20LUV840 [OS, OS(DIM), OS(FSP,DIM)]	19446	135.4	143.6	F37040
G10L(P)4FT20LUV850 [OS, OS(DIM), OS(FSP,DIM)]	19640	135.4	145.1	*
G10L(P)4FT24LUV840 [OS, OS(DIM), OS(FSP,DIM)]	23963	172.3	139.1	F37257
G10L(P)4FT24LUV850 [OS, OS(DIM), OS(FSP,DIM)]	24203	172.3	140.5	*
G10L(P)4FT WD 12LUV840 [OS, OS(DIM), OS(FSP,DIM)]	10235	88.9	115.1	*
G10L(P)4FT WD 12LUV850 [OS, OS(DIM), OS(FSP,DIM)]	10338	88.9	116.3	F37185
G10L(P)4FT24LUV850 [OS, OS(DIM), OS(FSP,DIM), SDT(480V), SDT(347V)]	23989	181.7	132.0	FO37355
G10L(P)4FT WD 16LUV840 [OS, OS(DIM), OS(FSP,DIM)]	12000	117.4	102.2	FO37356
G10L(P)4FT WD 16LUV850 [OS, OS(DIM), OS(FSP,DIM)]	12120	117.4	103.2	*

* Scaled data

Photometry

G10L LED high bay LED, 16000 nominal delivered lumens

LER - 139.08

Catalog No.		Candlepower					Light Distribution			Average Luminance						
Catalog No.	G10L4FT16LUV840*OS	Angle	End	45	Cross	Back-45	Degrees	Lumens	% Luminaire	Zone	End	45'	Cross			
Test No.	37183	0	5761	5761	5761	5761	0-30	4258	25.83	45	16776	16448	16264			
S/MH	1.3	5	5686	5723	5742	5723	0-40	6994	42.43	55	16574	16106	15930			
Lamp Type	LED	15	5171	5170	5173	5170	0-60	12564	76.22	65	15559	15485	15825			
Lumens	16484.9	25	4887	4837	4849	4837	0-90	16477	99.95	75	12539	15702	17859			
Input Watts	120	35	4438	4361	4344	4361	0-180	16484	100	85	5403	16902	12523			
Comparative yearly lighting energy cost per 1000 lumens – \$1.73 based on 3000 hrs. and \$.08 pwr KWH.		45	3838	3763	3721	3763	Coefficients of Utilization									
The photometric results were obtained in the Day-Brite laboratory which is NVLAP accredited by the National Institute of Standards and Technology.		55	3076	2989	2956	2989	EFFECTIVE FLOOR CAVITY REFLECTANCE 20 PER (pfc=0.20)									
Photometric values based on test performed in compliance with LM-79.		65	2127	2117	2164	2117	pfc =	20	80	70	50					
		75	1050	1315	1495	1315	Ceil	70	50	30	70	50	30			
		85	152	476	353	476	Wall	70	50	30	70	50	30			
								RCR	70	50	30	70	50	30		
								0	119	119	119	116	116	111	111	
								1	108	103	99	105	101	97	96	93
								2	98	89	82	95	87	81	84	78
								3	89	78	70	87	77	69	73	67
								4	81	69	60	79	68	59	65	58
								5	75	62	52	73	60	52	58	51
								6	69	55	46	67	54	46	53	45
								7	64	50	41	62	49	41	48	40
								8	59	46	37	58	45	37	44	36
								9	56	42	34	54	41	33	40	33
								10	52	39	31	51	38	30	37	30

G10L LED high bay LED, 24000 nominal delivered lumens

LER - 139.08

Catalog No.		Candlepower					Light Distribution			Average Luminance						
Catalog No.	G10L4FT24LUV840*OS	Angle	End	45	Cross	Back-45	Degrees	Lumens	% Luminaire	Zone	End	45'	Cross			
Test No.	37257	0	8017	8017	8017	8017	0-30	6286	26.2	45	25346	24042	23712			
S/MH	1.3	5	7916	7971	8023	7971	0-40	10397	43.4	55	23499	22790	22515			
Lamp Type	LED	15	7728	7713	7721	7713	0-60	18434	76.9	65	22197	21935	22411			
Lumens	23962.9	25	7321	7243	7233	7243	0-90	23955	100	75	17907	22181	25307			
Input Watts	172.3	35	6674	6563	6510	6563	0-180	23964	100	85	7783	22369	17684			
Comparative yearly lighting energy cost per 1000 lumens – \$1.73 based on 3000 hrs. and \$.08 pwr KWH.		45	5794	5496	5421	5496	Coefficients of Utilization									
The photometric results were obtained in the Day-Brite laboratory which is NVLAP accredited by the National Institute of Standards and Technology.		55	4358	4226	4175	4226	EFFECTIVE FLOOR CAVITY REFLECTANCE 20 PER (pfc=0.20)									
Photometric values based on test performed in compliance with LM-79.		65	3033	2997	3062	2997	pfc =	20	80	70	50					
		75	1498	1856	2118	1856	Ceil	70	50	30	70	50	30			
		85	219	630	498	630	Wall	70	50	30	70	50	30			
								RCR	70	50	30	70	50	30		
								0	118	118	118	115	115	111	111	
								1	108	103	98	105	101	96	96	93
								2	97	90	82	94	88	81	83	79
								3	89	78	69	86	77	68	73	67
								4	81	68	59	79	68	59	65	57
								5	75	61	53	72	60	52	58	51
								6	68	56	46	67	55	46	53	45
								7	64	50	41	61	50	40	47	40
								8	59	46	36	57	45	36	44	35
								9	56	41	34	54	41	34	40	33
								10	52	39	30	51	38	30	36	29

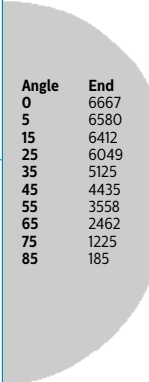
G10L LED high bay

8000, 12000, 16000, 20000, 24000 lumens

Photometry

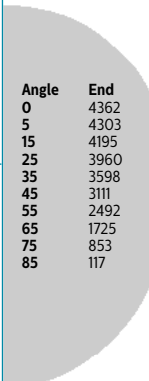
G10L LED high bay LED, 20000 nominal delivered lumens

LER - 143.62

Catalog No. G10L4FT20LUV8400S Test No. 37040 S/MH 1.2 Lamp Type LED Lumens 19445.7 Input Watts 135 Comparative yearly lighting energy cost per 1000 lumens – \$1.67 based on 3000 hrs. and 5.08 pwr KWH. The photometric results were obtained in the Day-Brite laboratory which is NVLAP accredited by the National Institute of Standards and Technology. Photometric values based on test performed in compliance with LM-79.	Candlepower  <table border="1"> <thead> <tr> <th>Angle</th> <th>End</th> <th>45</th> <th>Cross</th> <th>Back-45</th> </tr> </thead> <tbody> <tr><td>0</td><td>6667</td><td>6667</td><td>6667</td><td>6667</td></tr> <tr><td>5</td><td>6580</td><td>6631</td><td>6660</td><td>6631</td></tr> <tr><td>15</td><td>6412</td><td>6410</td><td>6405</td><td>6410</td></tr> <tr><td>25</td><td>6049</td><td>5988</td><td>5997</td><td>5988</td></tr> <tr><td>35</td><td>5125</td><td>5035</td><td>5189</td><td>5035</td></tr> <tr><td>45</td><td>4435</td><td>4347</td><td>4293</td><td>4347</td></tr> <tr><td>55</td><td>3558</td><td>3454</td><td>3426</td><td>3454</td></tr> <tr><td>65</td><td>2462</td><td>2461</td><td>2527</td><td>2461</td></tr> <tr><td>75</td><td>1225</td><td>1548</td><td>1757</td><td>1548</td></tr> <tr><td>85</td><td>185</td><td>552</td><td>490</td><td>552</td></tr> </tbody> </table>	Angle	End	45	Cross	Back-45	0	6667	6667	6667	6667	5	6580	6631	6660	6631	15	6412	6410	6405	6410	25	6049	5988	5997	5988	35	5125	5035	5189	5035	45	4435	4347	4293	4347	55	3558	3454	3426	3454	65	2462	2461	2527	2461	75	1225	1548	1757	1548	85	185	552	490	552	Light Distribution <table border="1"> <thead> <tr> <th>Degrees</th> <th>Lumens</th> <th>% Luminaire</th> </tr> </thead> <tbody> <tr><td>0-30</td><td>5204</td><td>26.8</td></tr> <tr><td>0-40</td><td>8418</td><td>43.3</td></tr> <tr><td>0-60</td><td>14863</td><td>76.4</td></tr> <tr><td>0-90</td><td>19437</td><td>100</td></tr> <tr><td>0-180</td><td>19445</td><td>100</td></tr> </tbody> </table>	Degrees	Lumens	% Luminaire	0-30	5204	26.8	0-40	8418	43.3	0-60	14863	76.4	0-90	19437	100	0-180	19445	100	Average Luminance <table border="1"> <thead> <tr> <th>Zone</th> <th>End</th> <th>45'</th> <th>Cross</th> </tr> </thead> <tbody> <tr><td>45</td><td>19399</td><td>19017</td><td>18780</td></tr> <tr><td>55</td><td>19189</td><td>18627</td><td>18474</td></tr> <tr><td>65</td><td>18018</td><td>18009</td><td>18492</td></tr> <tr><td>75</td><td>14640</td><td>18501</td><td>20994</td></tr> <tr><td>85</td><td>6562</td><td>19590</td><td>17379</td></tr> </tbody> </table>	Zone	End	45'	Cross	45	19399	19017	18780	55	19189	18627	18474	65	18018	18009	18492	75	14640	18501	20994	85	6562	19590	17379																																																																																																												
		Angle	End	45	Cross	Back-45																																																																																																																																																																																																										
0	6667	6667	6667	6667																																																																																																																																																																																																												
5	6580	6631	6660	6631																																																																																																																																																																																																												
15	6412	6410	6405	6410																																																																																																																																																																																																												
25	6049	5988	5997	5988																																																																																																																																																																																																												
35	5125	5035	5189	5035																																																																																																																																																																																																												
45	4435	4347	4293	4347																																																																																																																																																																																																												
55	3558	3454	3426	3454																																																																																																																																																																																																												
65	2462	2461	2527	2461																																																																																																																																																																																																												
75	1225	1548	1757	1548																																																																																																																																																																																																												
85	185	552	490	552																																																																																																																																																																																																												
Degrees	Lumens	% Luminaire																																																																																																																																																																																																														
0-30	5204	26.8																																																																																																																																																																																																														
0-40	8418	43.3																																																																																																																																																																																																														
0-60	14863	76.4																																																																																																																																																																																																														
0-90	19437	100																																																																																																																																																																																																														
0-180	19445	100																																																																																																																																																																																																														
Zone	End	45'	Cross																																																																																																																																																																																																													
45	19399	19017	18780																																																																																																																																																																																																													
55	19189	18627	18474																																																																																																																																																																																																													
65	18018	18009	18492																																																																																																																																																																																																													
75	14640	18501	20994																																																																																																																																																																																																													
85	6562	19590	17379																																																																																																																																																																																																													
Coefficients of Utilization <table border="1"> <thead> <tr> <th colspan="10">EFFECTIVE FLOOR CAVITY REFLECTANCE 20 PER (pfc=0.20)</th> </tr> <tr> <th>pfc =</th> <th colspan="3">20</th> <th colspan="3">50</th> <th colspan="3">70</th> <th colspan="3">80</th> </tr> <tr> <th>Ceil</th> <th colspan="3"></th> <th colspan="3"></th> <th colspan="3"></th> <th colspan="3"></th> </tr> <tr> <th>Wall</th> <th>70</th> <th>50</th> <th>30</th> <th>70</th> <th>50</th> <th>30</th> <th>70</th> <th>50</th> <th>30</th> <th>70</th> <th>50</th> <th>30</th> </tr> <tr> <th>RCR</th> <th colspan="12"></th> </tr> </thead> <tbody> <tr><td>0</td><td>118</td><td>118</td><td>118</td><td>115</td><td>115</td><td>115</td><td>111</td><td>111</td><td>111</td><td>111</td><td>111</td><td>111</td></tr> <tr><td>1</td><td>108</td><td>103</td><td>98</td><td>105</td><td>101</td><td>96</td><td>95</td><td>95</td><td>93</td><td>93</td><td>93</td><td>93</td></tr> <tr><td>2</td><td>97</td><td>89</td><td>81</td><td>94</td><td>86</td><td>81</td><td>83</td><td>83</td><td>78</td><td>78</td><td>78</td><td>78</td></tr> <tr><td>3</td><td>89</td><td>78</td><td>69</td><td>86</td><td>77</td><td>68</td><td>73</td><td>67</td><td>67</td><td>67</td><td>67</td><td>67</td></tr> <tr><td>4</td><td>81</td><td>68</td><td>59</td><td>79</td><td>68</td><td>58</td><td>65</td><td>57</td><td>57</td><td>57</td><td>57</td><td>57</td></tr> <tr><td>5</td><td>75</td><td>61</td><td>53</td><td>72</td><td>60</td><td>52</td><td>58</td><td>51</td><td>51</td><td>51</td><td>51</td><td>51</td></tr> <tr><td>6</td><td>68</td><td>56</td><td>46</td><td>67</td><td>55</td><td>46</td><td>53</td><td>45</td><td>45</td><td>45</td><td>45</td><td>45</td></tr> <tr><td>7</td><td>64</td><td>50</td><td>41</td><td>61</td><td>50</td><td>40</td><td>47</td><td>40</td><td>40</td><td>40</td><td>40</td><td>40</td></tr> <tr><td>8</td><td>59</td><td>46</td><td>36</td><td>57</td><td>45</td><td>36</td><td>44</td><td>35</td><td>35</td><td>35</td><td>35</td><td>35</td></tr> <tr><td>9</td><td>56</td><td>41</td><td>34</td><td>54</td><td>41</td><td>34</td><td>40</td><td>33</td><td>33</td><td>33</td><td>33</td><td>33</td></tr> <tr><td>10</td><td>52</td><td>39</td><td>30</td><td>51</td><td>38</td><td>30</td><td>36</td><td>29</td><td>29</td><td>29</td><td>29</td><td>29</td></tr> </tbody> </table>				EFFECTIVE FLOOR CAVITY REFLECTANCE 20 PER (pfc=0.20)										pfc =	20			50			70			80			Ceil													Wall	70	50	30	70	50	30	70	50	30	70	50	30	RCR													0	118	118	118	115	115	115	111	111	111	111	111	111	1	108	103	98	105	101	96	95	95	93	93	93	93	2	97	89	81	94	86	81	83	83	78	78	78	78	3	89	78	69	86	77	68	73	67	67	67	67	67	4	81	68	59	79	68	58	65	57	57	57	57	57	5	75	61	53	72	60	52	58	51	51	51	51	51	6	68	56	46	67	55	46	53	45	45	45	45	45	7	64	50	41	61	50	40	47	40	40	40	40	40	8	59	46	36	57	45	36	44	35	35	35	35	35	9	56	41	34	54	41	34	40	33	33	33	33	33	10	52	39	30	51	38	30	36	29	29	29	29	29
EFFECTIVE FLOOR CAVITY REFLECTANCE 20 PER (pfc=0.20)																																																																																																																																																																																																																
pfc =	20			50			70			80																																																																																																																																																																																																						
Ceil																																																																																																																																																																																																																
Wall	70	50	30	70	50	30	70	50	30	70	50	30																																																																																																																																																																																																				
RCR																																																																																																																																																																																																																
0	118	118	118	115	115	115	111	111	111	111	111	111																																																																																																																																																																																																				
1	108	103	98	105	101	96	95	95	93	93	93	93																																																																																																																																																																																																				
2	97	89	81	94	86	81	83	83	78	78	78	78																																																																																																																																																																																																				
3	89	78	69	86	77	68	73	67	67	67	67	67																																																																																																																																																																																																				
4	81	68	59	79	68	58	65	57	57	57	57	57																																																																																																																																																																																																				
5	75	61	53	72	60	52	58	51	51	51	51	51																																																																																																																																																																																																				
6	68	56	46	67	55	46	53	45	45	45	45	45																																																																																																																																																																																																				
7	64	50	41	61	50	40	47	40	40	40	40	40																																																																																																																																																																																																				
8	59	46	36	57	45	36	44	35	35	35	35	35																																																																																																																																																																																																				
9	56	41	34	54	41	34	40	33	33	33	33	33																																																																																																																																																																																																				
10	52	39	30	51	38	30	36	29	29	29	29	29																																																																																																																																																																																																				

G10L LED high bay LED, 12000 nominal delivered lumens

LER - 149.53

Catalog No. G10L4FT12LUV8400S Test No. 37182 S/MH 1.3 Lamp Type LED Lumens 13308.2 Input Watts 89 Comparative yearly lighting energy cost per 1000 lumens – \$1.60 based on 3000 hrs. and 5.08 pwr KWH. The photometric results were obtained in the Day-Brite laboratory which is NVLAP accredited by the National Institute of Standards and Technology. Photometric values based on test performed in compliance with LM-79.	Candlepower  <table border="1"> <thead> <tr> <th>Angle</th> <th>End</th> <th>45</th> <th>Cross</th> <th>Back-45</th> </tr> </thead> <tbody> <tr><td>0</td><td>4362</td><td>4362</td><td>4362</td><td>4362</td></tr> <tr><td>5</td><td>4303</td><td>4329</td><td>4355</td><td>4329</td></tr> <tr><td>15</td><td>4195</td><td>4189</td><td>4195</td><td>4189</td></tr> <tr><td>25</td><td>3960</td><td>3917</td><td>3926</td><td>3917</td></tr> <tr><td>35</td><td>3598</td><td>3533</td><td>3523</td><td>3533</td></tr> <tr><td>45</td><td>3111</td><td>3051</td><td>3019</td><td>3051</td></tr> <tr><td>55</td><td>2492</td><td>2424</td><td>2396</td><td>2424</td></tr> <tr><td>65</td><td>1725</td><td>1715</td><td>1758</td><td>1715</td></tr> <tr><td>75</td><td>853</td><td>1061</td><td>1213</td><td>1061</td></tr> <tr><td>85</td><td>117</td><td>361</td><td>277</td><td>361</td></tr> </tbody> </table>	Angle	End	45	Cross	Back-45	0	4362	4362	4362	4362	5	4303	4329	4355	4329	15	4195	4189	4195	4189	25	3960	3917	3926	3917	35	3598	3533	3523	3533	45	3111	3051	3019	3051	55	2492	2424	2396	2424	65	1725	1715	1758	1715	75	853	1061	1213	1061	85	117	361	277	361	Light Distribution <table border="1"> <thead> <tr> <th>Degrees</th> <th>Lumens</th> <th>% Luminaire</th> </tr> </thead> <tbody> <tr><td>0-30</td><td>3408</td><td>25.6</td></tr> <tr><td>0-40</td><td>5626</td><td>42.3</td></tr> <tr><td>0-60</td><td>10147</td><td>76.2</td></tr> <tr><td>0-90</td><td>13304</td><td>100</td></tr> <tr><td>0-180</td><td>13309</td><td>100</td></tr> </tbody> </table>	Degrees	Lumens	% Luminaire	0-30	3408	25.6	0-40	5626	42.3	0-60	10147	76.2	0-90	13304	100	0-180	13309	100	Average Luminance <table border="1"> <thead> <tr> <th>Zone</th> <th>End</th> <th>45'</th> <th>Cross</th> </tr> </thead> <tbody> <tr><td>45</td><td>13607</td><td>13345</td><td>13208</td></tr> <tr><td>55</td><td>13437</td><td>13073</td><td>12922</td></tr> <tr><td>65</td><td>12622</td><td>12554</td><td>12868</td></tr> <tr><td>75</td><td>10190</td><td>12677</td><td>14500</td></tr> <tr><td>85</td><td>4159</td><td>12808</td><td>9830</td></tr> </tbody> </table>	Zone	End	45'	Cross	45	13607	13345	13208	55	13437	13073	12922	65	12622	12554	12868	75	10190	12677	14500	85	4159	12808	9830																																																																																																												
		Angle	End	45	Cross	Back-45																																																																																																																																																																																																										
0	4362	4362	4362	4362																																																																																																																																																																																																												
5	4303	4329	4355	4329																																																																																																																																																																																																												
15	4195	4189	4195	4189																																																																																																																																																																																																												
25	3960	3917	3926	3917																																																																																																																																																																																																												
35	3598	3533	3523	3533																																																																																																																																																																																																												
45	3111	3051	3019	3051																																																																																																																																																																																																												
55	2492	2424	2396	2424																																																																																																																																																																																																												
65	1725	1715	1758	1715																																																																																																																																																																																																												
75	853	1061	1213	1061																																																																																																																																																																																																												
85	117	361	277	361																																																																																																																																																																																																												
Degrees	Lumens	% Luminaire																																																																																																																																																																																																														
0-30	3408	25.6																																																																																																																																																																																																														
0-40	5626	42.3																																																																																																																																																																																																														
0-60	10147	76.2																																																																																																																																																																																																														
0-90	13304	100																																																																																																																																																																																																														
0-180	13309	100																																																																																																																																																																																																														
Zone	End	45'	Cross																																																																																																																																																																																																													
45	13607	13345	13208																																																																																																																																																																																																													
55	13437	13073	12922																																																																																																																																																																																																													
65	12622	12554	12868																																																																																																																																																																																																													
75	10190	12677	14500																																																																																																																																																																																																													
85	4159	12808	9830																																																																																																																																																																																																													
Coefficients of Utilization <table border="1"> <thead> <tr> <th colspan="10">EFFECTIVE FLOOR CAVITY REFLECTANCE 20 PER (pfc=0.20)</th> </tr> <tr> <th>pfc =</th> <th colspan="3">20</th> <th colspan="3">50</th> <th colspan="3">70</th> <th colspan="3">80</th> </tr> <tr> <th>Ceil</th> <th colspan="3"></th> <th colspan="3"></th> <th colspan="3"></th> <th colspan="3"></th> </tr> <tr> <th>Wall</th> <th>70</th> <th>50</th> <th>30</th> <th>70</th> <th>50</th> <th>30</th> <th>70</th> <th>50</th> <th>30</th> <th>70</th> <th>50</th> <th>30</th> </tr> <tr> <th>RCR</th> <th colspan="12"></th> </tr> </thead> <tbody> <tr><td>0</td><td>118</td><td>118</td><td>118</td><td>115</td><td>115</td><td>115</td><td>111</td><td>111</td><td>111</td><td>111</td><td>111</td><td>111</td></tr> <tr><td>1</td><td>108</td><td>103</td><td>97</td><td>105</td><td>101</td><td>96</td><td>95</td><td>95</td><td>93</td><td>93</td><td>93</td><td>93</td></tr> <tr><td>2</td><td>97</td><td>89</td><td>81</td><td>94</td><td>86</td><td>81</td><td>83</td><td>83</td><td>78</td><td>78</td><td>78</td><td>78</td></tr> <tr><td>3</td><td>89</td><td>78</td><td>69</td><td>85</td><td>76</td><td>68</td><td>72</td><td>67</td><td>67</td><td>67</td><td>67</td><td>67</td></tr> <tr><td>4</td><td>81</td><td>68</td><td>59</td><td>79</td><td>68</td><td>58</td><td>65</td><td>57</td><td>57</td><td>57</td><td>57</td><td>57</td></tr> <tr><td>5</td><td>75</td><td>60</td><td>52</td><td>71</td><td>59</td><td>52</td><td>57</td><td>50</td><td>50</td><td>50</td><td>50</td><td>50</td></tr> <tr><td>6</td><td>68</td><td>55</td><td>46</td><td>67</td><td>54</td><td>46</td><td>52</td><td>45</td><td>45</td><td>45</td><td>45</td><td>45</td></tr> <tr><td>7</td><td>64</td><td>50</td><td>40</td><td>61</td><td>48</td><td>40</td><td>47</td><td>40</td><td>40</td><td>40</td><td>40</td><td>40</td></tr> <tr><td>8</td><td>58</td><td>46</td><td>36</td><td>57</td><td>45</td><td>36</td><td>42</td><td>35</td><td>35</td><td>35</td><td>35</td><td>35</td></tr> <tr><td>9</td><td>55</td><td>41</td><td>33</td><td>54</td><td>40</td><td>33</td><td>40</td><td>33</td><td>33</td><td>33</td><td>33</td><td>33</td></tr> <tr><td>10</td><td>52</td><td>38</td><td>29</td><td>51</td><td>38</td><td>29</td><td>36</td><td>29</td><td>29</td><td>29</td><td>29</td><td>29</td></tr> </tbody> </table>				EFFECTIVE FLOOR CAVITY REFLECTANCE 20 PER (pfc=0.20)										pfc =	20			50			70			80			Ceil													Wall	70	50	30	70	50	30	70	50	30	70	50	30	RCR													0	118	118	118	115	115	115	111	111	111	111	111	111	1	108	103	97	105	101	96	95	95	93	93	93	93	2	97	89	81	94	86	81	83	83	78	78	78	78	3	89	78	69	85	76	68	72	67	67	67	67	67	4	81	68	59	79	68	58	65	57	57	57	57	57	5	75	60	52	71	59	52	57	50	50	50	50	50	6	68	55	46	67	54	46	52	45	45	45	45	45	7	64	50	40	61	48	40	47	40	40	40	40	40	8	58	46	36	57	45	36	42	35	35	35	35	35	9	55	41	33	54	40	33	40	33	33	33	33	33	10	52	38	29	51	38	29	36	29	29	29	29	29
EFFECTIVE FLOOR CAVITY REFLECTANCE 20 PER (pfc=0.20)																																																																																																																																																																																																																
pfc =	20			50			70			80																																																																																																																																																																																																						
Ceil																																																																																																																																																																																																																
Wall	70	50	30	70	50	30	70	50	30	70	50	30																																																																																																																																																																																																				
RCR																																																																																																																																																																																																																
0	118	118	118	115	115	115	111	111	111	111	111	111																																																																																																																																																																																																				
1	108	103	97	105	101	96	95	95	93	93	93	93																																																																																																																																																																																																				
2	97	89	81	94	86	81	83	83	78	78	78	78																																																																																																																																																																																																				
3	89	78	69	85	76	68	72	67	67	67	67	67																																																																																																																																																																																																				
4	81	68	59	79	68	58	65	57	57	57	57	57																																																																																																																																																																																																				
5	75	60	52	71	59	52	57	50	50	50	50	50																																																																																																																																																																																																				
6	68	55	46	67	54	46	52	45	45	45	45	45																																																																																																																																																																																																				
7	64	50	40	61	48	40	47	40	40	40	40	40																																																																																																																																																																																																				
8	58	46	36	57	45	36	42	35	35	35	35	35																																																																																																																																																																																																				
9	55	41	33	54	40	33	40	33	33	33	33	33																																																																																																																																																																																																				
10	52	38	29	51	38	29	36	29	29	29	29	29																																																																																																																																																																																																				

G10L LED high bay

8000, 12000, 16000, 20000, 24000 lumens

Photometry

G10L LED high bay LED, 8000 nominal delivered lumens

LER - 153.48

Catalog No. G10L(P)4FT 08L UV840 OS DIM Test No. 37290 S/MH 1.3 Lamp Type LED Lumens 8840.5 Input Watts 58 Comparative yearly lighting energy cost per 1000 lumens – \$1.56 based on 3000 hrs. and \$.08 pwr KWH. The photometric results were obtained in the Day-Brite laboratory which is NVLAP accredited by the National Institute of Standards and Technology. Photometric values based on test performed in compliance with LM-79.	Candlepower					Light Distribution			Average Luminance																																																																																																																																																																					
		<table border="1"> <thead> <tr> <th>Angle</th> <th>End</th> <th>45</th> <th>Cross</th> <th>Back-45</th> </tr> </thead> <tbody> <tr><td>0</td><td>2899</td><td>2899</td><td>2899</td><td>2899</td></tr> <tr><td>5</td><td>2862</td><td>2889</td><td>2900</td><td>2889</td></tr> <tr><td>15</td><td>2789</td><td>2790</td><td>2792</td><td>2790</td></tr> <tr><td>25</td><td>2636</td><td>2616</td><td>2619</td><td>2616</td></tr> <tr><td>35</td><td>2398</td><td>2362</td><td>2361</td><td>2362</td></tr> <tr><td>45</td><td>2073</td><td>2041</td><td>2022</td><td>2041</td></tr> <tr><td>55</td><td>1660</td><td>1619</td><td>1608</td><td>1619</td></tr> <tr><td>65</td><td>1147</td><td>1144</td><td>1174</td><td>1144</td></tr> <tr><td>75</td><td>552</td><td>706</td><td>810</td><td>706</td></tr> <tr><td>85</td><td>76</td><td>190</td><td>150</td><td>190</td></tr> </tbody> </table>	Angle	End	45	Cross	Back-45	0	2899	2899	2899	2899	5	2862	2889	2900	2889	15	2789	2790	2792	2790	25	2636	2616	2619	2616	35	2398	2362	2361	2362	45	2073	2041	2022	2041	55	1660	1619	1608	1619	65	1147	1144	1174	1144	75	552	706	810	706	85	76	190	150	190	<table border="1"> <thead> <tr> <th>Degrees</th> <th>Lumens</th> <th>% Luminaire</th> </tr> </thead> <tbody> <tr><td>0-30</td><td>2272</td><td>25.7</td></tr> <tr><td>0-40</td><td>3754</td><td>42.5</td></tr> <tr><td>0-60</td><td>6776</td><td>76.6</td></tr> <tr><td>0-90</td><td>8840</td><td>100</td></tr> <tr><td>0-180</td><td>8842</td><td>100</td></tr> </tbody> </table>	Degrees	Lumens	% Luminaire	0-30	2272	25.7	0-40	3754	42.5	0-60	6776	76.6	0-90	8840	100	0-180	8842	100	<table border="1"> <thead> <tr> <th>Zone</th> <th>End</th> <th>45°</th> <th>Cross</th> </tr> </thead> <tbody> <tr><td>45</td><td>9066</td><td>8928</td><td>8845</td></tr> <tr><td>55</td><td>8953</td><td>8728</td><td>8673</td></tr> <tr><td>65</td><td>8391</td><td>8373</td><td>8590</td></tr> <tr><td>75</td><td>6592</td><td>8432</td><td>9677</td></tr> <tr><td>85</td><td>2679</td><td>6725</td><td>5323</td></tr> </tbody> </table>	Zone	End	45°	Cross	45	9066	8928	8845	55	8953	8728	8673	65	8391	8373	8590	75	6592	8432	9677	85	2679	6725	5323																																																																									
Angle	End	45	Cross	Back-45																																																																																																																																																																										
0	2899	2899	2899	2899																																																																																																																																																																										
5	2862	2889	2900	2889																																																																																																																																																																										
15	2789	2790	2792	2790																																																																																																																																																																										
25	2636	2616	2619	2616																																																																																																																																																																										
35	2398	2362	2361	2362																																																																																																																																																																										
45	2073	2041	2022	2041																																																																																																																																																																										
55	1660	1619	1608	1619																																																																																																																																																																										
65	1147	1144	1174	1144																																																																																																																																																																										
75	552	706	810	706																																																																																																																																																																										
85	76	190	150	190																																																																																																																																																																										
Degrees	Lumens	% Luminaire																																																																																																																																																																												
0-30	2272	25.7																																																																																																																																																																												
0-40	3754	42.5																																																																																																																																																																												
0-60	6776	76.6																																																																																																																																																																												
0-90	8840	100																																																																																																																																																																												
0-180	8842	100																																																																																																																																																																												
Zone	End	45°	Cross																																																																																																																																																																											
45	9066	8928	8845																																																																																																																																																																											
55	8953	8728	8673																																																																																																																																																																											
65	8391	8373	8590																																																																																																																																																																											
75	6592	8432	9677																																																																																																																																																																											
85	2679	6725	5323																																																																																																																																																																											
Coefficients of Utilization										EFFECTIVE FLOOR CAVITY REFLECTANCE 20 PER (pfc=0.20)																																																																																																																																																																				
<table border="1"> <thead> <tr> <th>pfc =</th> <th colspan="2">20</th> <th colspan="2"></th> <th colspan="2"></th> <th colspan="2"></th> <th colspan="2"></th> </tr> <tr> <th>Ceil</th> <th colspan="2">80</th> <th colspan="2">70</th> <th colspan="2">50</th> <th colspan="2">50</th> <th colspan="2"></th> </tr> <tr> <th>Wall</th> <th>70</th> <th>50</th> <th>30</th> <th>70</th> <th>30</th> <th>50</th> <th>30</th> <th>50</th> <th>30</th> <th></th> </tr> </thead> <tbody> <tr><td>RCR</td><td></td><td></td><td></td><td></td><td></td><td></td><td></td><td></td><td></td><td></td></tr> <tr><td>0</td><td>119</td><td>119</td><td>119</td><td>116</td><td>119</td><td>119</td><td>119</td><td>119</td><td>119</td><td></td></tr> <tr><td>1</td><td>108</td><td>103</td><td>99</td><td>105</td><td>101</td><td>96</td><td>96</td><td>96</td><td>93</td><td></td></tr> <tr><td>2</td><td>98</td><td>89</td><td>82</td><td>94</td><td>88</td><td>81</td><td>83</td><td>78</td><td>78</td><td></td></tr> <tr><td>3</td><td>89</td><td>78</td><td>70</td><td>86</td><td>77</td><td>68</td><td>73</td><td>67</td><td>67</td><td></td></tr> <tr><td>4</td><td>81</td><td>69</td><td>60</td><td>79</td><td>68</td><td>58</td><td>65</td><td>57</td><td>57</td><td></td></tr> <tr><td>5</td><td>75</td><td>62</td><td>52</td><td>72</td><td>59</td><td>52</td><td>57</td><td>51</td><td>51</td><td></td></tr> <tr><td>6</td><td>69</td><td>55</td><td>46</td><td>67</td><td>54</td><td>46</td><td>52</td><td>45</td><td>45</td><td></td></tr> <tr><td>7</td><td>64</td><td>50</td><td>41</td><td>61</td><td>48</td><td>40</td><td>47</td><td>40</td><td>40</td><td></td></tr> <tr><td>8</td><td>59</td><td>46</td><td>37</td><td>57</td><td>45</td><td>36</td><td>44</td><td>35</td><td>35</td><td></td></tr> <tr><td>9</td><td>56</td><td>42</td><td>34</td><td>54</td><td>40</td><td>33</td><td>40</td><td>33</td><td>33</td><td></td></tr> <tr><td>10</td><td>52</td><td>39</td><td>31</td><td>51</td><td>38</td><td>29</td><td>36</td><td>29</td><td>29</td><td></td></tr> </tbody> </table>										pfc =	20										Ceil	80		70		50		50				Wall	70	50	30	70	30	50	30	50	30		RCR											0	119	119	119	116	119	119	119	119	119		1	108	103	99	105	101	96	96	96	93		2	98	89	82	94	88	81	83	78	78		3	89	78	70	86	77	68	73	67	67		4	81	69	60	79	68	58	65	57	57		5	75	62	52	72	59	52	57	51	51		6	69	55	46	67	54	46	52	45	45		7	64	50	41	61	48	40	47	40	40		8	59	46	37	57	45	36	44	35	35		9	56	42	34	54	40	33	40	33	33		10	52	39	31	51	38	29	36	29	29	
pfc =	20																																																																																																																																																																													
Ceil	80		70		50		50																																																																																																																																																																							
Wall	70	50	30	70	30	50	30	50	30																																																																																																																																																																					
RCR																																																																																																																																																																														
0	119	119	119	116	119	119	119	119	119																																																																																																																																																																					
1	108	103	99	105	101	96	96	96	93																																																																																																																																																																					
2	98	89	82	94	88	81	83	78	78																																																																																																																																																																					
3	89	78	70	86	77	68	73	67	67																																																																																																																																																																					
4	81	69	60	79	68	58	65	57	57																																																																																																																																																																					
5	75	62	52	72	59	52	57	51	51																																																																																																																																																																					
6	69	55	46	67	54	46	52	45	45																																																																																																																																																																					
7	64	50	41	61	48	40	47	40	40																																																																																																																																																																					
8	59	46	37	57	45	36	44	35	35																																																																																																																																																																					
9	56	42	34	54	40	33	40	33	33																																																																																																																																																																					
10	52	39	31	51	38	29	36	29	29																																																																																																																																																																					

