

# CHLORIDE

by @ignify



## Exit/Emergency

Patron

LED die-cast aluminum wall light/unit



Project: \_\_\_\_\_  
 Location: \_\_\_\_\_  
 Cat.No: \_\_\_\_\_  
 Type: \_\_\_\_\_  
 Lamps: \_\_\_\_\_ Qty: \_\_\_\_\_  
 Notes: \_\_\_\_\_

### Example: PLEMBZ-BAC

Catalog Number	Operation	Volts	LED	Housing Finish	Lamp Type	Accessories (order separately)
PLACBZ	AC only		8-3W	Dark Bronze	700 Lumen Output	PLHTR Patron Heater Kit WG4 Wire Guard
PLEMBZ	EM only	6	8-3W	Dark Bronze	500 Lumen Output	Option BAC Buy American Compliant
PLEMW	EM only	6	8-3W	White	500 Lumen Output	
PLACEMBZ*	AC/EM	6	8-3W	Dark Bronze	700/500 Lumen Output	*AC mode for general lighting with an integral nicad battery for emergency illumination. **Must provide RAL# for custom color.
PLACEMW*	AC/EM	6	8-3W	White	700/500 Lumen Output	
PLACBZ-BAC	AC only	6	8-3W	Dark Bronze	700 Lumen Output	
PLACW-BAC	AC only	6	8-3W	White	700 Lumen Output	
PLACB-BAC	AC only	6	8-3W	Black	700 Lumen Output	
PLACTT-BAC	AC only	6	8-3W	Titanium	700 Lumen Output	
PLACCC-BAC**	AC only	6	8-3W	Custom Color	700 Lumen Output	
PLEMBZ-BAC	EM only	6	8-3W	Dark Bronze	500 Lumen Output	
PLEMW-BAC	EM only	6	8-3W	White	500 Lumen Output	
PLEMB-BAC	EM only	6	8-3W	Black	500 Lumen Output	
PLEMTT-BAC	EM only	6	8-3W	Titanium	500 Lumen Output	
PLEMCC-BAC**	EM only	6	8-3W	Custom Color	500 Lumen Output	
PLACEMBZ-BAC*	AC/EM	6	8-3W	Dark Bronze	700/500 Lumen Output	
PLACEMW-BAC*	AC/EM	6	8-3W	White	700/500 Lumen Output	
PLACEMB-BAC*	AC/EM	6	8-3W	Black	700/500 Lumen Output	
PLACEMTT-BAC*	AC/EM	6	8-3W	Titanium	700/500 Lumen Output	
PLACEMCC-BAC**	AC/EM	6	8-3W	Custom Color	700/500 Lumen Output	

### codes and standards

- ETL Listed to UL924 Standard
- ETL Listed to UL1598 for wet locations
- NFPA 70 (National Electric Code)
- NFPA 101 (Life Safety Code)
- "ARRA" Buy American Compliant (when -BAC suffix is specified)
- ADA Compliant
- LM-79 Compliant
- LM-80 Compliant

### construction

- Marine grade die cast aluminum housing with mirror reflector to provide excellent photometrics. UV Stable polycarbonate lens and neoprene gasket to protect from moisture and rain.
- Polyester powder coat for superior protection. Choice of white or dark bronze. Consult factory for custom finishes.
- Standard optics design provides a linear and forward throw light distribution pattern to meet most of the exterior egress code requirements to the public way.

### installation

- Universal J-box pattern on back or rigid conduit entry on top of housing for mounting flexibility

# PL Patron LED die-cast aluminum wall light/unit

---

## electronics

- The charger system includes low voltage disconnect to prevent deep discharge of battery. AC lockout to prevent battery drain prior to the energizing of utility power, and brownout protection which will automatically switch unit into emergency mode if the utility power sags below 80% of nominal. Solid-state, fully automatic charging circuit is protected with a moisture resistant coating. All units are provided with Self-Test/Self Diagnostics.
- 120/277VAC dual voltage input, selectable input.
- Patron LED available in AC only, Emergency only, and AC with integral ni-cad battery operation may be switched on or off to operate as a mini wall light providing 700 lumens in AC mode. AC with integral ni-cad battery and emergency only will provide 500 lumens in emergency mode.
- self-diagnostic/self-test

This feature provides automatic testing and continuous monitoring of the unit and indicates any faults via a dual-color LED lamp. The low-profile test button with easily visible status indicator is located beneath the lens.

This innovative circuitry monitors battery disconnection, charger failure, lamp failure and transformer fault every 5 seconds without discharging the battery or illuminating the lamps. It will automatically indicate lamp, battery, and charger status by dual-color LED lamp.

The LED lamp indicator shows the following status:

- Green - ON: Unit is ready.
- Blinking: Unit is self-testing.
- Red - Service Alert (see fault indications)

Fault Indications: (Red LED lamp indicator)

- One blink ON/pause 4 seconds: Battery not connected.
- Two blinks ON/pause 4 seconds: Battery is shorted or battery voltage drops below the accepted value.
- Three blinks ON/pause 4 seconds: Charger board circuit fault.
- Four blinks ON/pause 4 seconds: Transformer fault.
- Five blinks ON/pause 4 seconds: Lamp fault.

The unit will automatically initiate a self-test as follows:

- One minute self-test each month.
- 30 minute self-test on the 6th month following installation.
- 90 minute self-test on the 12th month following installation.

Manual testing of the unit can be accomplished by pressing the test button as follows:

- Once - 1 minute test
- Twice - 5 minute test
- Three - 30 minute test
- Four - 90 minute test

## lamps

- 8-3W LED lamps provide 700 lumens in the AC mode and the same LEDs provide 500 initial lumens in the emergency mode. If one LED lamp fails, the remaining stay illuminated. Color temperature is 4500K and provides over 50,000 hours of life in normal usage.

## battery

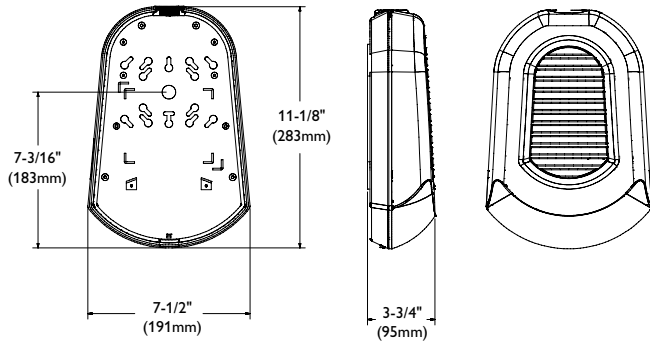
- AC with integral ni-cad battery and emergency units contain a 6V maintenance free sealed nickel cadmium battery with an expected service life of 8-12 years and an operating temperature of -4°F (-20°C) to 122°F (50°C). Units with a battery provide a minimum of 90 minutes emergency illumination. Units with a heater will operate in temperatures as low as -20°F (-29°C).

## warranty

- Five full year warranty on units

# PL Patron LED die-cast aluminum wall light/unit

## dimensions



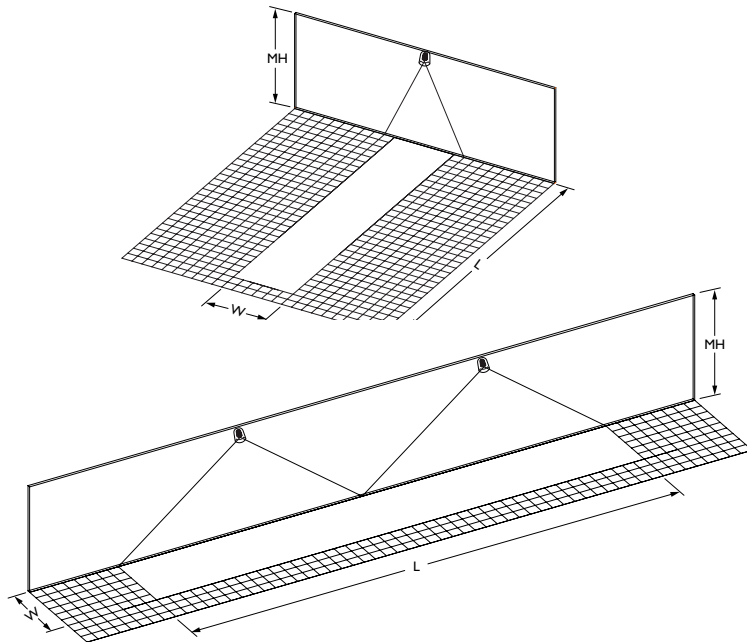
## photometrics

Meets Life Safety Code standard minimum illuminance of 0.1 FC and average illuminance of 1.0 FC. Indoor performance based on 80/50/20 reflectance and assumes open space with no obstructions. Refer to charts for mounting height. Add 1' to mounting height for ceiling height. Outdoor performance based on 0/30/10 reflectance. Analysis based on independently tested photometrics.

Reflectance
Indoor: 80/50/20
Outdoor: 0/30/10

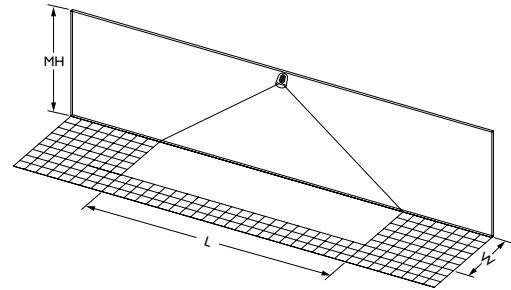
### Single Unit Forward Path of Egress

	MH	W	L	Average Footcandle
	Mounting Height	Path of Egress		
		Width	Length	
Outdoor	10'	6'	24'	2.35
	12'	6'	27'	1.78
	14'	6'	37'	1.11



### Single Unit

	MH	W	L	Average Footcandle
	Mounting Height	Path of Egress		
		Width	Length	
Indoor	9'	10'	41'	1.22
	11'	6'	43'	1.25
Outdoor	9'	10'	39'	1.17
	11'	6'	41'	1.20



### Two Units Center-to-Center Spacing

	MH	W	L	Average Footcandle
	Mounting Height	Path of Egress		
		Width	Length	
Indoor	8'	6'	49'	1.76
	11'	6'	62'	1.04
	11'	10'	47'	1.07
	14'	6'	54'	1.17
Outdoor	9'	6'	43'	1.55
	11'	6'	55'	1.00
	11'	10'	42'	1.00
	14'	6'	40'	1.14

