

Project: \_\_\_\_\_

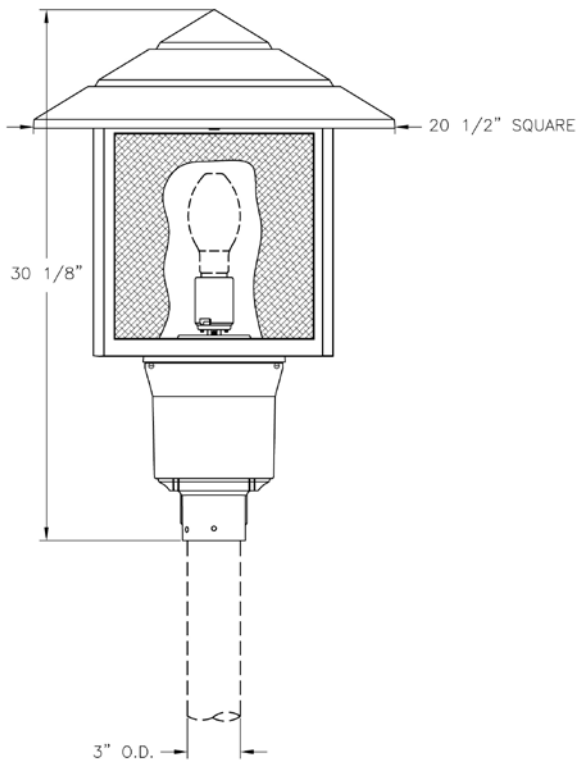
Location: \_\_\_\_\_

Cat.No: \_\_\_\_\_

Type: \_\_\_\_\_

Lamps: \_\_\_\_\_ Qty: \_\_\_\_\_

Notes: \_\_\_\_\_



### Ordering Guide

Example: 28738 ABS A D 50H E B B D

Product Code	28738	Indian Wells
<b>Finish</b>	ABS ACP ARD ASI BLK BRN BRZ FGN GRA IRN RBZ SRT VBZ VCP VGN VTC WBZ WHT	Antique Brass Antique Copper Antique Red Antique Silver Black Brown Bronze Forest Green Granite Ironstone Rustic Bronze Shadow Rust Verde Bronze Verde Copper Verde Vintage Copper Weathered Bronze White
<b>Panel/Globe</b>	A B C D E M P Q	Clear Acrylic Opal Acrylic Clear Seeded Acrylic Bronze Tone Acrylic Clear Textured Acrylic Opal Polycarbonate Clear Polycarbonate Prismatic Polycarbonate
<b>Socket</b>	D G L R	Medium Mogul LED Induction
<b>Wattage/Source</b>	50H 70H 100H 150H 250H 35S 50S 70S 100S 150S 250S 200I 55R 85R 165R LED	50W MH 70W MH 100W MH 150W MH 250W MH 35W HPS 50W HPS 70W HPS 100W HPS 150W HPS 250W HPS 200W INC 55W Induction 85W Induction 165W Induction LED
<b>Voltage</b>	E F G H	120V 208V 240V 277V

# 28738 Indian Wells

## Post top

### Ordering Guide

Example: 28738 ABS A D 50H E B B D

<b>Distribution</b>	B	6" Type V Distrib.
	C	6" Type III Distrib.
	D	8" Type V Distrib.
	E	8" Type II Distrib.
	N	None
<b>Photoeye</b>	B	Button Eye *1
	N	None
<b>Cage</b>	D	Decorative
	T	Traditional (open)

\*1 Button Eye (B) only available in 120V (E).

### Specifications

#### CONSTRUCTION:

Cast aluminum square roof. Five-piece cast aluminum square cage securely welded together to form a one-piece unit. Cast aluminum post fitter slips over 3" O.D. post or tenon.

#### FINISH:

Resilient TGIC thermoset polyester powdercoat paint is electrostatically applied to every fixture. Specially formulated for Philips Outdoor Lighting, it provides UV protection, and the highest temperature rating in the industry. In addition to the standard color choices shown, a spectrum of custom colors is available.

#### PANELS/LENS/GLOBE:

See lenses for available options.

#### LAMPING:

Lamp is not included.

#### ELECTRICAL ASSEMBLY:

Lantern will be prewired and tested. All electrical components are ETL listed.

#### BALLAST:

Ballast and component parts mounted inside three-piece cast aluminum moisture proof ballast compartment with hinged access door and slide-out ballast tray. (Customer must specify wattage and voltage.)

#### MOUNTING:

Fixture mounts to 3" dia. post or tenon.

#### WARRANTY:

Three-year limited warranty.

#### CERTIFICATIONS:

ETL Listed to U.S. safety standards for wet locations. cETL Listed to Canadian safety standards for wet locations.

#### Height:

31"

#### Width:

21 1/2"

#### Fitter:

3" I.D.

#### EPA:

2.17

#### Max. Weight:

44 lbs.

