

INSTRUCTIONS FOR ASSEMBLING PLASTER RING TO 2002 FRAME-IN-KIT

Insert each TAB on PLASTER RING into three SLOTS in MOUNTING FRAME (Fig. 1 and 2) until all three TABS engage MOUNTING FRAME (Fig. 3).

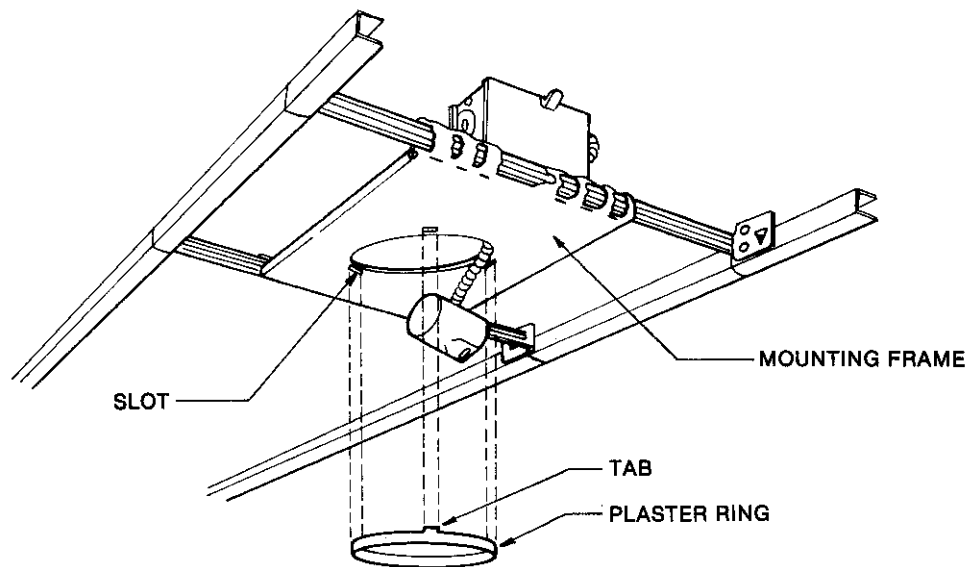


FIG. 1

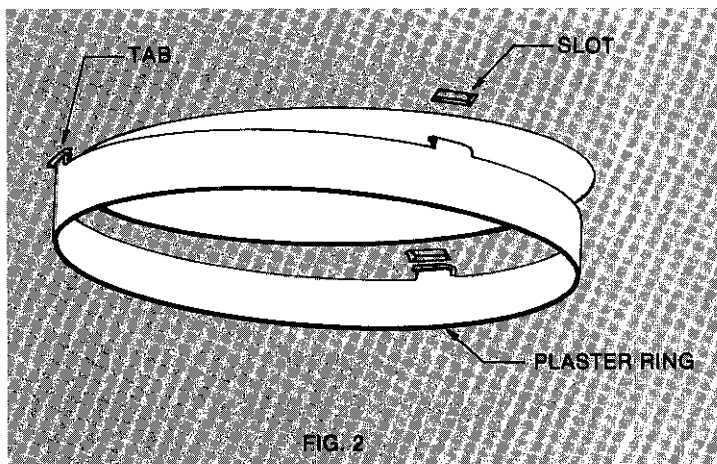


FIG. 2

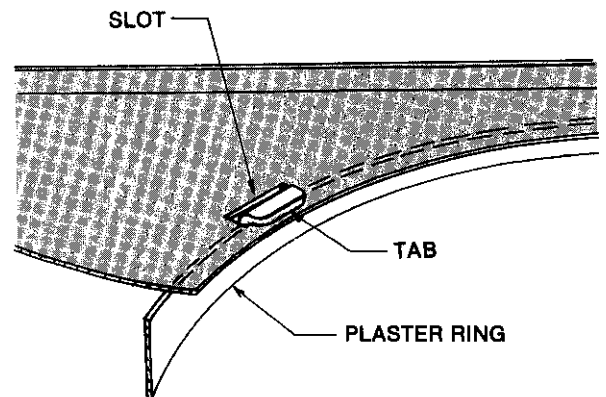


FIG. 3