



TruGroove cove offers a highly controlled asymmetric light throw, evenly lighting the space and ceiling, not the wall and pocket. This creates a smoothly illuminated low-glare environment with a "quiet" ceiling, free of striations. By adjusting installation angles you can determine your distribution, and multiple lumen-package choices help you direct the right amount of light within your space.

Project: _____

Location: _____

Cat.No: _____

Type: _____

Qty: _____

Notes: _____

Ordering guide

Example: TC08L83540WN067DE

| Family | Source | CRI/CCT ¹ | Lumens ¹ | Optics & Housing | Module Size | Wiring ² | Voltage | Driver |
|---------------------|----------------|------------------------------|------------------------------------|---|-------------|--|---|--------------------------|
| TC08 | L | | | | | | | |
| TC08 TruGroove cove | L LED | 850 80CRI/5000K | 60 6000 lm/4ft | WN Focus Optics (Miro Silver) LN Fill Optics (White Reflector) | 02 2ft | 7 1cct Dimming M 1cct Dimming + Aux Wiring N 1cct Dimming + Battery Pack | D UNV 120-277V 3 347V | E Advance 0-10V (1% dim) |
| | | 840 80CRI/4000K | 50 5000 lm/4ft | | C2 2.5ft | | | |
| | | 835 80CRI/3500K | 40 4000 lm/4ft | | 03 3ft | | | |
| | | 830 80CRI/3000K | 30 3000 lm/4ft | | C3 3.5ft | | | |
| | | 827 80CRI/2700K | 25 2500 lm/4ft | | 04 4ft | | | |
| | | 935 90CRI/3500K ³ | 20 2000 lm/4ft | | 05 5ft | | | |
| | | | 15 1500 lm/4ft | | 06 6ft | | | |
| | 10 1000 lm/4ft | 08 8ft | | | | | | |
| | | | xx Continuous Run (6in Increments) | | | D UNV 120-277V | H Lutron EcoSystem LDE1 D Advance DALI (5% Dim) ⁴ | |

Footnotes:

- Nominal values within a range. Consult photometry data for CRI, color temp, lumens & distribution of chosen configuration.
- Not all wiring types are available with all configurations. Battery Packs are available in the 4, 5, 6, and 8ft module sizes. Consult Ledalite for a complete list of available options.
- CRI90 / 3500K option not available with the 6000lm/4ft lumen package.
- The Advance DALI Driver is not available with the 1000lm/4ft and 1500lm/4ft lumen packages, and the 2ft and 2.5ft module sizes.

TruGroove cove

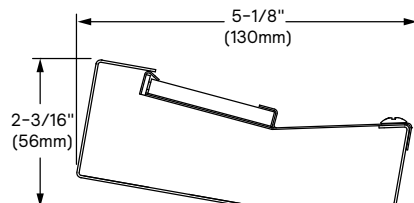
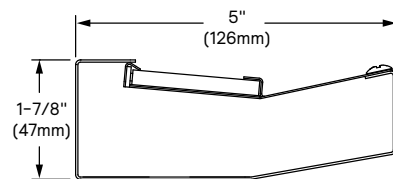
Options and details

Performance summary

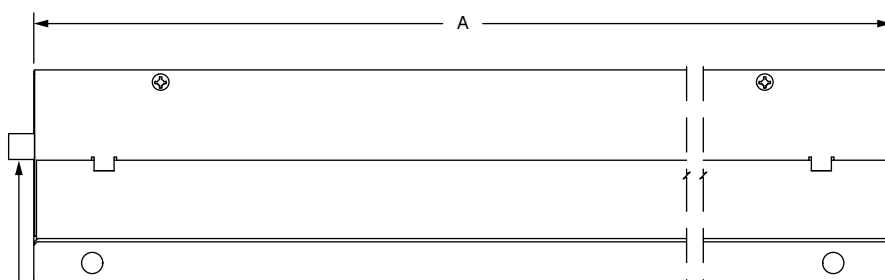
| | LED Output (lm/ft) | | | | | | | | | | | | | | | |
|-----------------|--------------------|-----|-------|-----|-------|-----|-------|-----|-------|-----|--------|-----|--------|------|--------|-----|
| | 250lm | | 375lm | | 500lm | | 625lm | | 750lm | | 1000lm | | 1250lm | | 1500lm | |
| CRI* | 83 | 93 | 83 | 93 | 83 | 93 | 83 | 93 | 83 | 93 | 83 | 93 | 83 | 93 | 83 | N/A |
| Energy (W/ft) | 2.2 | 2.5 | 2.9 | 3.5 | 3.7 | 4.6 | 4.6 | 5.8 | 5.7 | 7.0 | 7.6 | 9.7 | 9.8 | 12.6 | 12.2 | N/A |
| Efficacy (lm/W) | 120 | 101 | 132 | 108 | 137 | 112 | 140 | 108 | 136 | 108 | 135 | 104 | 131 | 100 | 127 | N/A |

*80CRI values based on 4000K CCT; 90CRI values based on 3500K CCT, both with Focus Optics (WN)

Cross section



Lengths and dimensions

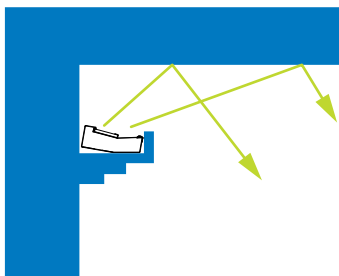


Joint aligner tab extends module size by 7/8" and is inserted in an adjoining module to ensure alignment of TruGroove Cove in a linear run

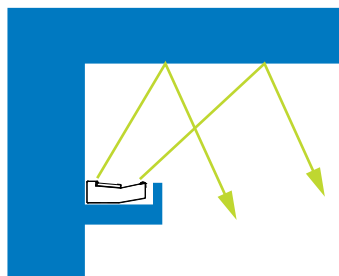
| Module size | Actual length (A) |
|-------------|-------------------|
| 2 ft | 24-3/8" |
| 2.5 ft | 30-1/4" |
| 3 ft | 36-1/8" |
| 3.5 ft | 42-1/16" |
| 4 ft | 48" |
| 5 ft | 60-1/2" |
| 6 ft | 72-5/16" |
| 8 ft | 96" |

Mounting options

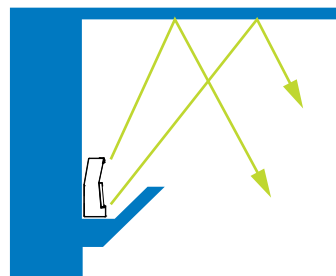
TruGroove Cove has the ability to be mounted in both horizontal and vertical planes, with or without an additional 10° tilt. No fine tuning of the optics required.



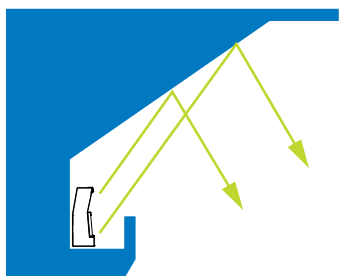
Flat ceiling: small drop distance



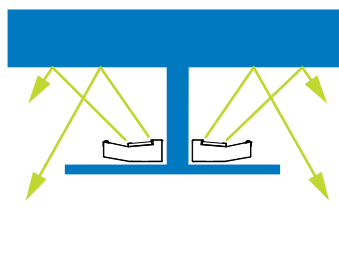
Flat ceiling: medium drop distance



Flat ceiling: large drop distance



Sloped or vaulted ceiling

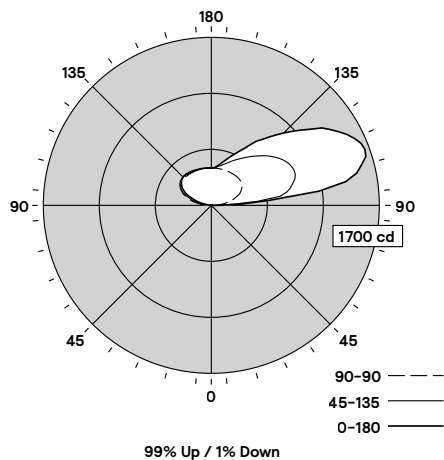


Floating ceiling

TruGroove cove

Focus Optics with Miro Silver (WN)

| Lumen Package | Nominal CRI & CCT | Flux (lm) | Watts (W) | Efficacy (lm/W) | CRI | R9 | RP-1 VDT | Photometry Report | IES File |
|---------------|-------------------|---------------------------|-----------|-----------------|-----|----|-----------------|-------------------|----------|
| 6000 lm/4ft | 80CRI, 5000K | 6220 | 48.7 | 127.7 | 83 | 15 | Critical spaces | PDF | IES |
| | 80CRI, 4000K | 6159 | 48.7 | 126.5 | 83 | 13 | Critical spaces | PDF | IES |
| | 80CRI, 3500K | 6039 | 48.7 | 124.0 | 82 | 9 | Critical spaces | PDF | IES |
| | 80CRI, 3000K | 5876 | 48.7 | 120.7 | 83 | 9 | Critical spaces | PDF | IES |
| | 80CRI, 2700K | 5556 | 48.7 | 114.1 | 82 | 7 | Critical spaces | PDF | IES |
| | 90CRI, 3500K | Unavailable configuration | | | | | | | |
| 5000 lm/4ft | 80CRI, 5000K | 5167 | 39.1 | 132.1 | 83 | 15 | Critical spaces | PDF | IES |
| | 80CRI, 4000K | 5117 | 39.1 | 130.9 | 83 | 13 | Critical spaces | PDF | IES |
| | 80CRI, 3500K | 5017 | 39.1 | 128.3 | 82 | 9 | Critical spaces | PDF | IES |
| | 80CRI, 3000K | 4881 | 39.1 | 124.8 | 83 | 9 | Critical spaces | PDF | IES |
| | 80CRI, 2700K | 4615 | 39.1 | 118.0 | 82 | 7 | Critical spaces | PDF | IES |
| | 90CRI, 3500K | 5015 | 50.3 | 99.7 | 93 | 66 | Critical spaces | PDF | IES |
| 4000 lm/4ft | 80CRI, 5000K | 4143 | 30.5 | 135.8 | 83 | 15 | Critical spaces | PDF | IES |
| | 80CRI, 4000K | 4103 | 30.5 | 134.5 | 83 | 13 | Critical spaces | PDF | IES |
| | 80CRI, 3500K | 4022 | 30.5 | 131.9 | 82 | 9 | Critical spaces | PDF | IES |
| | 80CRI, 3000K | 3914 | 30.5 | 128.3 | 83 | 9 | Critical spaces | PDF | IES |
| | 80CRI, 2700K | 3700 | 30.5 | 121.3 | 82 | 7 | Critical spaces | PDF | IES |
| | 90CRI, 3500K | 4021 | 38.7 | 103.9 | 93 | 66 | Critical spaces | PDF | IES |
| 3000 lm/4ft | 80CRI, 5000K | 3127 | 22.8 | 137.1 | 83 | 15 | Critical spaces | PDF | IES |
| | 80CRI, 4000K | 3097 | 22.8 | 135.8 | 83 | 13 | Critical spaces | PDF | IES |
| | 80CRI, 3500K | 3036 | 22.8 | 133.2 | 82 | 9 | Critical spaces | PDF | IES |
| | 80CRI, 3000K | 2954 | 22.8 | 129.6 | 83 | 9 | Critical spaces | PDF | IES |
| | 80CRI, 2700K | 2793 | 22.8 | 122.5 | 82 | 7 | Critical spaces | PDF | IES |
| | 90CRI, 3500K | 3000 | 27.9 | 107.5 | 93 | 66 | Critical spaces | PDF | IES |
| 2500 lm/4ft | 80CRI, 5000K | 2575 | 18.2 | 141.5 | 83 | 15 | Critical spaces | PDF | IES |
| | 80CRI, 4000K | 2550 | 18.2 | 140.1 | 83 | 13 | Critical spaces | PDF | IES |
| | 80CRI, 3500K | 2500 | 18.2 | 137.4 | 82 | 9 | Critical spaces | PDF | IES |
| | 80CRI, 3000K | 2433 | 18.2 | 133.7 | 83 | 9 | Critical spaces | PDF | IES |
| | 80CRI, 2700K | 2300 | 18.2 | 126.4 | 82 | 7 | Critical spaces | PDF | IES |
| | 90CRI, 3500K | 2504 | 23.1 | 108.4 | 93 | 66 | Critical spaces | PDF | IES |
| 2000 lm/4ft | 80CRI, 5000K | 2058 | 14.9 | 138.1 | 83 | 15 | Critical spaces | PDF | IES |
| | 80CRI, 4000K | 2038 | 14.9 | 136.8 | 83 | 13 | Critical spaces | PDF | IES |
| | 80CRI, 3500K | 1998 | 14.9 | 134.1 | 82 | 9 | Critical spaces | PDF | IES |
| | 80CRI, 3000K | 1944 | 14.9 | 130.5 | 83 | 9 | Critical spaces | PDF | IES |
| | 80CRI, 2700K | 1838 | 14.9 | 123.4 | 82 | 7 | Critical spaces | PDF | IES |
| | 90CRI, 3500K | 2037 | 18.2 | 111.9 | 93 | 66 | Critical spaces | PDF | IES |
| 1500 lm/4ft | 80CRI, 5000K | 1543 | 11.6 | 133.0 | 83 | 15 | Critical spaces | PDF | IES |
| | 80CRI, 4000K | 1528 | 11.6 | 131.7 | 83 | 13 | Critical spaces | PDF | IES |
| | 80CRI, 3500K | 1498 | 11.6 | 129.1 | 82 | 9 | Critical spaces | PDF | IES |
| | 80CRI, 3000K | 1457 | 11.6 | 125.6 | 83 | 9 | Critical spaces | PDF | IES |
| | 80CRI, 2700K | 1378 | 11.6 | 118.8 | 82 | 7 | Critical spaces | PDF | IES |
| | 90CRI, 3500K | 1507 | 13.9 | 108.4 | 93 | 66 | Critical spaces | PDF | IES |
| 1000 lm/4ft | 80CRI, 5000K | 1056 | 8.7 | 121.4 | 83 | 15 | Critical spaces | PDF | IES |
| | 80CRI, 4000K | 1046 | 8.7 | 120.2 | 83 | 13 | Critical spaces | PDF | IES |
| | 80CRI, 3500K | 1025 | 8.7 | 117.8 | 82 | 9 | Critical spaces | PDF | IES |
| | 80CRI, 3000K | 998 | 8.7 | 114.7 | 83 | 9 | Critical spaces | PDF | IES |
| | 80CRI, 2700K | 943 | 8.7 | 108.4 | 82 | 7 | Critical spaces | PDF | IES |
| | 90CRI, 3500K | 1013 | 10.0 | 101.3 | 93 | 66 | Critical spaces | PDF | IES |

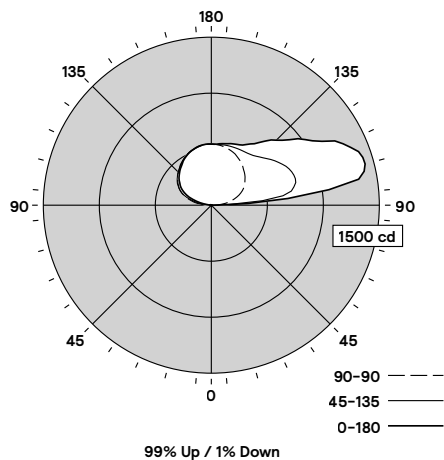


*Photometric data shown is for 3000 lm/4ft, 4000K, 80 CRI configuration with Focus Optics

TruGroove cove

Fill Optics with white reflectors (LN)

| Lumen Package | Nominal CRI & CCT | Flux (lm) | Watts (W) | Efficacy (lm/W) | CRI | R9 | RP-1 VDT | Photometry Report | IES File |
|---------------|-------------------|---------------------------|-----------|-----------------|-----|----|-----------------|-------------------|----------|
| 6000 lm/4ft | 80CRI, 5000K | 5909 | 48.7 | 121.3 | 83 | 15 | Critical spaces | PDF | IES |
| | 80CRI, 4000K | 5851 | 48.7 | 120.1 | 83 | 13 | Critical spaces | PDF | IES |
| | 80CRI, 3500K | 5737 | 48.7 | 117.8 | 82 | 9 | Critical spaces | PDF | IES |
| | 80CRI, 3000K | 5582 | 48.7 | 114.6 | 83 | 9 | Critical spaces | PDF | IES |
| | 80CRI, 2700K | 5278 | 48.7 | 108.4 | 82 | 7 | Critical spaces | PDF | IES |
| | 90CRI, 3500K | Unavailable configuration | | | | | | | |
| 5000 lm/4ft | 80CRI, 5000K | 4909 | 39.1 | 125.5 | 83 | 15 | Critical spaces | PDF | IES |
| | 80CRI, 4000K | 4861 | 39.1 | 124.3 | 83 | 13 | Critical spaces | PDF | IES |
| | 80CRI, 3500K | 4766 | 39.1 | 121.9 | 82 | 9 | Critical spaces | PDF | IES |
| | 80CRI, 3000K | 4637 | 39.1 | 118.6 | 83 | 9 | Critical spaces | PDF | IES |
| | 80CRI, 2700K | 4385 | 39.1 | 112.1 | 82 | 7 | Critical spaces | PDF | IES |
| | 90CRI, 3500K | 4764 | 50.3 | 94.7 | 93 | 66 | Critical spaces | PDF | IES |
| 4000 lm/4ft | 80CRI, 5000K | 3936 | 30.5 | 129.0 | 83 | 15 | Critical spaces | PDF | IES |
| | 80CRI, 4000K | 3897 | 30.5 | 127.8 | 83 | 13 | Critical spaces | PDF | IES |
| | 80CRI, 3500K | 3821 | 30.5 | 125.3 | 82 | 9 | Critical spaces | PDF | IES |
| | 80CRI, 3000K | 3718 | 30.5 | 121.9 | 83 | 9 | Critical spaces | PDF | IES |
| | 80CRI, 2700K | 3515 | 30.5 | 115.2 | 82 | 7 | Critical spaces | PDF | IES |
| | 90CRI, 3500K | 3820 | 38.7 | 98.7 | 93 | 66 | Critical spaces | PDF | IES |
| 3000 lm/4ft | 80CRI, 5000K | 2971 | 22.8 | 130.3 | 83 | 15 | Critical spaces | PDF | IES |
| | 80CRI, 4000K | 2942 | 22.8 | 129.0 | 83 | 13 | Critical spaces | PDF | IES |
| | 80CRI, 3500K | 2884 | 22.8 | 126.5 | 82 | 9 | Critical spaces | PDF | IES |
| | 80CRI, 3000K | 2807 | 22.8 | 123.1 | 83 | 9 | Critical spaces | PDF | IES |
| | 80CRI, 2700K | 2654 | 22.8 | 116.4 | 82 | 7 | Critical spaces | PDF | IES |
| | 90CRI, 3500K | 2850 | 27.9 | 102.2 | 93 | 66 | Critical spaces | PDF | IES |
| 2500 lm/4ft | 80CRI, 5000K | 2446 | 18.2 | 134.4 | 83 | 15 | Critical spaces | PDF | IES |
| | 80CRI, 4000K | 2423 | 18.2 | 133.1 | 83 | 13 | Critical spaces | PDF | IES |
| | 80CRI, 3500K | 2375 | 18.2 | 130.5 | 82 | 9 | Critical spaces | PDF | IES |
| | 80CRI, 3000K | 2311 | 18.2 | 127.0 | 83 | 9 | Critical spaces | PDF | IES |
| | 80CRI, 2700K | 2185 | 18.2 | 120.1 | 82 | 7 | Critical spaces | PDF | IES |
| | 90CRI, 3500K | 2378 | 23.1 | 102.9 | 93 | 66 | Critical spaces | PDF | IES |
| 2000 lm/4ft | 80CRI, 5000K | 1955 | 14.9 | 131.2 | 83 | 15 | Critical spaces | PDF | IES |
| | 80CRI, 4000K | 1936 | 14.9 | 129.9 | 83 | 13 | Critical spaces | PDF | IES |
| | 80CRI, 3500K | 1898 | 14.9 | 127.4 | 82 | 9 | Critical spaces | PDF | IES |
| | 80CRI, 3000K | 1847 | 14.9 | 124.0 | 83 | 9 | Critical spaces | PDF | IES |
| | 80CRI, 2700K | 1746 | 14.9 | 117.2 | 82 | 7 | Critical spaces | PDF | IES |
| | 90CRI, 3500K | 1935 | 18.2 | 106.3 | 93 | 66 | Critical spaces | PDF | IES |
| 1500 lm/4ft | 80CRI, 5000K | 1466 | 11.6 | 126.4 | 83 | 15 | Critical spaces | PDF | IES |
| | 80CRI, 4000K | 1451 | 11.6 | 125.1 | 83 | 13 | Critical spaces | PDF | IES |
| | 80CRI, 3500K | 1423 | 11.6 | 122.7 | 82 | 9 | Critical spaces | PDF | IES |
| | 80CRI, 3000K | 1385 | 11.6 | 119.4 | 83 | 9 | Critical spaces | PDF | IES |
| | 80CRI, 2700K | 1309 | 11.6 | 112.8 | 82 | 7 | Critical spaces | PDF | IES |
| | 90CRI, 3500K | 1432 | 13.9 | 103.0 | 93 | 66 | Critical spaces | PDF | IES |
| 1000 lm/4ft | 80CRI, 5000K | 1003 | 8.7 | 115.3 | 83 | 15 | Critical spaces | PDF | IES |
| | 80CRI, 4000K | 993 | 8.7 | 114.1 | 83 | 13 | Critical spaces | PDF | IES |
| | 80CRI, 3500K | 974 | 8.7 | 112.0 | 82 | 9 | Critical spaces | PDF | IES |
| | 80CRI, 3000K | 948 | 8.7 | 109.0 | 83 | 9 | Critical spaces | PDF | IES |
| | 80CRI, 2700K | 896 | 8.7 | 103.0 | 82 | 7 | Critical spaces | PDF | IES |
| | 90CRI, 3500K | 963 | 10.0 | 96.3 | 93 | 66 | Critical spaces | PDF | IES |



*Photometric data shown is for 3000 lm/4ft, 4000K, 80 CRI configuration with Fill Optics

TruGroove cove

Optical system

The optical system contains arrays of LEDs edge lighting a low profile light guide panel, using total internal reflection to homogenize the sources. The microstructure surface of the light guide optimizes light extraction to create a controlled yet efficacious indirect asymmetric distribution.

Construction

- Housing: 20 Gauge CRS
- Luminaire Weight: Maximum 2.9lbs/ft
- High quality satin coat finish

Standard drivers

- Advance Xitanium 0-10V, 1-100%.
- Advance Xitanium DALI, 5-100%
- Lutron EcoSystem LDE1, 1-100% with Soft-on, Fade-to-Black
- Constant Current Class 2 rated output.
- Consult Ledalite for other available drivers.
- Power Factor: >0.90
- Total Harmonic Distortion: <20%

Standard battery pack

Bodine, 90 min, 10W, Class 2 rated output.

Battery Pack lumen output = 10W x luminaire efficacy x 1.1.

Typical output: 1300lm.

Lumen maintenance

LEDs have been tested by the manufacturer in accordance with IESNA LM-80-08. At an ambient temperature of 25°C, the LED lumen maintenance expectation according to IES TM-21-11 is:

L_{80} (10k) >84,000 hours (reported methodology).

Source color

LEDs rated for color rendering CRI >80, R9 >0 and fixture to fixture color accuracy within 2 SDCM. Available 90 CRI option is rated for CRI >90, and R9 >50.

Mounting

Product can be mounting horizontally or vertically to focus the light throw in the correct orientation for the space. Fasteners supplied by others.

Validation

Luminaires are certified for safety to UL1598 and CSA C22.2 No.250.0 and comply with EMC regulations: FCC Part 15 and IEC60598-1 Issue 5.

Environment

Rated for dry or damp locations in operating ambient temperatures 0-30°C (32-104°F). Certain luminaire components may be adversely affected by contaminants. Damage caused by sulfur, chlorine, petroleum based solutions or other contaminants are not covered under warranty. Not suitable for natatorium environments.

Warranty

Five-year luminaire limited warranty including LED boards.

www.signify.com/warranties

The information presented in this document is not intended as any commercial offer and does not form part of any quotation or contract.



© 2019 Signify Holding. All rights reserved. The information provided herein is subject to change, without notice. Signify does not give any representation or warranty as to the accuracy or completeness of the information included herein and shall not be liable for any action in reliance thereon. The information presented in this document is not intended as any commercial offer and does not form part of any quotation or contract, unless otherwise agreed by Signify. All trademarks are owned by Signify Holding or their respective owners.

Signify North America Corporation
200 Franklin Square Drive,
Somerset, NJ 08873
Telephone 855-486-2216

Signify Canada Ltd.
281 Hillmount Road,
Markham, ON, Canada L6C 2S3
Telephone 800-668-9008