

**INSTRUCTIONS FOR ATTACHING TO TRACK (SINGLE CIRCUIT)
 FOR USE WITH LYTESPAN / FAST TRACK ONLY**

1. INSERT FITTING INTO THE TRACK, LOCKING LEVER SAME SIDE OF TRACK AS BEAD (FIG. 1).
2. ROTATE FITTING 90° CLOCKWISE UNTIL SNAPS AND LOCKS IN PLACE (FIG. 2 ET 3).
3. TO REMOVE: DEPRESS LOCKING LEVER, THEN ROTATE 90° COUNTER CLOCKWISE.

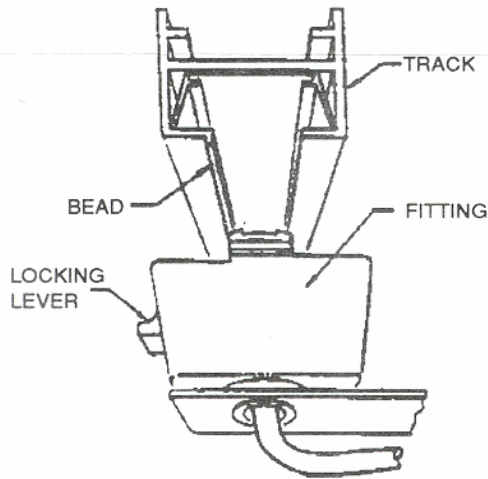


FIG. 1

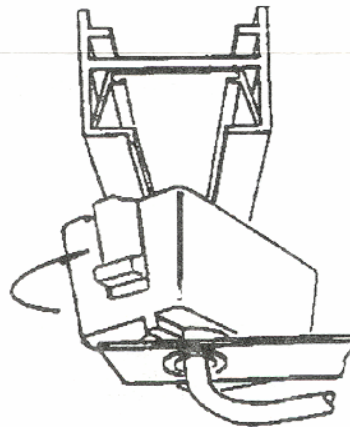


FIG. 2

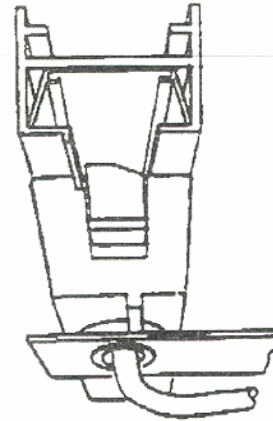


FIG. 3

**INSTRUCTIONS FOR CONVERTING FITTING TO OPERATE
 ON 2 CIRCUIT TRACK SYSTEMS**

BRASS CONTACT CAN BE RAISED OR LOWERED. BROKEN LINE INDICATES POSITION FOR SINGLE CIRCUIT AND RAISED POSITION INDICATES 2 CIRCUIT TRACK SYSTEM (FIG. 4).

TO CONVERT ATTACHEMENT FITTING FOR UPPER CIRCUIT OF 2 CIRCUIT TRACK, RAISE BRASS CONTACT TO HIGH POSITION BY LIFTING CONTACT AS HIGH AS STOP PERMITS AND CONTACT CLICKS INTO PLACE.

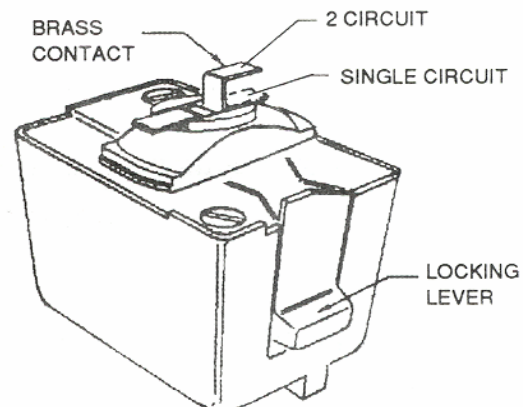


FIG. 4