

Day-Brite

CFI

by Signify

Special Application

2-in-1 bracket

Cleanroom
T8, T5 or T5HO



Project: _____
 Location: _____
 Cat.No: _____
 Type: _____
 Lamps: _____ Qty: _____
 Notes: _____

The Day-Brite / CFI 2-in-1 bracket is a low pressure hosedown, corner mount luminaire designed to be used in applications such as cleanrooms, showers, stairwells, and pedestrian tunnels.

Ordering guide

Example: TAK6281T81-EB

Family	Size-Lamps	Voltage	Ballast Type	Options
TAK		—	EB —	
TAK 2-in-1 Bracket	6280T8 2' 2F17 6281T8 4' 2F32 6295T5 4' 2F28 6297T5HO 4' 2F54	U Universal voltage, 120-277V 1 120V 2 277V 3 347V	EB Electronic ballast, <10% THD, std. ballast factor	GLR Fusing, Fast Blow GMF Fusing, Slow Blow TP Tamper Proof Screws SS Brushed 304 Stainless Steel Body INVLS Lens furnished with smooth side out SSD Brushed 304 Stainless Steel Door E7 B60 emerg. ballast, T8, 600-700 lumens, 120/277V E5 B50 emerg. ballast, U.S. or Canada market, T8, 1100-1400 lumens, UNV

General Notes

- Many luminaire components, such as reflectors, refractors, lenses, sockets, lampholders, and LEDs are made from various types of plastics which can be adversely affected by airborne contaminants. If sulfur based chemicals, petroleum based products, cleaning solutions, or other contaminants are expected in the intended area of use, consult factory for compatibility.

TAK 2-in-1 bracket corner mount luminaire

Cleanroom, T8, T5 or T5HO

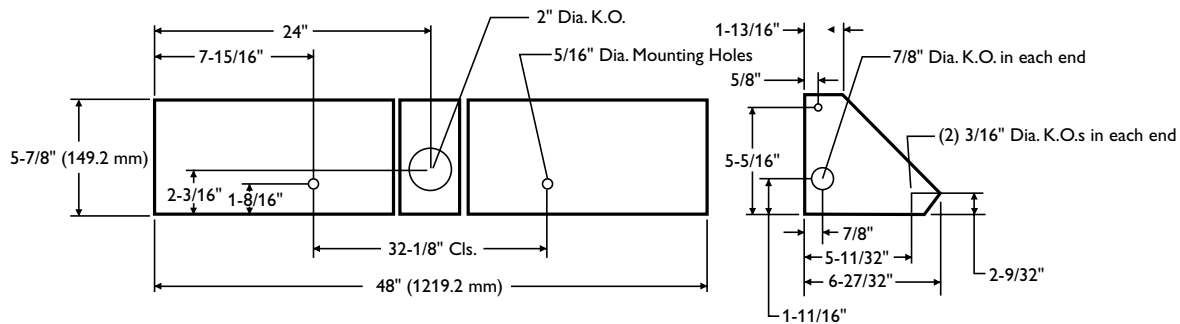
Standards

- Certified to meet UL 1598 standards for damp location.

Construction/Finish

- Body is 20ga CRS with exposed joints hermetically sealed with silicone to resist abuse and stand up to cleanroom applications.
- Lens is .125" thick clear prismatic acrylic and hermetically sealed in heavy duty door frame with silicone.
- Door frame is clamped to body by captive stainless steel screws and sealed to housing with a closed cell polyethylene gasket to prevent the harboring or production of any contaminants within the gasket.
- Door frame is supported by safety chains during re-lamping.
- HPF electronic ballast is standard.

Dimensions



Note: For technical information or codes and classifications, see PDFs Tech1-Tech5 online.



Some luminaires use fluorescent or high intensity discharge (HID) lamps that contain small amounts of mercury. Such lamps are labeled, "Contain Mercury" and/or the symbol "HG". Lamps that contain mercury must be disposed of in accordance with local requirements. Information regarding lamp recycling and disposal can be found at www.lamprecycle.org

